

Danbury® Technical Specification

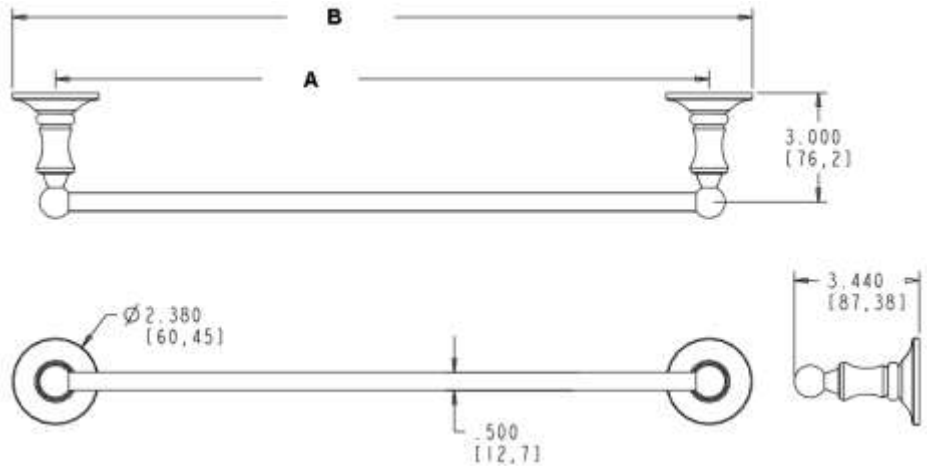
18" & 24" Towel Bar

DN6718 & DN6724

Stock Numbers:

- ❑ **DN6718BN – 18" Towel Bar**
Brushed Nickel Finish
- ❑ **DN6724BN – 24" Towel Bar**
Brushed Nickel Finish
- ❑ **DN6718ORB – 18" Towel Bar**
Oil Rubbed Bronze Finish
- ❑ **DN6724ORB – 24" Towel Bar**
Oil Rubbed Bronze Finish

Dimensions:



Length	18"	24"
Dim. A	18.00	24.00
Dim. B	20.38	26.38

Materials:

Towel bar posts are constructed of zinc. Bar is brass.

Installation Instructions:

1. Position the mounting template on the wall in the desired location. Using a level, align the template and tape it to the wall.
2. Remove each mounting post from the body by loosening the setscrew.
3. Place each mounting post on the template with notch facing down.
4. One at a time, place each anchor screw through the mounting post, centered in the hole. Using a Phillips screw driver, turn the anchor screw while applying pressure. Screw will self drill and tap into dry wall.
5. Only insert screw 1/2 to 3/4 into wall.
6. After all screws are installed, tear the template away from the wall.
7. Tighten all 4 the screws. Do not over tighten.
8. Place skirt over each mounting post.
9. Assemble the Towel bar and posts.
10. While assembled, Position each end post with the setscrew down and place over mounting post. Tighten the setscrew at the bottom of each base.

Cleaning Instructions:

To preserve the fine finish of this product, clean only with a soft damp cloth. Dry well. Do not use commercial or abrasive cleaners.

Stock Number: _____ Towel Bar
By Creative Specialties

