

EAGO

EAGO Sanitary Ware Co., Ltd.

Factory Add: Shiling Development Zone, Xiaotang Town, Nanhai District, Foshan City, Guangdong, China

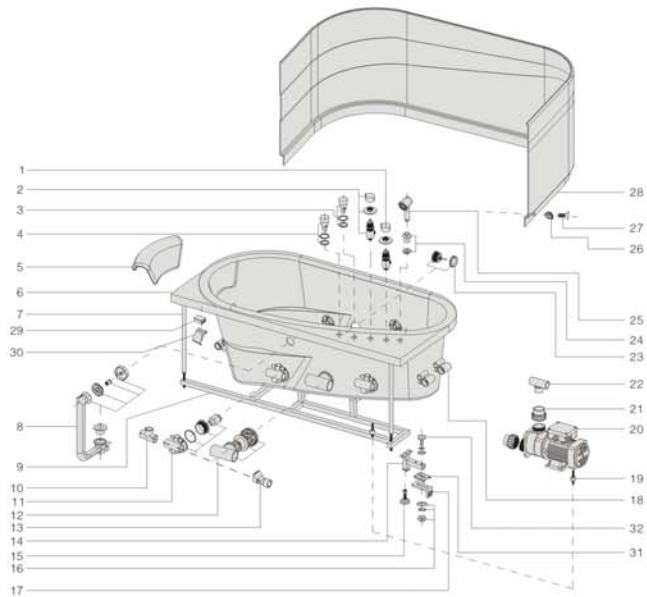
E-mail: sales@eago.com.cn Http://www.eago.com.cn

National Service Hotline: +86 800-8301359

EAGO

**AM118-2\160\161\162\170\171\172\175\176\177\
178\328\1675-2\1700-8 Installation Instruction**

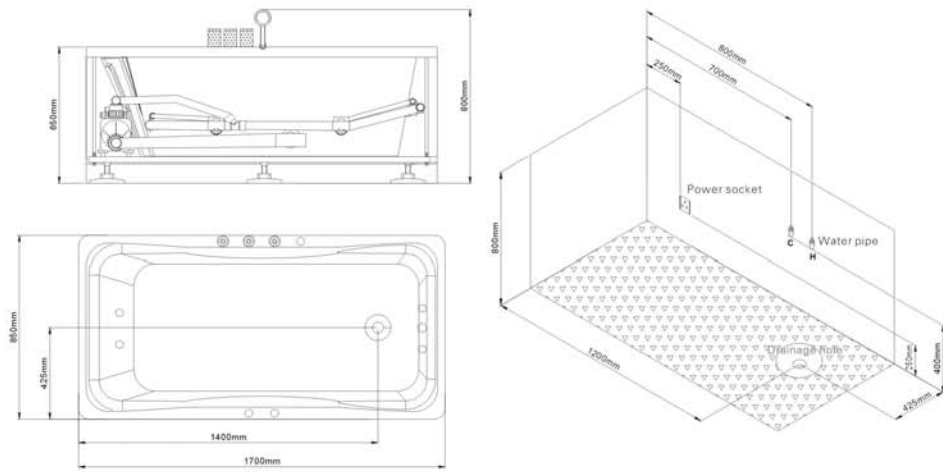
AM175 Components Structure



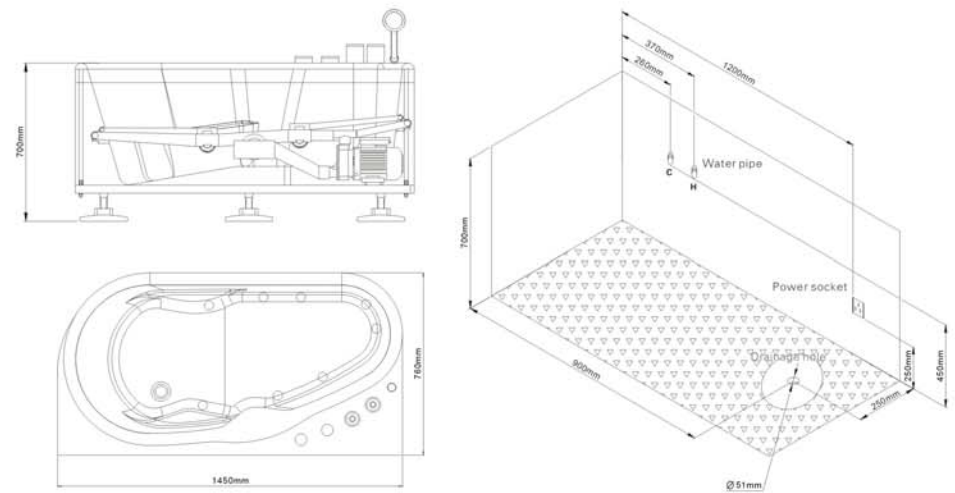
AM175 Components Structure

1. 7091-1 Main body	2. 7091-2 Main body	3. Chrome plated plastic air switch	4. Chrome plated plastic adjustable switch	5. T15 pillow	6. Bathtub body
7. Adjustable legs	8. 3628A Plastic drainage	9. Stainless steel bracket	10. 1 inch three way conversion	11. 8g jets with water drainage function	12. Plastic suction
13. 1 inch three way conversion	14. 66 diameter adjustable iron legs	15. adjustable legs	16. Nut, Gasket, Flexible gasket	17. White skirt buckle	18. back jets
19. Anti-shake glue grain	20. Water pump	21. Water pump connector	22. A07 lengthened plastic	23. Bottom light	24. Water proof shower pedestal
25. Shower head	26. White nut	27. 6x28 round head self tapping screw	28. Skirt panel	29. The spring base for the movable plastic skirt	30. The spring for the movable plastic skirt
31. The gasket for the white skirt buckle	32. 8X50 screw				

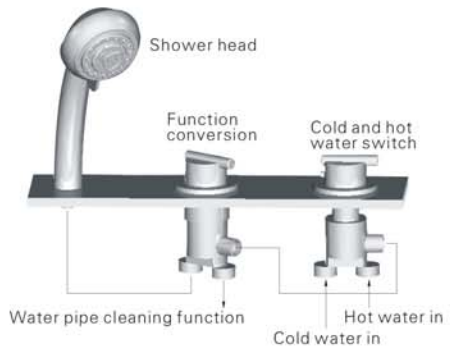
AM172 Water and wire line instruction diagram



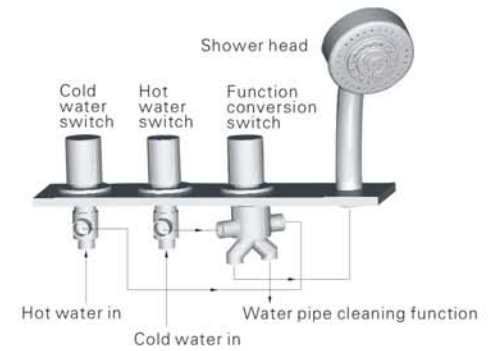
AM175 Water and wire line instruction diagram



Connection diagram of the faucet's pipe



Connection diagram of the faucet's pipe



Installation Step

The product use standard accessories. Please refer to production tech parameter and follow the below steps for installation:

1. Confirm the direction for the product → **2. Adjust the product for horizontal** → **3. Connect the water-in and water drainage** → **4. Connect the power** → **5. Check and confirm** → **6. Reposition** → **7. Pour water and test**

1. Confirm the installation site for the product

Please see to the product technique diagram and related tech parameter to connect the water drain pipe, power socket, water-in pipe. Confirm if there is enough space for the connecting.

2. Adjust the product for horizontal

Adjust the adjustable leg of the product; turn it into horizontal level.

3. Connect the water-in and water drainage

The water out pipe lays in the bottom of the bathtub, with diameter 38 mm. the pipe could be elbow in whatever way you like. Please put the pipe into the water drainage system and seal it well. Please keep the pipe running through to avoid water exhausted.

4. The Power Connection

This item is adjustable by the required power; please refer to the technique parameter for the direction of the power socket. Pay attention to the water-proof; connect the connector plugs into the socket. (Noted: the yellow-green bi-color wire from the water pump is the ground line, the diameter is 8 mm).

5. Check and confirm

After the above steps, please check the connection points are sealed or not. Clean the dirty things in the bathtub and open the water drainage. Wash the bathtub by water. In order not to stuff the water drainage and jets, please do clean the dirty things before washing.

6. Reposition

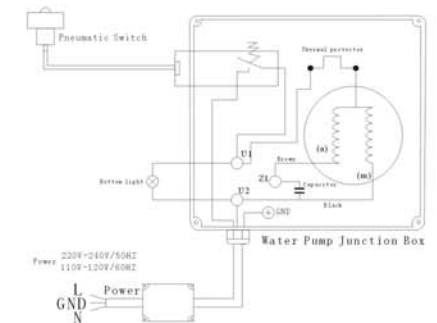
Reposition the product to where you want.

7. Pour the water in, check and test before use

Confirm the bathtub is clean. Close the water drainage and start storing the water. When the water level is higher than the probe, turn on the bathtub and try the functions according to the control panel instruction.

Wire connection diagram for massage bathtubs

General bathtub wire connection diagram



Electric parameter

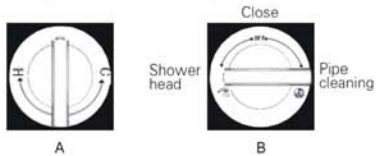
Parameter	Massage pump	Osone machine	Bottom light	Thermostat	Temperature probe	PC control panel	Lockbox	Notes
Rate voltage	AC220-240V/50HZ		DC12V					
Rate voltage	AC110-120V/60HZ		DC12V					
Rate power	1125W		3W					

Faucet's usage instruction

1、Bathtub faucet

A、 The cold-hot water inlet valve is both for hot and cold water. The one with red label or with H mark is for hot water, while the one with blue label or with C mark is for cold water. You could adjust the label on the faucet to get your wanted temperature.

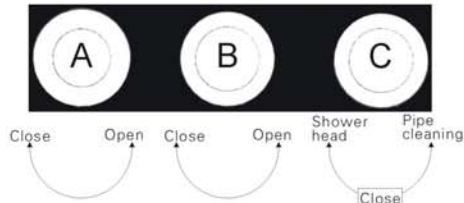
B、 B is the function conversion. Turn 90 °C left is the pipe cleaning function while 90 °C right is the shower head.



1、Bathtub faucet

Three sets of the faucet:

- A、 The water-in pipe where with red label is hot water, and the hand-hold faucet with label H is also hot water. Turning left could alternate the volume of the hot water. The maximum is 90°C to the left.
- B、 The water-in pipe where with blue label is cool water, and the hand-hold faucet with label C is also cool water. Turning left could alternate the volume of the cool water. The maximum is 90°C to the left.
- C、 Function conversion value, Turn 90 °C left is the shower head while 90 °C right is the pipe cleaning function.



Troubleshooting Instructions

Problem	Cause	Solution	Problem	Cause	Solution
The bathtub anomaly shaking and noising	<ol style="list-style-type: none"> 1.The under frame of bathtub is imbalance and/or the bolt is not tighten. 2.Screws of fixed of pump are not tightened or the clutch damper was missing. 3.Idle running on motor. 4.Motor failures. 	<ol style="list-style-type: none"> 1.Putting the tub on a level surface, leveling the tub by adjusting under frame of the tub, tightening bolt. 2.Should be 4 screws of fixed of Pump and 4 clutch damper, all bolts have to be tightened. 3.Pour more water until it over flow the sensor. 4.Contact you dealer or after-sale services department of EAGO Company. 	Chromotherapy not on	<ol style="list-style-type: none"> 1.The plug get off. 2.Control circuit board error. 	<ol style="list-style-type: none"> 1.Plug in again. 2.Contact you dealer or after-sale services department of EAGO Company.
			Insufficient inflow rate	<ol style="list-style-type: none"> 1.The water pressure is too low. 2.Water inlet block. 	<ol style="list-style-type: none"> 1.Check the water pressure. 2.Check and clean the dirty filter
			Diverter valve is not working	<ol style="list-style-type: none"> 1.Gasket of the valve is distortion or damage. 	<ol style="list-style-type: none"> 1.Replace a new gasket
			No bubble out from the Hydro-massage jet	<ol style="list-style-type: none"> 1.Air pipe block. 2.Air pump is switch off. 3.Air pump does not operate. 	<ol style="list-style-type: none"> 1.Take off the lid of the Hydro-massage jet; clean the small air hole by thin wire. 2.Switch on the air pump. 3.Follow the 'air pump does not operate' instruction process to check the air pump.
The pump is running, but poor jet action	<ol style="list-style-type: none"> 1.The suction net partly blocked. 2.Not adequate water level. 3.Adjusting valve of function is shut down. 4.The inlet pipe of pump exist air. 5.Other Probable Cause. 	<ol style="list-style-type: none"> 1.Take off the suction net with screwdriver. Clean it to keep the water going through smoothly. 2.Pour more water until it over flow the sensor. 3.Open the adjusting valve of function. 4.a) Open the washout valve to exhaust the air inside the pipe. b) Check and tighten all connection part of the inlet pipe. c) Close the washout valve properly. 5.The water pipe and air pipe may be mixed up. Please contact the professional technician to fix it. 	Water outlet switch leak or does not pop up	<ol style="list-style-type: none"> 1.The support screw under the water outlet switch is too tight or falling off. 2.The connection rope inside the water outlet switch is broken. 3.The gasket is not flat. 	<ol style="list-style-type: none"> 1.Take out the water outlet switch; adjust the support screw to proper point. 2.Replace whole set of the water outlet switch. 3.Reinstall the water outlet switch; make sure the gasket is flat.
			Some water left inside the pipe	Some models of bathtub can not drain all water out from the pipe because of its special construction.	
Water pump or air pump does not operate	<ol style="list-style-type: none"> 1.The voltage is unusual or the power is out. 2.The fuse blew out or the earth leakage circuit-breaker is OFF. 3.Nothing appears on the panel screen. 4.No signal from the water level sensor. 5.Baroswitch broken. 6.The air switch damage. 7.The pipe between the air switch and the water pump is loose. 	<ol style="list-style-type: none"> 1.Plug the power cable into an electrical outlet. Make sure the switch is in 'ON' position. 2.The fuse or the earth leakage circuit-breaker should be checked or repaired by a professional electrician. 3.Contact you dealer or after-sale services department of EAGO Company. 4.Pour more water until it over flow the sensor. 5.Replace the same model of baroswitch by professional electrician. 6.Contact you dealer or after-sale services department of EAGO Company. 7.Re-connect the pipe. 			