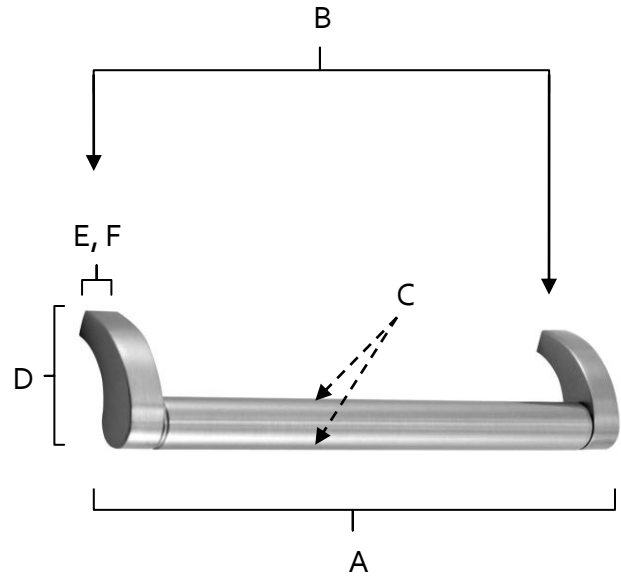


PRODUCT SHEET

SPECIFICATIONS

CIRCA
PULLS



FEATURES

- Modern styling
- Multiple finishes
- Concealed installation

WARRANTY

Limited lifetime

FINISHES

- Polished Chrome (PC)
- Polished Brass/Non-Lacquered (PB/NL)
- Bronze (BRZ)
- Polished Nickel (PN)
- Satin Nickel (SN)

MATERIAL

Brass

Item#	A	B	C	D	E (L)	F (W)
A260-15	1 7/8"	1 1/2"	3/8"	1 1/8"	3/8"	1/4"
A260-3	3 3/8"	3"	3/8"	1 1/8"	3/8"	1/4"
A260-35	3 7/8"	3 1/2"	3/8"	1 1/8"	3/8"	1/4"
A260-4	4 3/8"	4"	3/8"	1 1/8"	3/8"	1/4"
A260-6	6 3/8"	6"	3/8"	1 1/8"	3/8"	1/4"
A260-8	8 3/8"	8"	3/8"	1 1/8"	3/8"	1/4"
A260-12	12 3/8"	12"	3/8"	1 1/8"	3/8"	1/4"

KEY:

- A - Overall Length
- B - Center to Center
- C - Handle Width
- D - Projection
- E - Mount Length
- F - Mount Width

NOTE: Dimensions and specifications are subject to change without notice.