



Submittal Sheet

Aquatic products may be specified as Lasco Bathware.

F6034BTRPAN

CUSTOMER: _____

JOB NAME: _____

PO #: _____ QUOTE #: _____

DATE: _____ QUANTITY: _____

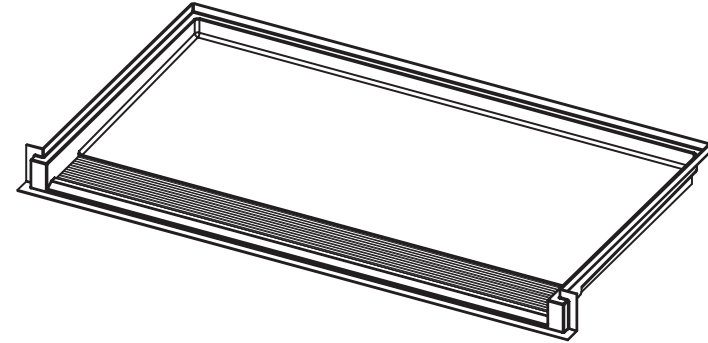
SHIP TO: _____

_____/_____/_____
PLUMBING CONTRACTOR APPROVAL DATE

_____/_____/_____
GENERAL CONTRACTOR APPROVAL DATE

_____/_____/_____
ENGINEER APPROVAL DATE

_____/_____/_____
ARCHITECT APPROVAL DATE



STANDARD FEATURES

- Pre-leveled base
- AcrylX™ applied acrylic surface
- ½" skirt
- ½" COL exterior threshold
- Compliant when properly installed
- Center front drain outlet
- Integral front trench drain
- Lifetime Limited Warranty Residential Use/ 30-year Commercial Use
- Slip resistant, textured bottom [ASTM F-462]

OPTIONS

- Grate:
- Stainless steel
 - White
 - Tamper-proof
- Brass drain
- Colors:
- Standard White
 - Upgraded Biscuit Bone
 - Other (contact customer service for custom color options)



Int. Dim. 60 W x 34 D x 2 5/8 H
 Ext. Dim. 66 W x 36 1/8 D x 4 5/8 H
 Skirt Ht. ½ skirt, ½ COL exterior threshold
 Packaged Wt. 50 lbs.
 Material AcrylX™ applied acrylic
 Warranty Lifetime Limited Residential Use/ 30-year Commercial Use*

* See terms and conditions for details inches

To complete your order, this document must be signed and faxed to the Aquatic Centralized Customer Service Center.

Fax (866) 544-5353 • Phone (800) 945-2726

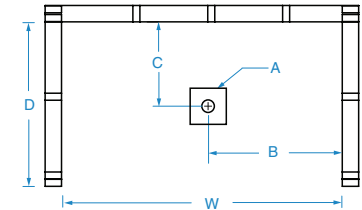
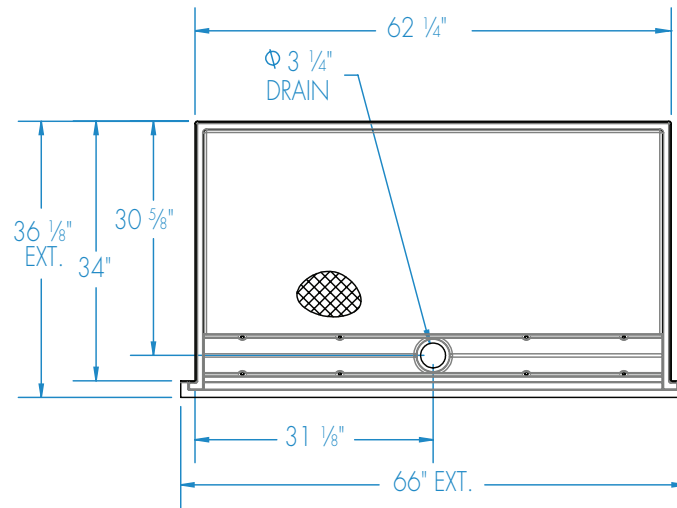


Submittal Sheet

Aquatic products may be specified as Lasco Bathware.

F6034BTRPAN

Please indicate changes needed.

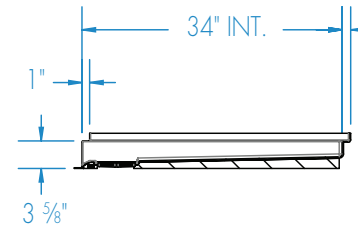
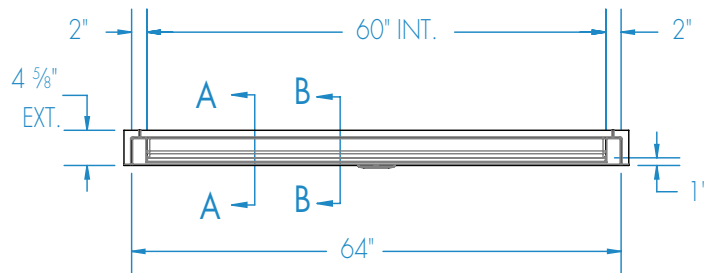


FRAMING DIMENSIONS inches (mm)

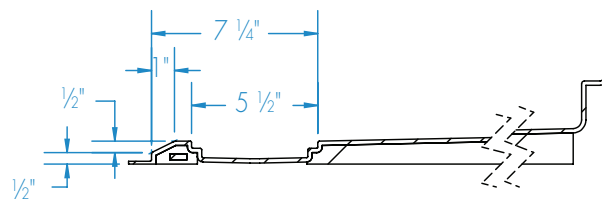
Type	D Depth	W Width	A	B	C
Alcove	36	62 1/4	Box Out	31 1/8	32 5/8

Installation Options:

1. Install in a recessed pit for rough-in floor installation.
2. Build sub-floor to level finished floor with top of shower threshold.



SECTION A-A



SECTION B-B
trench grate (included), not shown

ADA/ANSI compliant when fully equipped and installed according to guidelines.

Shell tolerance: +0, - 3/8" All other tolerances: ± 1"