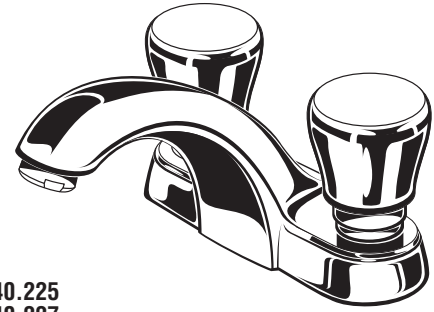


**METERING
Centerset Faucets**

Thank you for selecting American-Standard...the benchmark of fine quality for over 140 years.

To ensure that your installation proceeds smoothly--please read these instructions carefully before you begin.

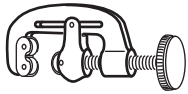


1340.225
1340.227

Certified to comply with ANSI A112.18.1

M968493 REV.1.6 (8/19)

Recommended Tools



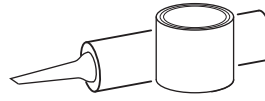
Tubing Cutter



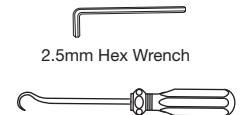
Channel Locks



Adjustable Wrench



Plumbers' Putty or Caulking



2.5mm Hex Wrench

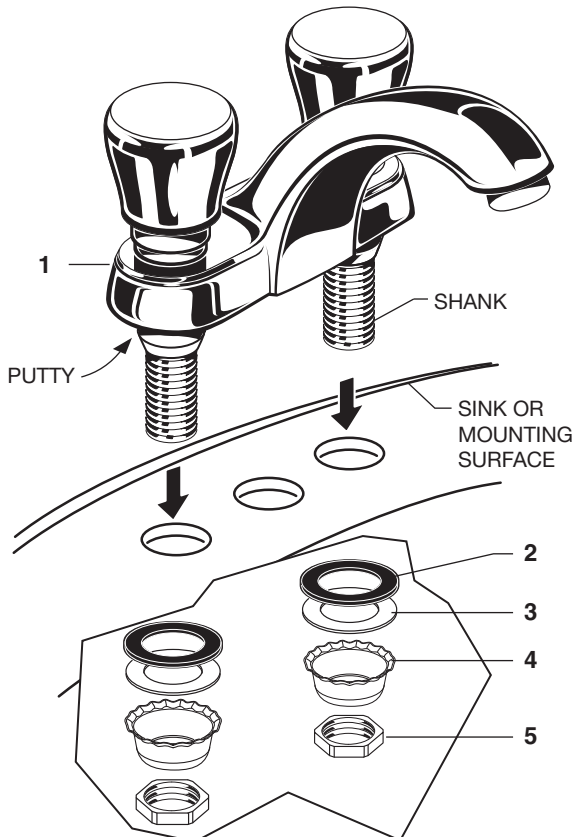
Hook

1 INSTALL FAUCET

CAUTION

Turn off hot and cold water supplies before beginning.

- Apply a bead of PUTTY along the edge of the underside of the FAUCET (1).
- Insert faucet SHANKS through holes of SINK or MOUNTING SURFACE.
- Install GASKET (2), FRICTION WASHER (3), DEEP WASHER (4) and LOCK NUT (5) onto SHANKS (6).
- Tighten LOCK NUTS (5) firmly to secure FAUCET (1).



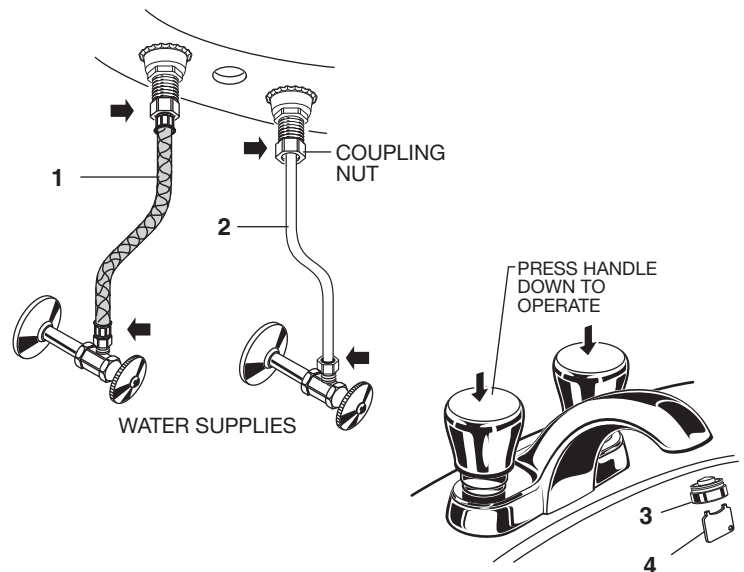
2 MAKE WATER SUPPLY CONNECTIONS AND TEST INSTALLED FITTING

NOTE: FLEXIBLE SUPPLIES OR BULL-NOSE RISERS MUST BE PURCHASED SEPARATELY.

- Connect water supply to FAUCET with 1/2" IPS FLEXIBLE SUPPLIES (1) or 3/8" O.D. BULL-NOSE RISERS (2).
- Use adjustable wrench to tighten connections. Do not over tighten. Be careful not to kink copper supply when bending. Use tubing cutter to cut to proper length.

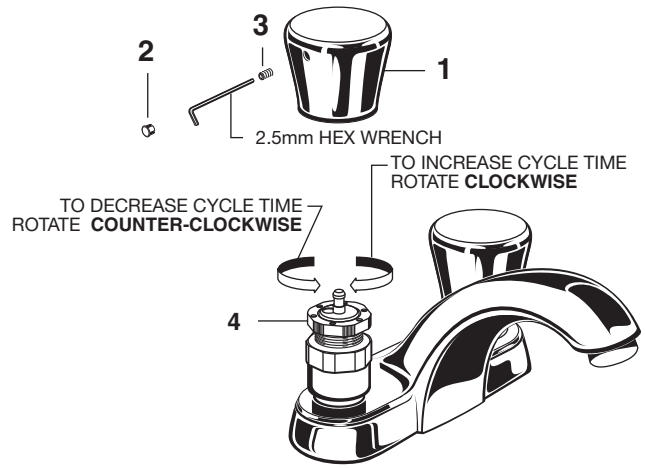
TEST INSTALLED FITTING

- Turn on water supplies and check connections for leaks. ➡
- Remove AERATOR (3) with KEY (4) supplied.
- Operate HOT and COLD HANDLES by pressing down on HANDLES. Both Hot and Cold handles are set for approximately 8 second operating cycles.
- Replace AERATOR (3).



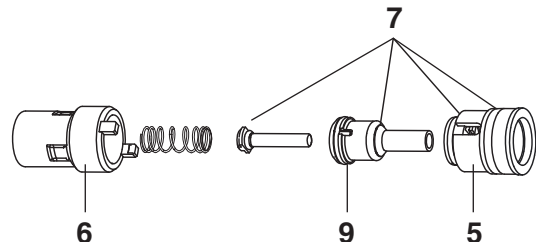
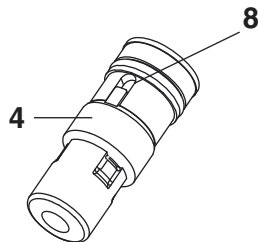
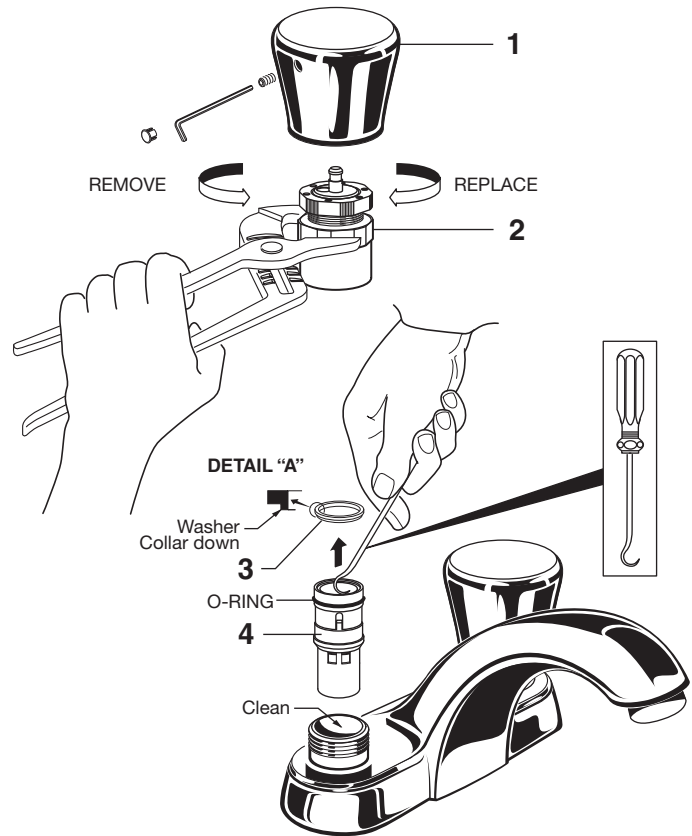
3 TO ADJUST CYCLE TIME

- Remove HANDLE (1) by removing INDEX BUTTON (2) and SET SCREW (3) with a 2.5mm hex wrench.
- Pull off HANDLE (1).
- To increase cycle time, turn the white PLASTIC ADJUSTING NUT (4) **clockwise**.
- To decrease cycle time, turn the white PLASTIC ADJUSTING NUT (4) **counter-clockwise**.
- Replace HANDLE (1), SET SCREW (3) and INDEX BUTTON (2). Test faucet for proper operation and cycle time.



4 SERVICE

- Remove HANDLE (1). Refer to Step 3 for handle removal.
- Remove ACTUATOR ASSEMBLY (2).
- Remove WASHER (3). Use small Hook to pull out VALVE ASSEMBLY (4). **NOTE:** The tip of the hook must catch on SURFACE (8) to remove VALVE ASSEMBLY (4). Moderate force is required. If the hook is too deep it will not remove VALVE ASSEMBLY (4).
- Open VALVE ASSEMBLY (4) by pulling VALVE BODY TOP (5) off of VALVE BODY BOTTOM (6). **NOTE:** There are three internal pieces including a spring. Take caution not lose these components while opening the valve body.
- Ensure that O-RINGS (7) are free of any debris. Remove O-RING (9), clean thoroughly, and ensure the groove beneath is free of debris. Reinstall O-RINGS (9).
- Reassemble VALVE ASSEMBLY (4) by pressing VALVE BODY TOP (5) on to VALVE BODY (6) until they lock with an audible snap.
- Push VALVE ASSEMBLY (4) into faucet body. Place WASHER (3) with collar facing down on top of VALVE ASSEMBLY (4). **See detail "A"**. Thread VALVE ACTUATOR (2) onto faucet. Torque VALVE ACTUATOR (2) to 12-15 ft. lbs (15-20 Nm).
- Replace HANDLE (1).



CARE INSTRUCTIONS:

DO: SIMPLY RINSE THE PRODUCT CLEAN WITH CLEAR WATER. DRY WITH A SOFT COTTON FLANNEL CLOTH.

DO NOT: CLEAN THE PRODUCT WITH SOAPS, ACID, POLISH, ABRASIVES, HARSH CLEANERS, OR A CLOTH WITH A COARSE SURFACE.