

American Standard

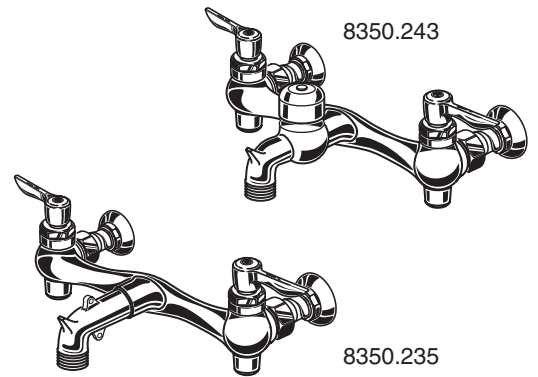
# Installation Instructions

## Exposed Yoke Wall Mount Utility Faucet

8350.235  
8350.243

Thank you for selecting American-Standard...  
the benchmark of fine quality for over 100 years.

To ensure that your installation proceeds smoothly...  
please read these instructions carefully before you begin.



Certified to comply with ANSI A112.18.1M  
M965041 Rev 1.3

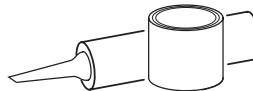
### RECOMMENDED TOOLS



Channel Locks



Adjustable Wrench

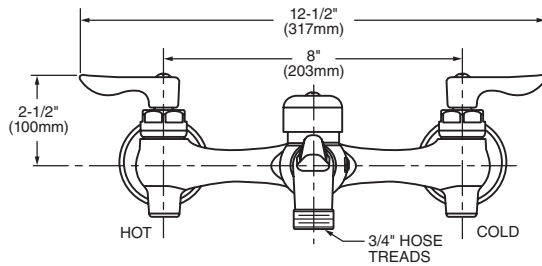


Plumbers' Putty or Caulking

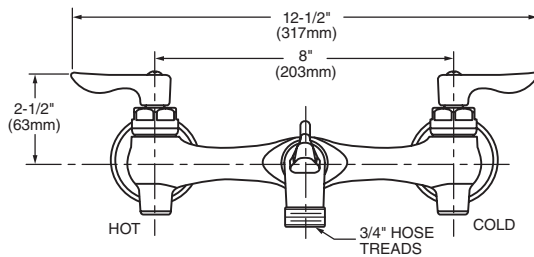
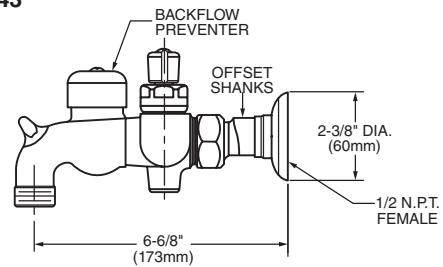


Phillips Screwdriver

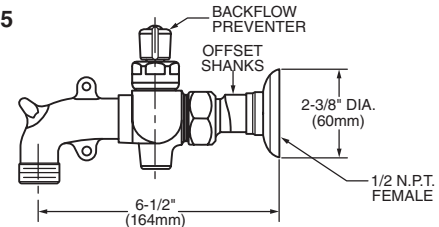
### ROUGHING-IN DIMENSIONS



8350.243

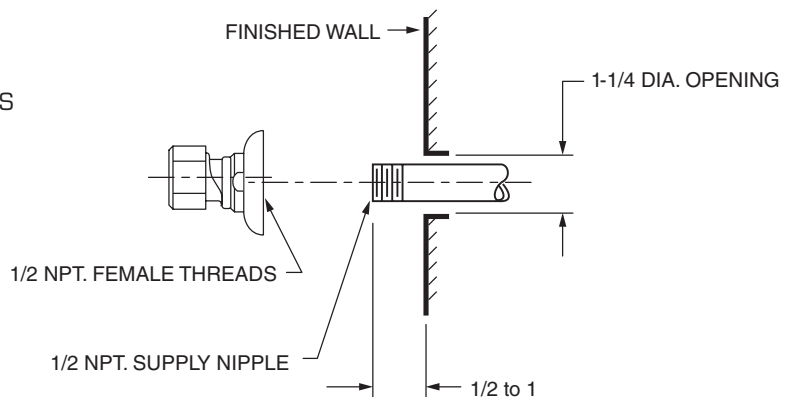


8350.235



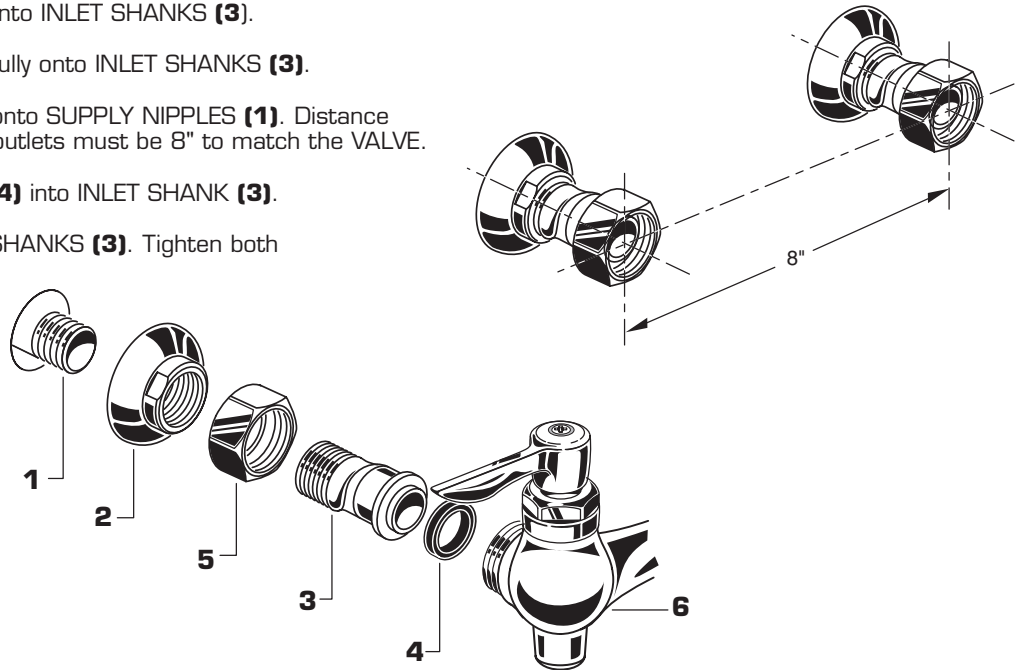
## 1 ROUGH-IN

- Prepare water supply lines per "Roughing-in Dimensions". Install 1/2" NPT. SUPPLY NIPPLES



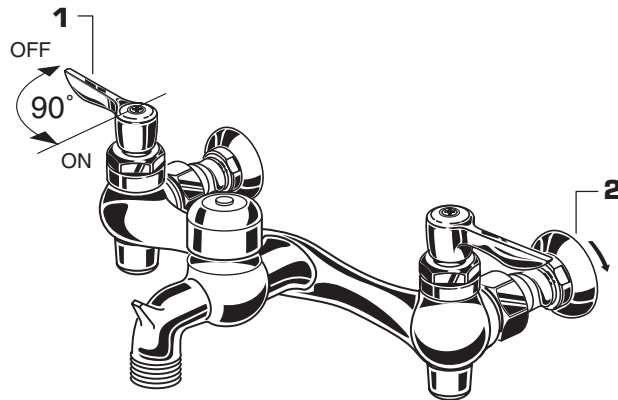
## 2 FINISH INSTALLATION

- Slide COUPLING NUTS (5) onto INLET SHANKS (3).
- Thread ESCUTCHEONS (2) fully onto INLET SHANKS (3).
- Thread INLET SHANKS (3) onto SUPPLY NIPPLES (1). Distance between INLET SHANK (3) outlets must be 8" to match the VALVE.
- Insert RUBBER WASHERS (4) into INLET SHANK (3).
- Attach VALVE (6) to INLET SHANKS (3). Tighten both COUPLING NUTS (5) firmly.



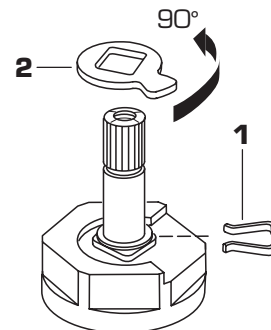
## 3 TEST FAUCET

- Turn HANDLES (1) TO **OFF** POSITION.
- Slowly turn water supplies on and check all connections for leaks.
- Operate HANDLES (1) to flush water lines thoroughly.
- Turn HANDLES (1) to **OFF** position.
- Thread ESCUTCHEONS (2) against finished wall.



## 4 SERVICE

- To change direction of handle rotation, proceed as follows:
  - Turn HANDLE to OFF position.
  - Remove HANDLE SCREW and HANDLE.
  - Remove SPRING CLIP (1).
  - Lift STOP WASHER (2), turn 90° and replace.
  - Replace SPRING CLIP (1).
  - Replace HANDLE and HANDLE SCREW.
- If spout drips, operate handles several times from OFF to ON position. Do not force - handles turn only 90°.



### CARE INSTRUCTIONS:

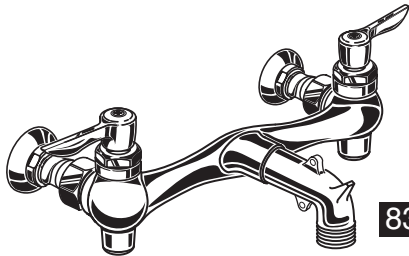
**DO: SIMPLY RINSE THE PRODUCT CLEAN WITH CLEAR WATER. DRY WITH A SOFT COTTON FLANNEL CLOTH.**  
**DO NOT: DO NOT CLEAN THE PRODUCT WITH SOAPS, ACID, POLISH, ABRASIVES, HARSH CLEANERS, OR A CLOTH WITH A COARSE SURFACE.**

*American Standard*

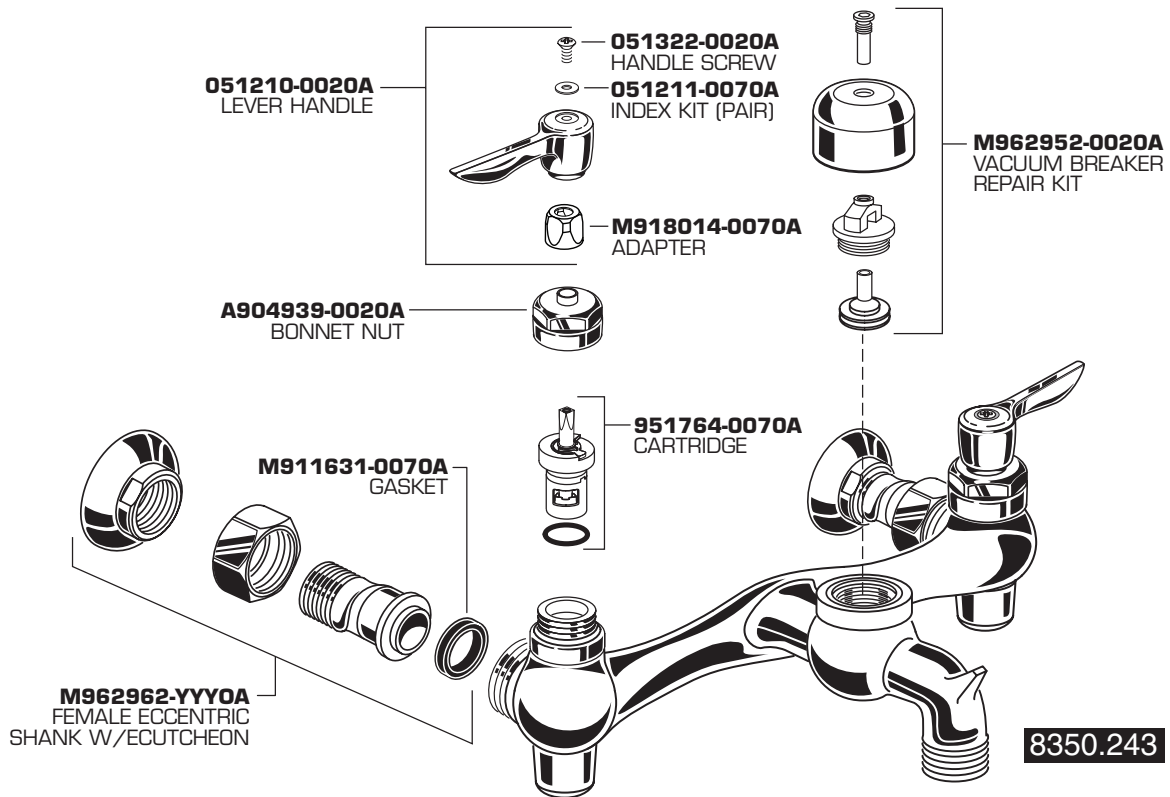
**Exposed Yoke Wall Mount  
Utility Faucet**

MODEL NUMBER

**8350.235**  
**8350.243**



**8350.235**



Replace the "YYY" with  
appropriate finish code

CHROME	002
ROUGH CHROME	004



**HOT LINE FOR HELP**

For toll-free information and answers to your questions, call:  
1-800-442-1902  
Weekdays 8:00 a.m. to 6:00 p.m. EST  
IN CANADA 1-800-387-0369 (TORONTO 1-905-306-1093)  
Weekdays 8:00 a.m. to 7:00 p.m. EST  
IN MEXICO 01-800-839-1200

Product names listed herein are trademarks of American Standard Inc.  
© AS America, Inc. 2010