

# ELENA 450 WALL-HUNG BASIN

CAT. NO  
4-1011



Faucet not included

W: 17-<sup>3</sup>/<sub>4</sub>"  
D: 15-<sup>3</sup>/<sub>4</sub>"  
H: 7-<sup>1</sup>/<sub>8</sub>"

### Interior Dimensions:

Basin Interior: 14-<sup>1</sup>/<sub>2</sub>" x 10"  
Basin Depth: 5"  
Water depth to overflow: 3-<sup>1</sup>/<sub>4</sub>"  
Mount holes cc: 7-<sup>1</sup>/<sub>2</sub>"  
Spout holes: 1-<sup>3</sup>/<sub>8</sub>"  
Back of basin to center of faucet: 2-<sup>1</sup>/<sub>4</sub>"  
Back of basin to center of drain: 7-<sup>7</sup>/<sub>8</sub>"

### Features:

- ▶ Made of Vitreous China
- ▶ Available for 1 hole (4-1011), 4" (4-1014), 6" (4-1016), and 8" (4-1018)
- ▶ Mounting hardware included
- ▶ Pre-drilled overflow hole

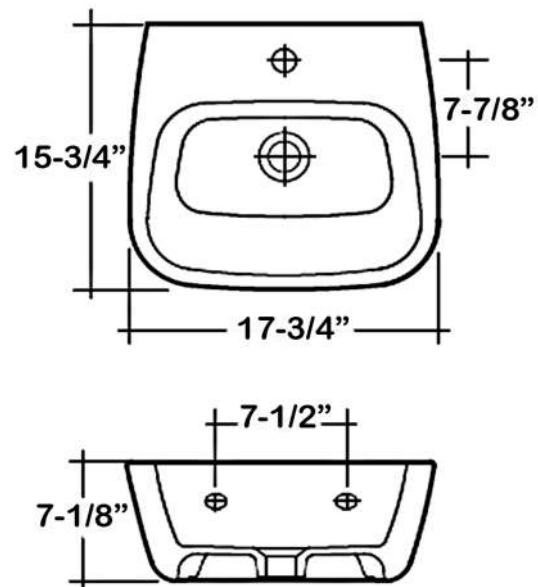
### Colors:

WH White



Mounting hardware

**Compliance Certification**  
Meets or exceeds the following specifications: ASME A112.19.2 2018 and CSA B45.1-18 for ceramic plumbing fixtures.



Dimensions of fixture are nominal and may vary within the range of tolerances established by ASME Standard A112.19.2-2018. Dimensions and specifications subject to change without notice.