

19" FOLD-UP SLATTED SHOWER SEAT

Cat. No.
6122



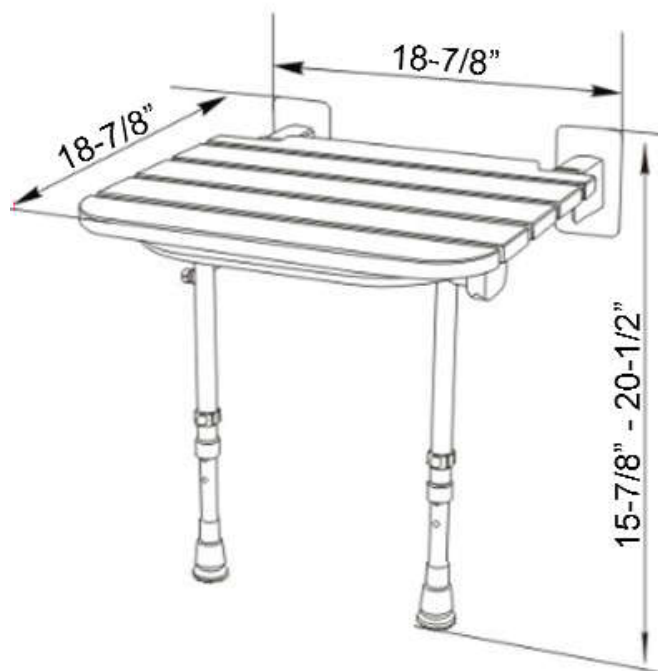
Width: 18-7/8"
Depth: 18-7/8"
Height: 15-7/8" - 20-1/2"

Seat Width: 18-7/8"
Seat Depth: 15-1/2"

Wall Bracket Height: 2-3/4"

Features:

- ▶ Rubber woods construction
- ▶ 304 Grade stainless steel metal
- ▶ Wall mounted design
- ▶ Fold down legs for added support
- ▶ Folds up when not in use
- ▶ Maximum weight capacity is 573 lb.



Dimensions of fixture are nominal and may vary. Dimensions and specifications subject to change without notice.