

**33" RANIER DOUBLE  
BOWL FARMER SINK**

Cat. No  
FSMD5574



W: 33"  
D: 20"  
H: 9-1/2"

**Features:**

- ▶ Handcrafted from natural marble
- ▶ Each sink has naturally unique markings on the marble
- ▶ 3 1/2" drain opening
- ▶ Drain sold separately
- ▶ Flange extension required

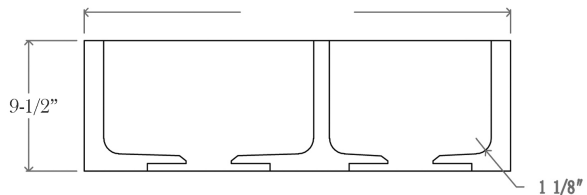
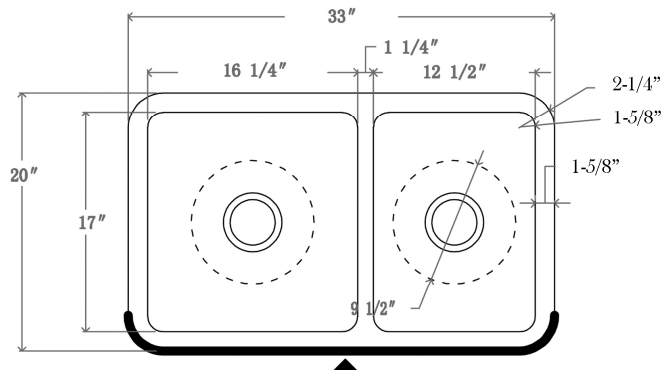
**Colors:**

**MPGA** Polished Galala Marble

**\*Please do NOT cut hole without  
template or actual product.**

**Interior Bowl Dimensions:**

Large Basin Interior: 16-1/4" W x 17" D  
Small Basin Interior: 12-1/2" W x 17" D  
Basin Depth: 8"



Dimensions of fixture are nominal and may vary within the range of tolerances established by ANSI Standard A112.19.2. Dimensions and specifications subject to change without notice.