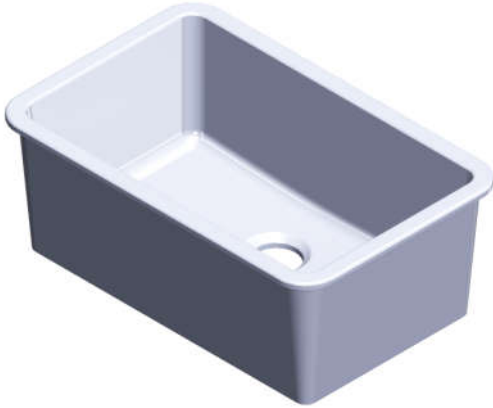


30" PIERINA KITCHEN SINK

Cat. No.
KS30

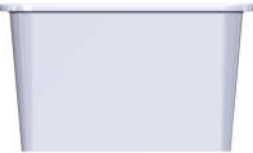


W: 29-1/2"
D: 19"
H: 11"

Front View



Side View



Close-up of Barclay logo



Front view of Barclay logo

Interior Dimensions:

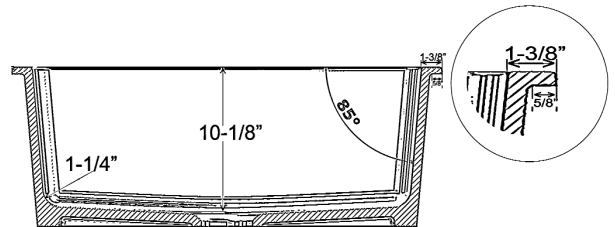
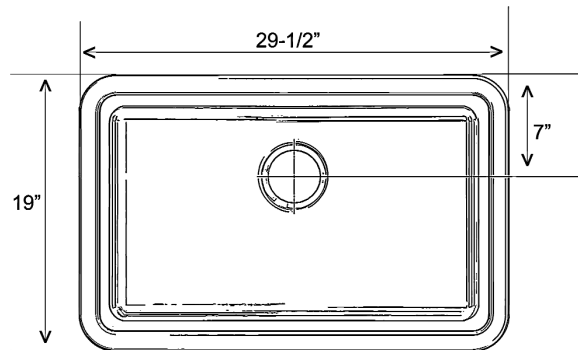
W: 26-3/4"
D: 16-1/4"
H: 10-1/8"

Features:

- ▶ Made in Italy
- ▶ Constructed of fine Fire Clay for durability
- ▶ No faucet holes
- ▶ Center drain
- ▶ Can be used in undercounter or drop-in installations
- ▶ Garbage disposals can be used with this sink
- ▶ Features Barclay logo

Colors:

WH White



Dimensions of fixture are nominal and may vary within the range of tolerances established by ANSI Standard A112.19.9. Dimensions and specifications subject to change without notice.