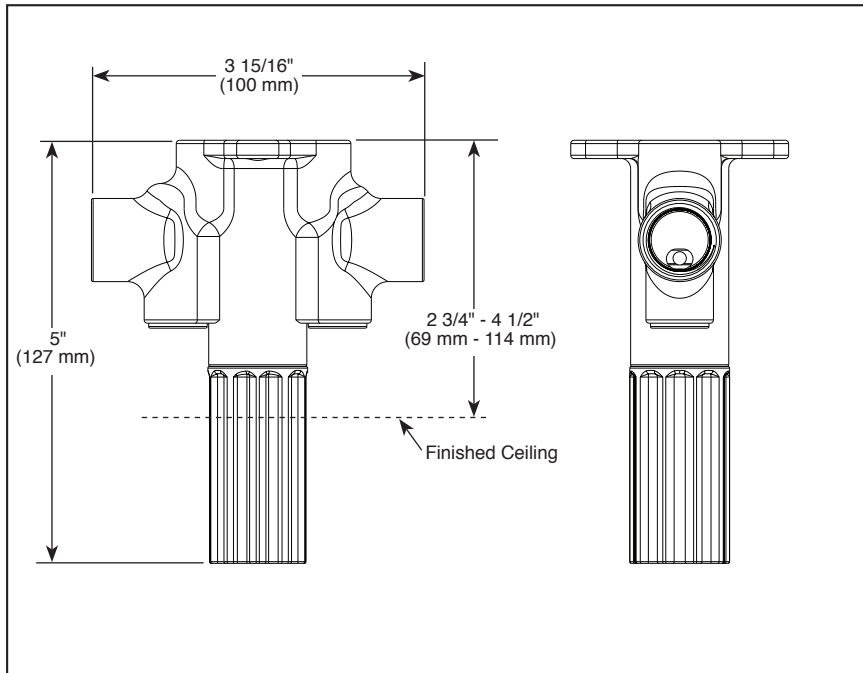


R83992

Submitted Model No.: \_\_\_\_\_

Specific Features: \_\_\_\_\_



# BRIZO®

## SHOWER ARM ROUGH

■ Dual Waterway Ceiling Mount Shower Arm Rough

### STANDARD SPECIFICATIONS

- Forged brass body
- 1/2" NPT inlets
- Must be plumbed to on-wall diverter or volume controls
- Must be used with 83992-06MF OR 83992-10MF dual waterway shower arm
- Includes serviceable filters located at each inlet
- Can be air or water tested using supplied test cap

### WARRANTY

- Parts and Finish - Lifetime limited warranty; or for commercial purchasers, 10 years for multi-family residential (apartments and condominiums) and 5 years for all other commercial uses, in each case from the date of purchase.
- Electronic Parts and Batteries (if applicable) - 5 years from the date of purchase; or for commercial purchasers, 1 year from the date of purchase. No warranty is provided on batteries.

### COMPLIES WITH:

- ASME A112.18.1 / CSA B125.1

Brizo Kitchen & Bath Company reserves the right (1) to make changes in specifications and materials, and (2) to change or discontinue models, both without notice or obligation. Dimensions are for reference only. See current full-line price book or [www.brizo.com](http://www.brizo.com) for finish options and product availability.

BSP-B-R83992 Rev. A

**Brizo Kitchen & Bath Company**

55 E. 111th Street, Indianapolis, IN 46280  
350 South Edgeware Road, St. Thomas, ON N5P 4L1  
© 2020 Brizo Kitchen & Bath Company