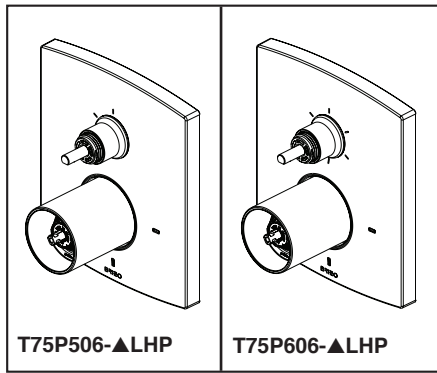


BRIZO®

PRESSURE BALANCE VALVE W/ INTEGRATED DIVERTER TRIM

- Kintsu™ & Allaria™ Bath Collections
- MultiChoice® Valve Trim with Three Function Diverter (T75P506-LHP)
- MultiChoice® Valve Trim with Six Function Diverter (T75P606-LHP)



Submitted Model No.: _____

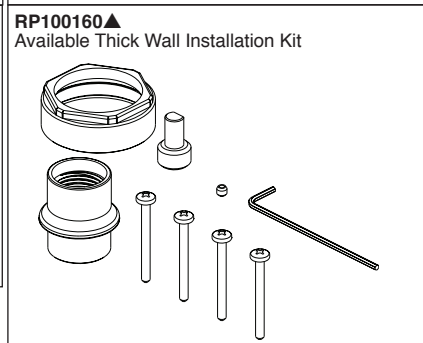
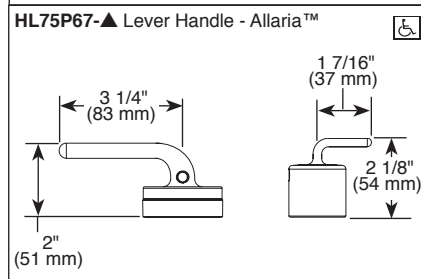
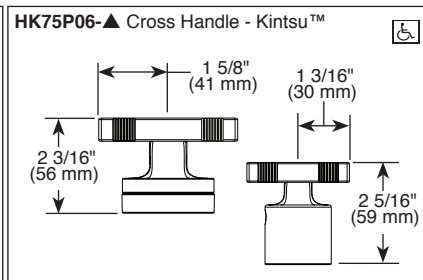
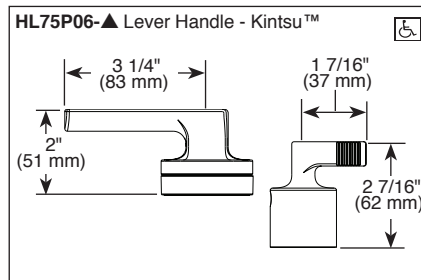
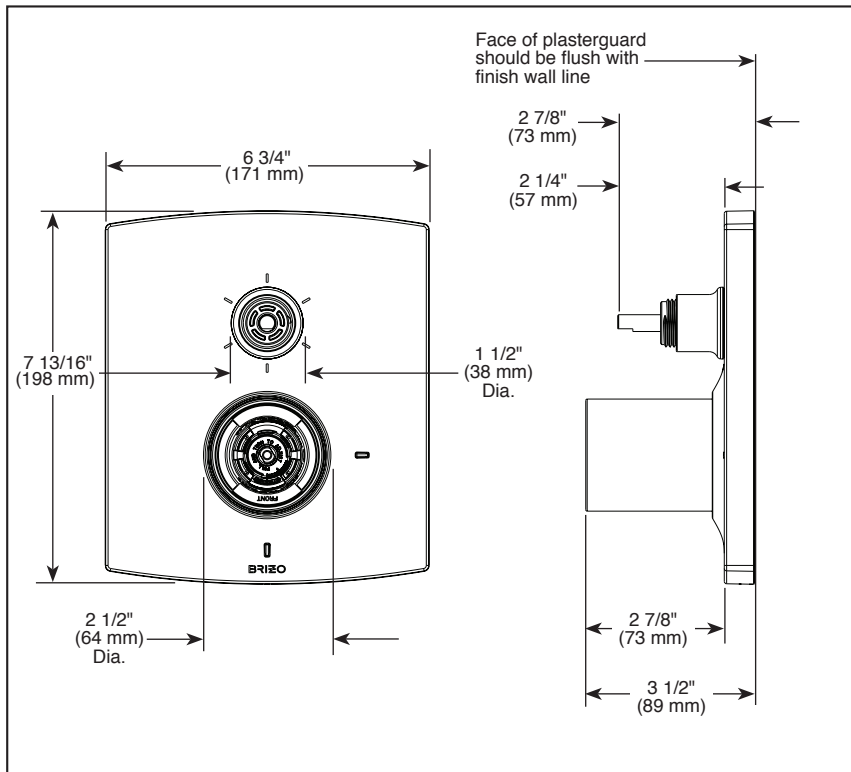
Specific Features: _____

FEATURES:

- Pressure balance valve cartridge

STANDARD SPECIFICATIONS:

- Maintains a balanced pressure of hot and cold water even when a valve is turned on or off elsewhere in the system
- Back-to-back installation capability
- For use with MultiChoice® Universal Integrated Shower Diverter Rough (R75000 Series)
- Max. system flow rate 5.0 gpm at 60 psi with R75000
- Top handle controls diverter functions
- Bottom handle controls on/off and temperature
- Field adjustable to limit handle rotation into hot water zone
- Bottom handle 120° maximum rotation
- Red/Blue temperature indicator markings
- Three function diverter (T75P506-▲LHP) has 2 individual positions and 1 shared position
- For two individual functions, no shared functions, order additional RP72123
- Six function diverter (T75P606-▲LHP) has 3 individual positions and 3 shared positions
- For three individual functions, no shared functions, order additional RP72124
- 1/2" rough-in
- Cartridges included
- Standard installation allows up to 1 1/8" finished wall thickness
- Thick wall installation kit RP100160▲ can be ordered to allow for up to 2 1/8" finished wall thickness
- Handles sold separately



▲ Designate Proper Finish Suffix

WARRANTY

- Parts and Finish - Lifetime limited warranty; or for commercial purchasers, 10 years for multi-family residential (apartments and condominiums) and 5 years for all other commercial uses, in each case from the date of purchase.
- Electronic Parts and Batteries (if applicable) - 5 years from the date of purchase; or for commercial purchasers, 1 year from the date of purchase. No warranty is provided on batteries.

COMPLIES WITH:

- ASME A112.18.1 / CSA B125.1
- Indicates compliance to ICC/ANSI A117.1

Brizo Kitchen & Bath Company reserves the right (1) to make changes in specifications and materials, and (2) to change or discontinue models, both without notice or obligation. Dimensions are for reference only. See current full-line price book or www.brizo.com for finish options and product availability.

BSP-B-T75P506-LHP Rev. B

Brizo Kitchen & Bath Company

55 E. 111th Street, Indianapolis, IN 46280
350 South Edgeware Road, St. Thomas, ON N5P 4L1
© 2021 Brizo Kitchen & Bath Company