

see what Delta can do™

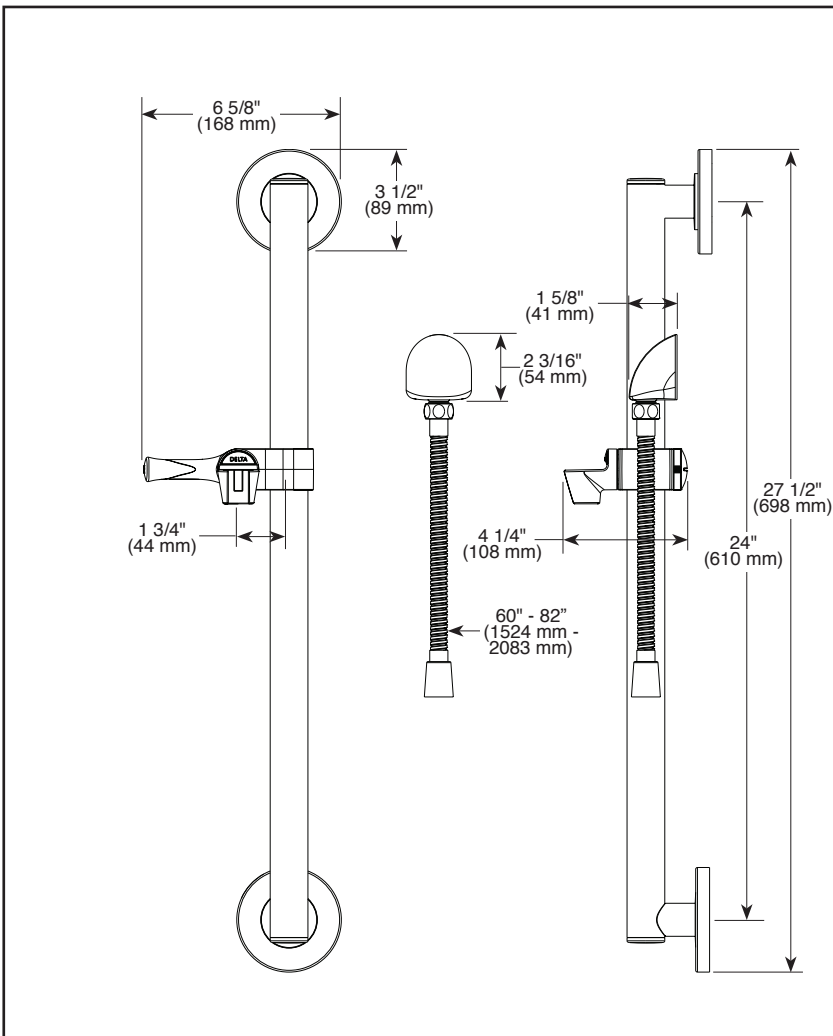
SLIDE BAR / GRAB BAR SHOWER KIT

■ Less Hand-Shower

STANDARD SPECIFICATIONS:

- 60"-82" Stretchable metal hose
- Solid brass wall elbow
- 24" Contemporary slide bar / grab bar
- ADA compliant adjustable hand shower mount and hose
- ADA compliant grab bar when installed per accessibility guidelines of the act

Submitted Model No.: _____
 Specific Features: _____



▲ Designate proper finish suffix

WARRANTY

- Lifetime limited warranty on parts (other than electronic parts and batteries) and finishes; or for commercial users, for 5 years from the date of purchase.
- 5 year limited warranty on electronic parts (other than batteries); or for commercial users, for 1 year from the date of purchase. No warranty is provided on batteries.

COMPLIES WITH

- ASME A112.18.1/CSA B125.1
- Indicates compliance to ICC / ANSI A117.1

Delta reserves the right (1) to make changes in specifications and materials, and (2) to change or discontinue models, both without notice or obligation. Dimensions are for reference only. See current full-line price book or www.deltafaucet.com for finish options and product availability.

DSP-B-51600 Rev. A

Delta Faucet Company

55 E. 111th Street, Indianapolis, IN 46280
 350 South Edgeware Road, St. Thomas, ON N5P 4L1
 © 2017 Delta Faucet Company