



AMERICAN STANDARD

LYNDON®

3/2 OR 4/3 DIVERTER VALVE TRIM



- Directs water flow between 2 or 3 outlets
- 3/2 Port diverter allows for 1 inlet and 2 outlets
- 4/3 Port diverter allows for 1 inlet and 3 outlets
- 1/2" NPT inlets and outlets

CODES AND STANDARDS

Meets or Exceeds ASME A112.18.1/CSA B125.1

AVAILABLE FINISHES

- Polished Chrome
- Brushed Nickel
- Matte Black*

*Available October 2015

FINISH CODE

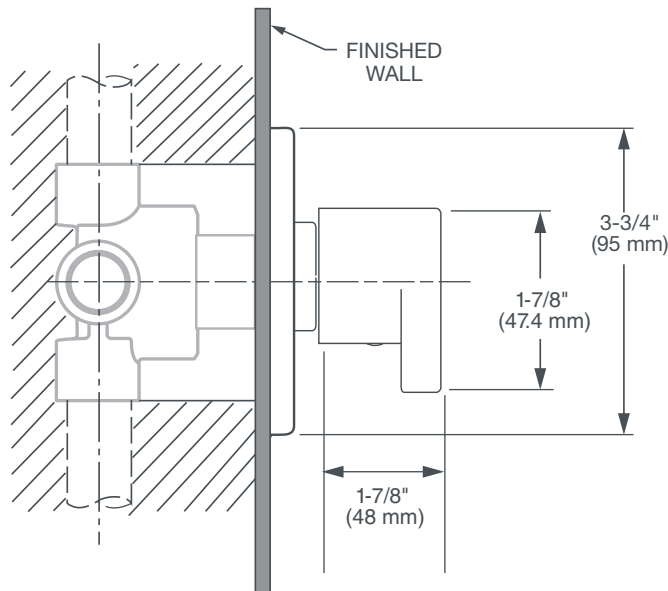
- 100
- 144
- 243

DESCRIPTION

- 4/3 or 3/2 Diverter Valve Trim
- 3/2 Port Diverter Rough Valve
(required component)
- 4/3 Port Diverter Rough Valve
(required component)

PRODUCT NUMBER

- D35109430.XXX
- D35000420.191
- D35000430.191



IMPORTANT: These measurements are subject to change or cancellation. No responsibility is assumed for use of superseded or voided pages.



Meets the Americans with Disabilities Act Guidelines and ANSI A117.1 Requirements for the physically challenged.