



DXV MODULUS™

FLOOR MOUNT TUB FILLER



- Contemporary Statuesque design
- Modern hand shower that features a 5 ft (1.5 m) decorative metal hose
- For use with free standing tubs
- 6" center-to-center floor spread installation
- 25-3/8" (645 mm) floor to center of handle
- Drain not included
- Rough valve included
- Maximum hand shower flow rate: 1.8 gpm (6.8 L/min)

CODES AND STANDARDS

Meets or Exceeds ASME A112.18.1/CSA B125.1

DESCRIPTION

Floor Mount Tub Filler

PRODUCT NUMBER

D35120951.XXX

AVAILABLE FINISHES

Polished Chrome
Brushed Nickel
Platinum Nickel

FINISH CODE

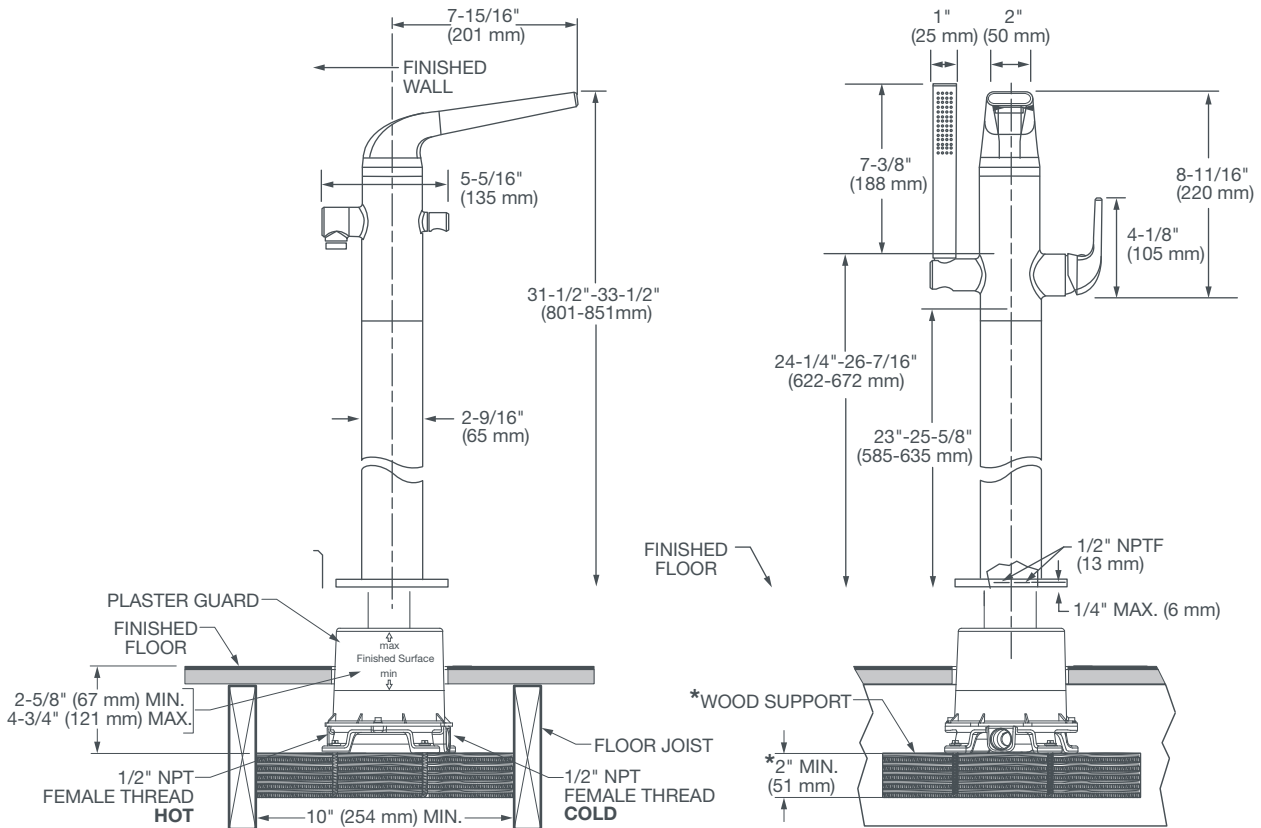
100
144
150

ROUGH-IN DIAGRAM
SHOWN ON NEXT PAGE



DXV MODULUS™

FLOOR MOUNT TUB FILLER



***Adequate floor support is required. The wood support must be a minimum of 2" (51 mm) thick by 10" (254 mm) wide. 2x6 lumber is NOT adequate for this application.**

IMPORTANT: These measurements are subject to change or cancellation. No responsibility is assumed for use of superseded or voided pages.

PART OF **LIXIL**