

PRODUCT SPECIFICATIONS

Elkay Quartz Luxe® 15-3/4" x 15-3/4" x 7-11/16", Single Bowl Dual Mount Bar Sink. Proprietary manufacturing process that combines natural quartz with high performance UV-stable acrylic resins that result in an impact resistant, non-porous and heat, scratch, stain and fade resistant surface. Naturally sound deadening and Rear Center drain placement.



Installation Type:	Drop-in Undermount
Material:	Quartz
Finish:	Caviar (CA), Charcoal (CH), Chestnut (CN), Jubilee (JB), Maraschino (MA), Mint Creme (MT), Parchment (PA), Ricotta (RT), Silvermist (SM)
Number of Bowls:	1
Sink Dimensions:	15-3/4" x 15-3/4" x 7-11/16"
Bowl 1 Dimensions:	13-1/8" x 13-1/8" x 7-11/16"
Drain Size:	3-1/2" (89mm)
Drain Location:	Rear Center
Minimum Cabinet Size:	21"
Mounting Hardware:	Part # 64090404 included for drop-in installation for countertops up to 1-3/4" (44mm) thick. Part # 54300404 included for undermount installation.
Template Included:	Yes
Cutout Template #:	1000003495 undermount 1000003497 topmount

AMERICAN PRIDE. A LIFETIME TRADITION.
Like your family, the Elkay family has values and traditions that endure. For almost a century, Elkay has been a family-owned and operated company, providing thousands of jobs that support our families and communities.

Product Compliance: CSA B45.5/IAPMO Z124



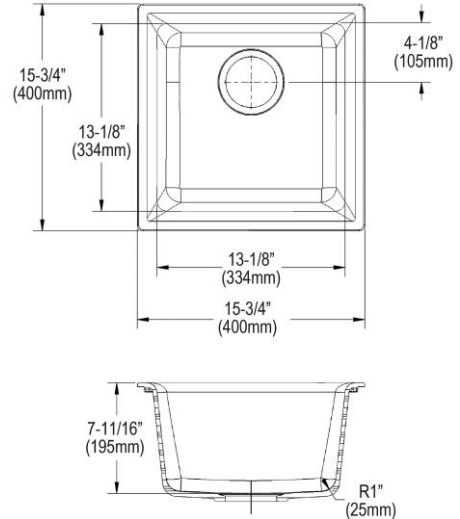
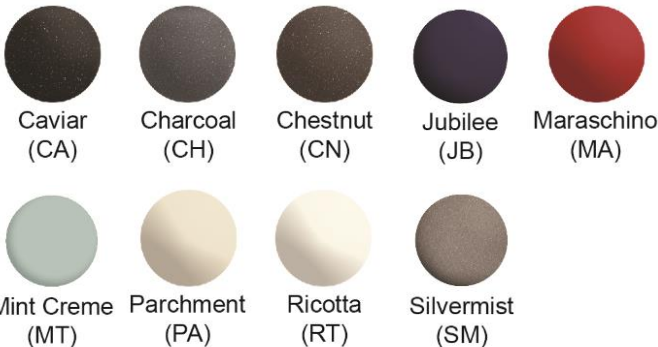
Sinks are listed by IAPMO® as meeting the applicable requirements of the Uniform Plumbing Code®, International Plumbing Code®, and National Plumbing Code of Canada.

[Clean and Care Manual \(PDF\)](#)
[Installation Instructions \(PDF\)](#)
[Warranty \(PDF\)](#)

Template is available for download at elkay.com. CAD software will be required to open the template.

Cutout Dimensions for Drop-in Installation:

15-1/8" x 15-1/8" (384mm x 384mm) with 3/8" (10mm) corner radius



PART: _____ QTY: _____

PROJECT: _____

CONTACT: _____

DATE: _____

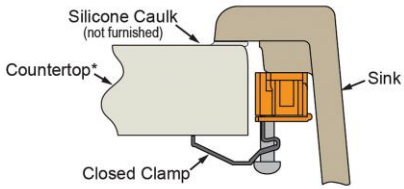
NOTES: _____

APPROVAL: _____

In keeping with our policy of continuing product improvement, Elkay reserves the right to change product specifications without notice. Please visit elkay.com for the most current version of Elkay product specification sheets. This specification describes an Elkay product with design, quality, and functional benefits to the user. When making a comparison of other producers' offerings, be certain these features are not overlooked.

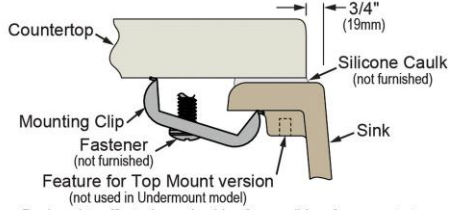
Installation Profile:

DROP-IN



*Maximum thickness for use of hold down system is 1-3/4" (44mm).

UNDERMOUNT - 3/4" REVEAL



Designed to affix to the underside of any solid surface countertop.

OPTIONAL ACCESSORIES

Bottom Grid:	LKOBG1616SS
Drain:	LKQS35, LKQD35, LK99
Faucet:	LKHA4032AS, LKHA4032CR, LKHA4032LS
Rinsing Basket:	LKWRB1209SS
Soap Dispenser:	LKGT1054

In keeping with our policy of continuing product improvement, Elkay reserves the right to change product specifications without notice. Please visit elkay.com for the most current version of Elkay product specification sheets. This specification describes an Elkay product with design, quality, and functional benefits to the user. When making a comparison of other producers' offerings, be certain these features are not overlooked.