

ELKAY® SPECIFICATIONS

Stainless Steel Constructed Bubbler For Classroom Drinking Fountain Sink Model LKSS1141A and LKSSVR1141A

GENERAL

Push-button bubbler, self closing, with built-in adjustable volume control which controls flow from 20 p.s.i. to 105 p.s.i.

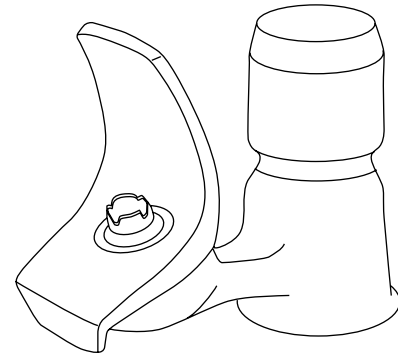
LKSS1141A – Flexi-Guard® Bubbler*. Stainless steel body with a 1/2" (13mm) straight pipe thread connection. Requires single faucet hole. Ship. Wt. 2.3 lbs.

LKSSVR1141A – Metal Bubbler. Same as LKSS1141A except with metal mouth guard. Model includes (2) anti-rotation pins for field installation. Four hole bubbler body drilling allows installer to match anti-rotation pins to the anti-rotation sink bubbler hole slot configuration.

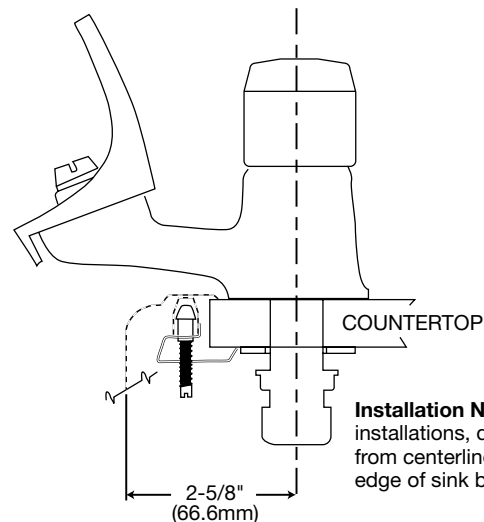
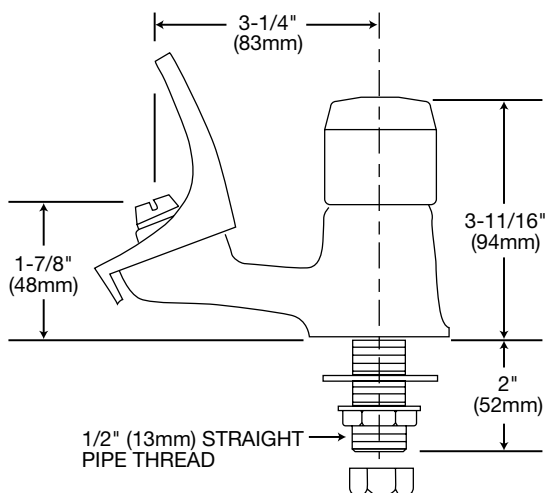
*Exclusive Flexi-Guard mouth guard utilizes a pliable polyester elastomer to prevent mouth injuries. Guard flexes on impact and then returns to original position. Strong, abrasion resistant, anti-sweat and meets sanitary requirements.

COMPLIES WITH:

ASME A112.18.1 / CSA B125.1
ADA & ICC A177.1
NSF / ANSI 61 & 372



Model LKSS1141A



Installation Note: For countertop installations, do not exceed 2-5/8" from centerline of bubbler hole to edge of sink bowl as shown.

ELKAY FAUCET/WATER DISPENSERS LIMITED WARRANTY

Elkay warrants its faucet and water dispensers to be free of defects in workmanship and material for a period of one year from the date of purchase. Replacement parts are available from Elkay for a nominal charge. Upon return of a defective part to Elkay during the warranty period with written notice of the claimed defect, Elkay will refund the replacement charge.

WASTE FITTINGS AND ACCESSORIES ARE NOT WARRANTED; OTHER WARRANTY CONDITIONS:

Our warranty does not cover product failure caused by abusive treatment, misuse, or damage due to handling or faulty installations. This warranty is extended only to the original consumer purchaser of the product. This warranty does not cover shipping costs, labor costs, or any other charges for such items as installation or replacement of the sink, diagnosis or replacement of any faucet or component part, or any other expense or loss.

ALL INCIDENTAL OR CONSEQUENTIAL DAMAGES ARE SPECIFICALLY EXCLUDED. NO ADDITIONAL WARRANTIES, EXPRESS OR IMPLIED, ARE GIVEN. ANY IMPLIED WARRANTY, INCLUDING ONE OF MERCHANTABILITY OR FITNESS FOR A PARTICULAR PURPOSE, IS LIMITED TO THE DURATION OF THIS WRITTEN WARRANTY.

In keeping with our policy of continuing product improvement, Elkay reserves the right to change product specifications without notice.

Some states do not allow the exclusion or limitation of incidental or consequential damages or limitations on how long an implied warranty lasts, so the above limitations or exclusions may not apply to you.

This warranty gives you specific legal rights, and you may also have other rights which vary from state to state.

TO OBTAIN SERVICE UNDER WARRANTY

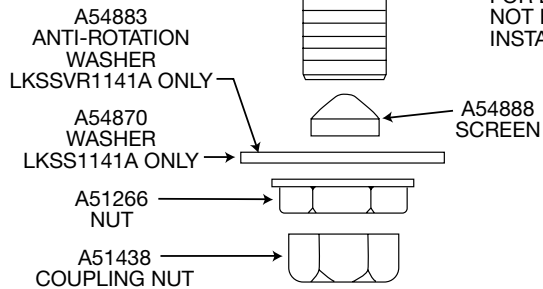
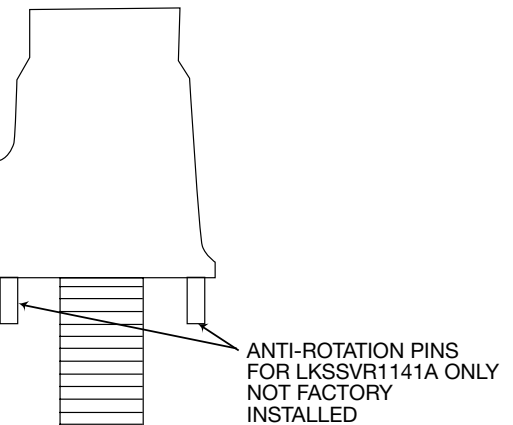
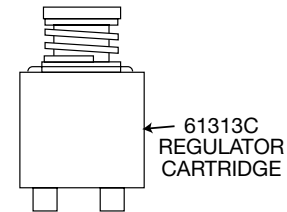
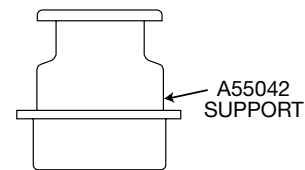
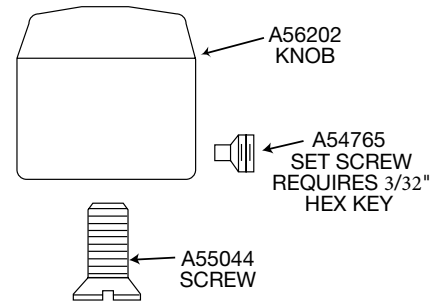
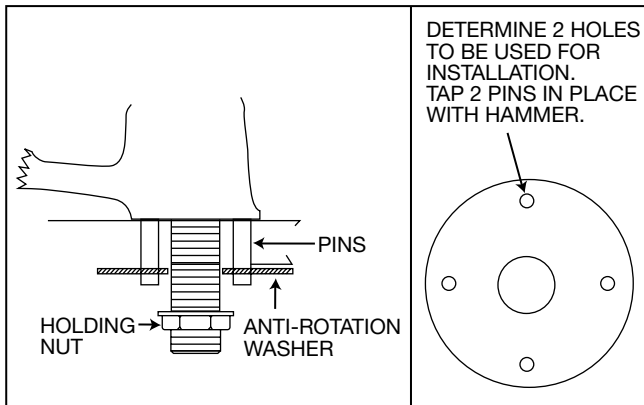
1. Write to: Elkay Manufacturing Company
Attention: Customer Service
1333 Butterfield Road, Suite 200
Downers Grove, Illinois 60515
2. Include a letter containing the following information:
 - a. Date of purchase and installation
 - b. Description of nature of defect
 - c. Model number or description of model and/or component part if possible.

This specification describes an Elkay product with design, quality and functional benefits to the user. When making a comparison of other producers' offerings, be certain these features are not overlooked.

**Stainless Steel Constructed Bubbler
For Classroom Drinking Fountain Sink
Model LKSS1141A and LKSSVR1141A**

**ELKAY®
PARTS LIST**

**LKSSVR1141A ANTI-ROTATION
INSTALLATION INSTRUCTIONS**



BODY ASSEMBLY
NOT AVAILABLE AS
SERVICE PART

TO ADJUST WATER FLOW:
1. LOOSEN KNOB SET SCREW.
2. REMOVE KNOB.
3. INSERT SCREWDRIVER THROUGH SUPPORT AND ADJUST FLOW BY SLIGHT ROTATION OF SCREW. TURN CLOCKWISE FOR ADDITIONAL FLOW. TURN COUNTER CLOCKWISE FOR REDUCED FLOW.
4. PRESS STEM TO TEST WATER FLOW.
5. REASSEMBLE KNOB.