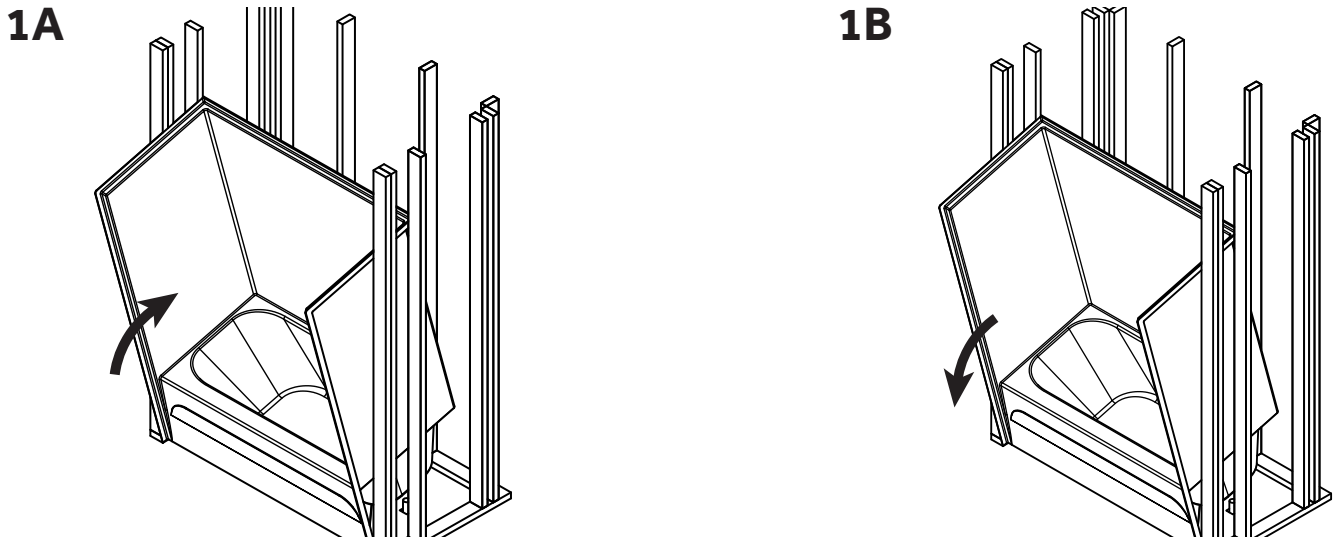


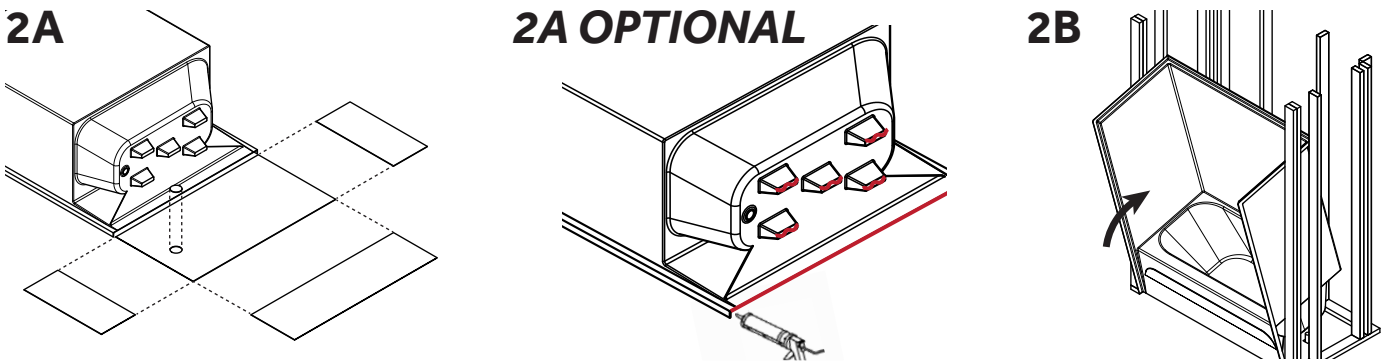
1. Dry Fit Fixture



Place the fixture in the framed alcove and ensure that the floor is level and that the walls are plumb. The floor must be leveled prior to installation if it is greater than 1/8" from level.

Tilt the fixture forward so that the front flanges rest on the floor.

2. Place Mat Beneath Fixture



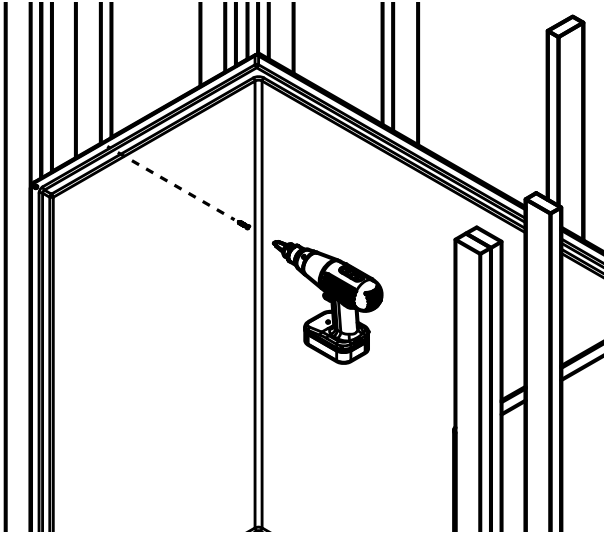
Cut or fold the edges of the supplied mat to match the fixture base dimensions as shown in the product submittal sheet. Cut a hole for the fixture drain.

Optional: Instead of using the supplied mat, construction adhesive may be applied along the front threshold and along each rung of the support plate.

Return the fixture to the upright position aligning the fixture drain with the waste pipe location.

If Adhesive is Used: With the fixture in the upright position, carefully place at least 120 lbs of weight in the fixture for the amount of time recommended by the adhesive manufacturer.

3. Secure Fixture to Studs



To secure the fixture to the stud walls, pre-drill holes every 16" along the vertical flanges and one hole per stud along the horizontal flanges. Nail or screw the fixture to the wall at each hole.

Cleaning

It is recommended that general cleaning be performed using EverFab Bath-Brite cleaning solution. Avoid abrasive cleaning products as they may remove the glossy finish and make subsequent cleaning difficult.