

Project Name:		Customer:		Date:	
Quote Number:		Model Number (select from below):		Seat Placement:	N/A
Customization Requested:					

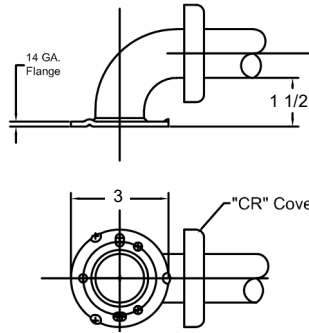
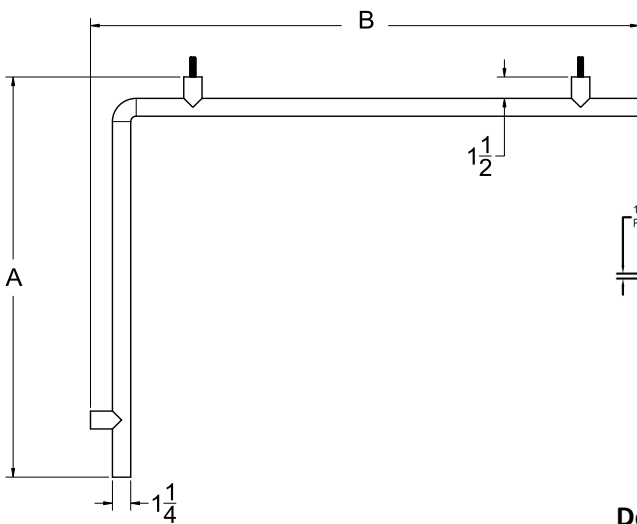
Standard Features and Measurements

- Meets ADA and ANSI requirements for size and strength when installed correctly
- Compatible with EverFab models S3839, S4839, S6334, and S6336

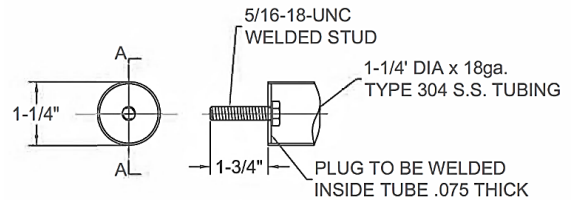
Style:	Elite Series L-Bar
Material:	Polished Stainless Steel
Approximate Weight:	10-16 lbs.

Optional Features

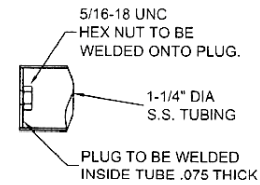
- Available with flanges for in-field installation



Detail of Flanged Option



Detail of Stud End



Detail of Internal Nut



Available Configurations

Model Number	Flanges for In-Field Installation	Length of Dimension A	Length of Dimension B
EF-3839-LBE	No	33"	18"
EF-3839-LFE	Yes	33"	18"
EF-6334-LBE	No	28"	37 1/2"
EF-6334-LFE	Yes	28"	37 1/2"
EF-6336-LBE	No	30"	37 1/2"
EF-6336-LFE	Yes	30"	37 1/2"
EF-6339-LBE	No	21"	56"
EF-6339-LFE	Yes	21"	56"

_____	___/___/___	_____	___/___/___
Architect	Date	Engineer	Date
_____	___/___/___	_____	___/___/___
General Contractor	Date	Plumbing Contractor	Date

Please email or fax a signed submittal sheet to the EverFab office to purchase.

Email: info@everfabath.com | Fax: 503.743.8153 | Phone: 503.303.3300 | www.everfabath.com | PO Box 490, Aumsville, OR 97325

Due to the nature of the material all measurements may vary by ± 3/8". Dimensions needed for site preparation should be measured from the unit.

Project Name:		Customer:		Date:	
Quote Number:		Model Number (select from below):		Seat Placement:	N/A
Customization Requested:					

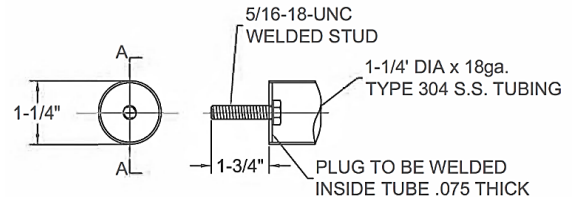
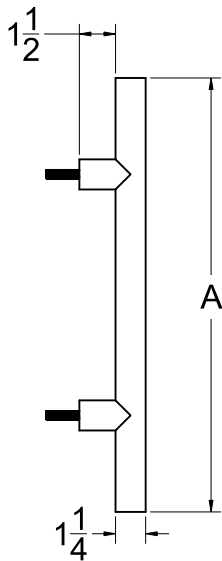
Standard Features and Measurements

- Meets ADA and ANSI requirements for size and strength when installed correctly
- Supports 250 lbs. as verified by independent industry leading lab. See everfabbath.com/test-results for complete report

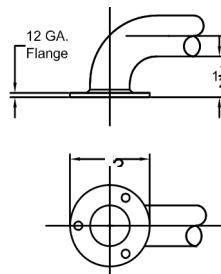
Style:	Elite Series Straight-Bar
Material:	Polished Stainless Steel
Approximate Weight:	8 lbs.

Optional Features

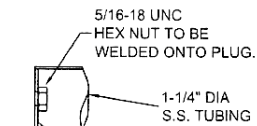
- Available with flanges for in-field installation



Detail of Stud



Detail of Flanged Option



Detail of Internal Nut

Available Configurations

Model Number	Flanges For In-Field Installation	Length of Dimension A
EF-0012-SBE	No	12"
EF-0012-SFE	Yes	12"
EF-0018-SBE	No	18"
EF-0018-SFE	Yes	18"
EF-0024-SBE	No	24"
EF-0024-SFE	Yes	24"

_____ Architect	____/____/____ Date	_____ Engineer	____/____/____ Date
_____ General Contractor	____/____/____ Date	_____ Plumbing Contractor	____/____/____ Date

Please email or fax a signed submittal sheet to the EverFab office to purchase.

Project Name:		Customer:		Date:	
Quote Number:		Model Number (select from below):		Seat Placement:	N/A
Customization Requested:					

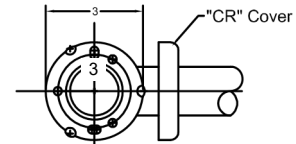
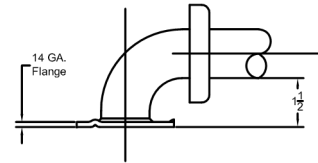
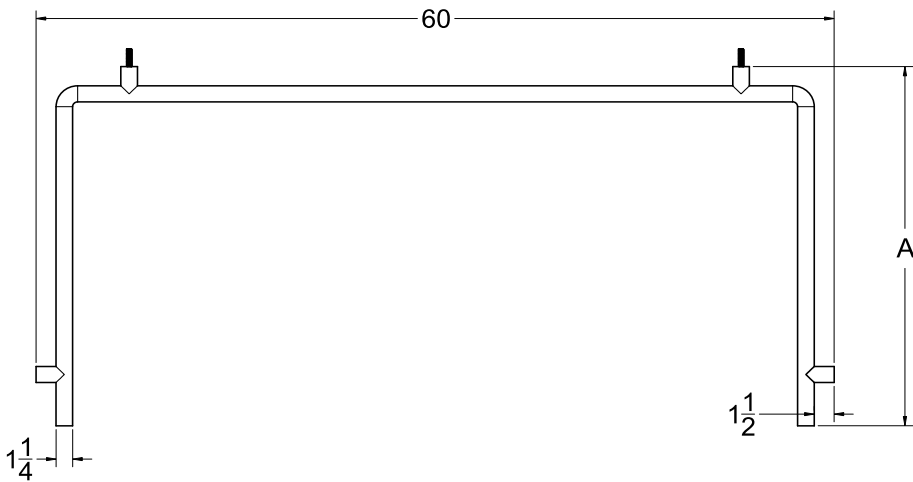
Standard Features and Measurements

- Meets ADA and ANSI requirements for size and strength when installed correctly
- Compatible with EverFab models S6334 and S6336

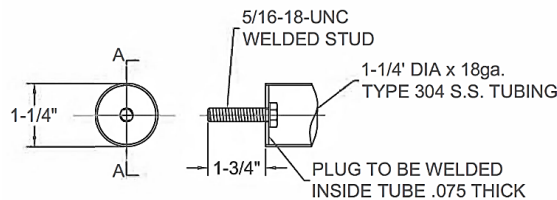
Style:	Elite Series U-Bar
Material:	Polished Stainless Steel
Approximate Weight:	14 lbs.

Optional Features

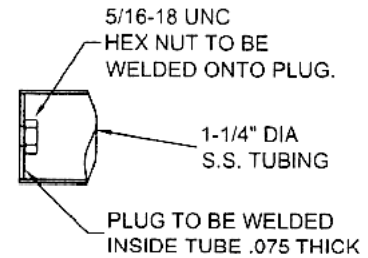
- Available with flanges for in-field installation



Detail of Flanged Option



Detail of Stud End



Detail of Internal Nut

Available Configurations

Model Number	Flanges For In-Field Installation	Length of Dimension A
EF-6336-UBE	No	30"
EF-6336-UFE	Yes	30"
EF-6334-UBE	No	28"
EF-6334-UFE	Yes	28"



_____	__/__/__	_____	__/__/__
Architect	Date	Engineer	Date
_____	__/__/__	_____	__/__/__
General Contractor	Date	Plumbing Contractor	Date

Please email or fax a signed submittal sheet to the EverFab office to purchase.

Email: info@everfabath.com | Fax: 503.743.8153 | Phone: 503.303.3300 | www.everfabath.com | PO Box 490, Aumsville, OR 97325

Due to the nature of the material all measurements may vary by ± 3/8". Dimensions needed for site preparation should be measured from the unit.



Project Name:		Customer:		Date:	
Quote Number:		Model Number (select from below):		Seat Placement:	N/A
Customization Requested:					

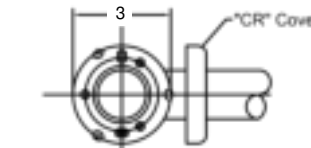
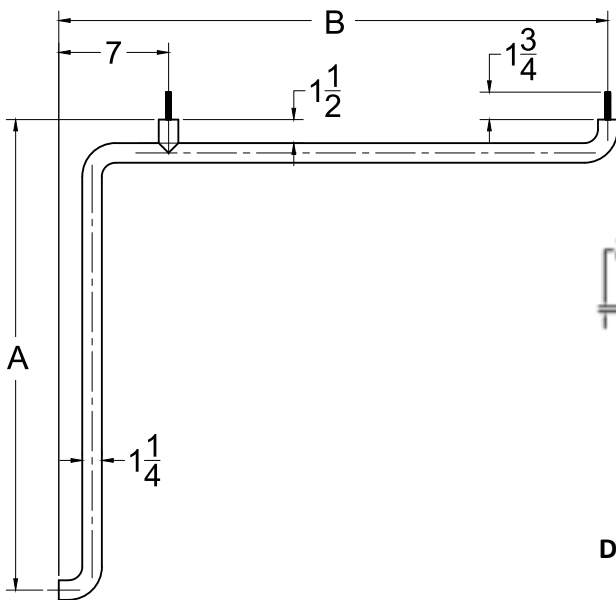
Standard Features and Measurements

- Meets ADA and ANSI requirements for size and strength when installed correctly
- Compatible with EverFab models S3839A, S4452A, S4839A, S6334A, and S6336A

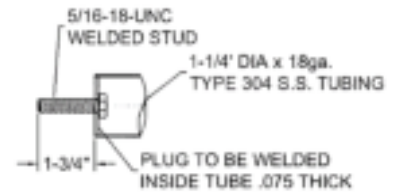
Style:	L-Bar
Material:	Type 304 Stainless Steel
Approximate Weight:	10-16 lbs.

Optional Features

- Available with flanges for in-field installation



Detail of Flanged Option



Detail of Stud



Detail of Internal Nut

Available Configurations



Model Number	Flanges for In-Field Installation	Length of Dimension A	Length of Dimension B
EF-3839-LB	No	33"	18"
EF-3839-LF	Yes	33"	18"
EF-6334-LB	No	28"	37 1/2"
EF-6334-LF	Yes	28"	37 1/2"
EF-6336-LB	No	30"	37 1/2"
EF-6336-LF	Yes	30"	37 1/2"
EF-4452-LB	No	46"	19 1/2"
EF-4452-LF	Yes	46"	19 1/2"

_____	____/____/____	_____	____/____/____
Architect	Date	Engineer	Date
_____	____/____/____	_____	____/____/____
General Contractor	Date	Plumbing Contractor	Date

Please email or fax a signed submittal sheet to the EverFab office to purchase.

Email: info@everfabath.com | Fax: 503.743.8153 | Phone: 503.303.3300 | www.everfabath.com | PO Box 490, Aumsville, OR 97325

Due to the nature of the material all measurements may vary by ± 3/8". Dimensions needed for site preparation should be measured from the unit.



Project Name:		Customer:		Date:	
Quote Number:		Model Number (select from below):		Seat Placement:	N/A
Customization Requested:					

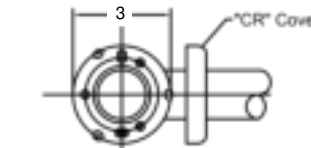
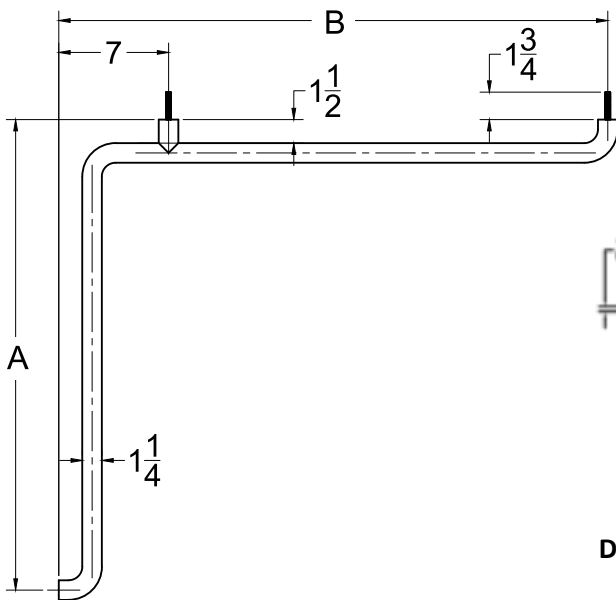
Standard Features and Measurements

- Meets ADA and ANSI requirements for size and strength when installed correctly
- Compatible with EverFab models S3839A, S4452A, S4839A, S6334A, and S6336A

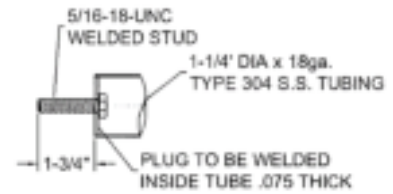
Style:	L-Bar
Material:	Type 304 Stainless Steel
Approximate Weight:	10-16 lbs.

Optional Features

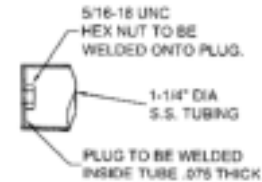
- Available with flanges for in-field installation



Detail of Flanged Option



Detail of Stud



Detail of Internal Nut

Available Configurations



Model Number	Flanges for In-Field Installation	Length of Dimension A	Length of Dimension B
EF-3839-LB	No	33"	18"
EF-3839-LF	Yes	33"	18"
EF-6334-LB	No	28"	37 1/2"
EF-6334-LF	Yes	28"	37 1/2"
EF-6336-LB	No	30"	37 1/2"
EF-6336-LF	Yes	30"	37 1/2"
EF-4452-LB	No	46"	19 1/2"
EF-4452-LF	Yes	46"	19 1/2"

_____	____/____/____	_____	____/____/____
Architect	Date	Engineer	Date
_____	____/____/____	_____	____/____/____
General Contractor	Date	Plumbing Contractor	Date

Please email or fax a signed submittal sheet to the EverFab office to purchase.

Email: info@everfabath.com | Fax: 503.743.8153 | Phone: 503.303.3300 | www.everfabath.com | PO Box 490, Aumsville, OR 97325

Due to the nature of the material all measurements may vary by ± 3/8". Dimensions needed for site preparation should be measured from the unit.

Project Name:		Customer:		Date:	
Quote Number:		Model Number (select from below):		Seat Placement:	N/A
Customization Requested:					

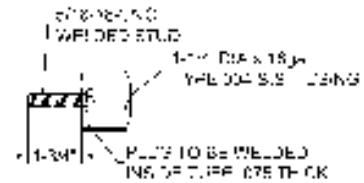
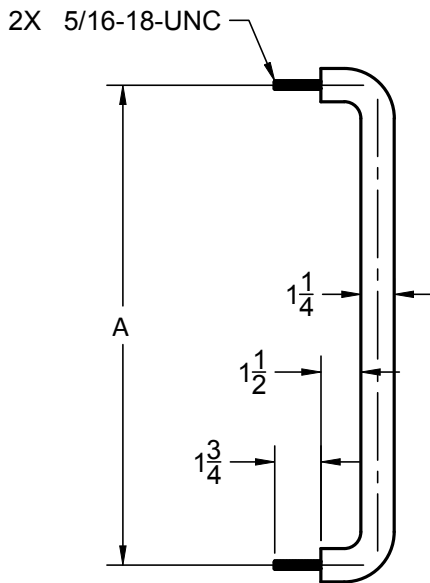
Standard Features and Measurements

- Meets ADA and ANSI requirements for size and strength when installed correctly
- Compatible with EverFab models TS6032, TSS6032, S3839, and S4839
- Supports 250 lbs. as verified by independent industry leading lab. See everfabbath.com/test-results for complete report

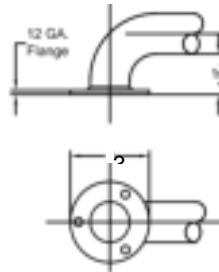
Style:	Straight-Bar
Material:	Type 304 Stainless Steel
Approximate Weight:	8 lbs.

Optional Features

- Available with flanges for in-field installation



Detail of Stud



Detail of Flanged Option



Detail of Internal Nut

Available Configurations

Model Number	Flanges For In-Field Installation	Length of Dimension A
EF-0012-SB	No	12"
EF-0012-SF	Yes	12"
EF-0018-SB	No	18"
EF-0018-SF	Yes	18"
EF-0024-SB	No	24"
EF-0024-SF	Yes	24"

_____	____/____/____	_____	____/____/____
Architect	Date	Engineer	Date
_____	____/____/____	_____	____/____/____
General Contractor	Date	Plumbing Contractor	Date

Please email or fax a signed submittal sheet to the EverFab office to purchase.

Project Name:		Customer:		Date:	
Quote Number:		Model Number (select from below):		Seat Placement:	N/A
Customization Requested:					

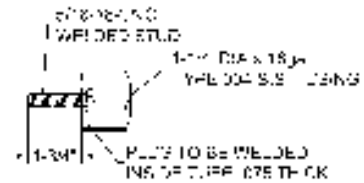
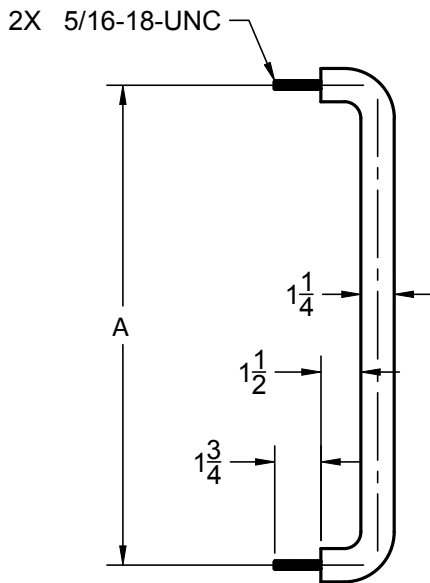
Standard Features and Measurements

- Meets ADA and ANSI requirements for size and strength when installed correctly
- Compatible with EverFab models TS6032, TSS6032, S3839, and S4839
- Supports 250 lbs. as verified by independent industry leading lab. See everfabbath.com/test-results for complete report

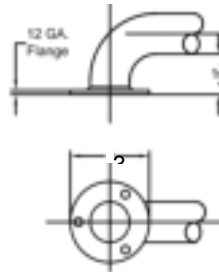
Style:	Straight-Bar
Material:	Type 304 Stainless Steel
Approximate Weight:	8 lbs.

Optional Features

- Available with flanges for in-field installation



Detail of Stud



Detail of Flanged Option



Detail of Internal Nut

Available Configurations

Model Number	Flanges For In-Field Installation	Length of Dimension A
EF-0012-SB	No	12"
EF-0012-SF	Yes	12"
EF-0018-SB	No	18"
EF-0018-SF	Yes	18"
EF-0024-SB	No	24"
EF-0024-SF	Yes	24"

_____	____/____/____	_____	____/____/____
Architect	Date	Engineer	Date
_____	____/____/____	_____	____/____/____
General Contractor	Date	Plumbing Contractor	Date

Please email or fax a signed submittal sheet to the EverFab office to purchase.

Project Name:		Customer:		Date:	
Quote Number:		Model Number (select from below):		Seat Placement:	N/A
Customization Requested:					

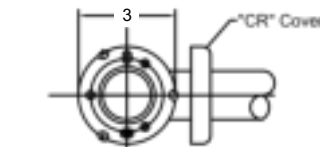
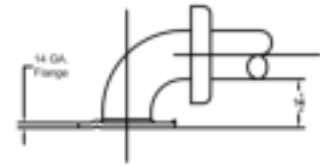
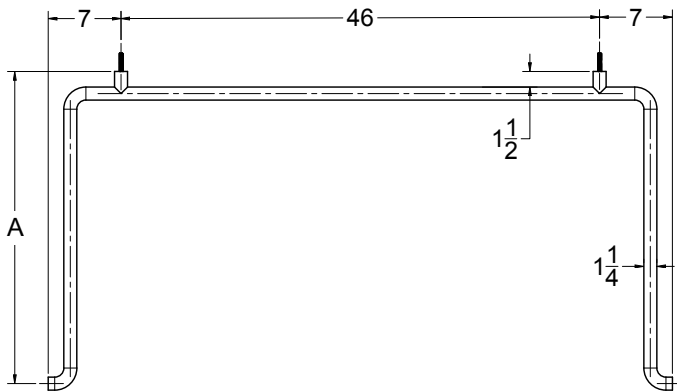
Standard Features and Measurements

- Meets ADA and ANSI requirements for size and strength when installed correctly
- Compatible with EverFab models S6334 and S6336

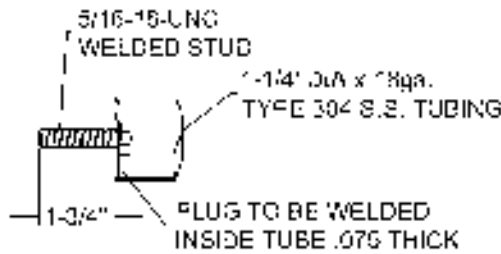
Style:	U-Bar
Material:	304 Stainless Steel
Approximate Weight:	14 lbs.

Optional Features

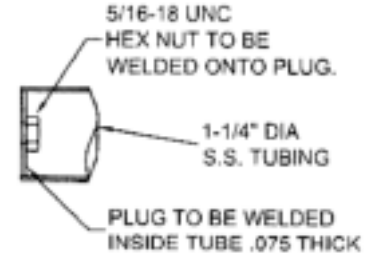
- Available with flanges for in-field installation



Detail of Flanged Option



Detail of Stud End



Detail of Stud End

Available Configurations

Model Number	Flanges For In-Field Installation	Length of Dimension A
EF-6336-UB	No	30"
EF-6336-UF	Yes	30"
EF-6334-UB	No	28"
EF-6334-UF	Yes	28"



_____	__/__/	_____	__/__/
Architect	Date	Engineer	Date
_____	__/__/	_____	__/__/
General Contractor	Date	Plumbing Contractor	Date

Please email or fax a signed submittal sheet to the EverFab office to purchase.

Email: info@everfabath.com | Fax: 503.743.8153 | Phone: 503.303.3300 | www.everfabath.com | PO Box 490, Aumsville, OR 97325

Due to the nature of the material all measurements may vary by $\pm 3/8"$. Dimensions needed for site preparation should be measured from the unit.

Project Name:		Customer:		Date:	
Quote Number:		Model Number (select from below):		Seat Placement:	N/A
Customization Requested:					

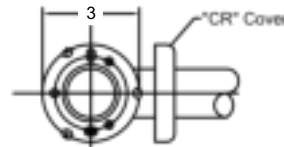
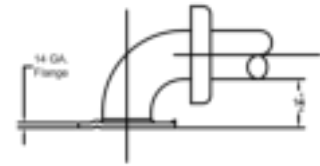
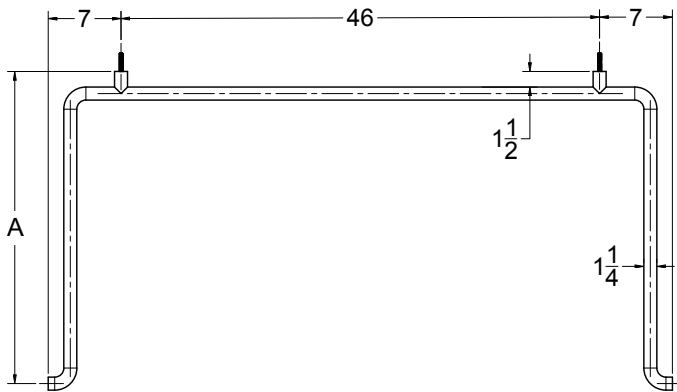
Standard Features and Measurements

- Meets ADA and ANSI requirements for size and strength when installed correctly
- Compatible with EverFab models S6334 and S6336

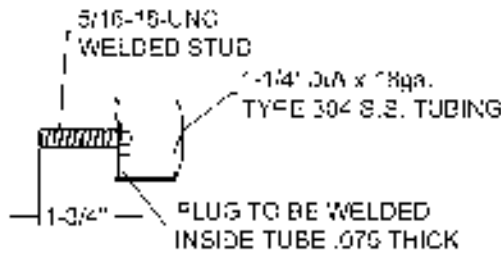
Style:	U-Bar
Material:	304 Stainless Steel
Approximate Weight:	14 lbs.

Optional Features

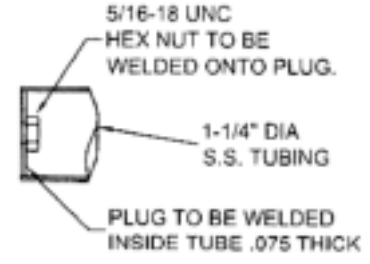
- Available with flanges for in-field installation



Detail of Flanged Option



Detail of Stud End



Detail of Stud End

Available Configurations

Model Number	Flanges For In-Field Installation	Length of Dimension A
EF-6336-UB	No	30"
EF-6336-UF	Yes	30"
EF-6334-UB	No	28"
EF-6334-UF	Yes	28"



_____	___/___/___	_____	___/___/___
Architect	Date	Engineer	Date
_____	___/___/___	_____	___/___/___
General Contractor	Date	Plumbing Contractor	Date

Please email or fax a signed submittal sheet to the EverFab office to purchase.

Email: info@everfabath.com | Fax: 503.743.8153 | Phone: 503.303.3300 | www.everfabath.com | PO Box 490, Aumsville, OR 97325

Due to the nature of the material all measurements may vary by $\pm 3/8"$. Dimensions needed for site preparation should be measured from the unit.