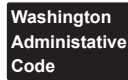


| | | | |
|---------------|--|---------------|--|
| Project Name | | Customer Name | |
| Quote Number | | Date | |
| Customization | | | |

Standard Features

| | |
|----------------------------|---|
| Type | One-piece roll-in type shower stall. Available in left or right hand configuration. |
| Color | White |
| Exterior Dimensions | 48"W x 38-3/4"D x 79-1/4"H |
| Materials | Gel coat and fiberglass composite |
| Approximate Weight | 135 lbs |

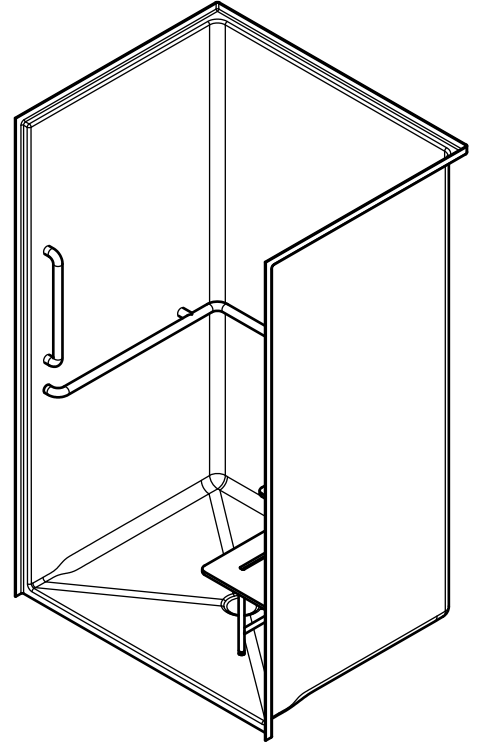
Certifications and Accessibility Code Compliance



Universal
Plumbing
Code

CSA B45.5-11 / IAPMO
Z124-2017

WAC 388-
78A-3030

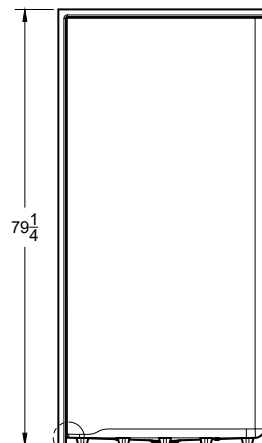
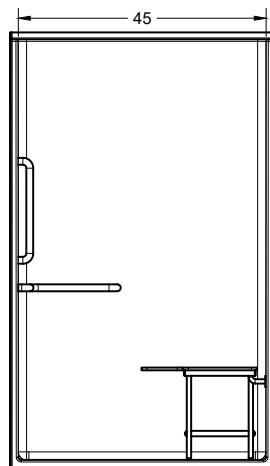
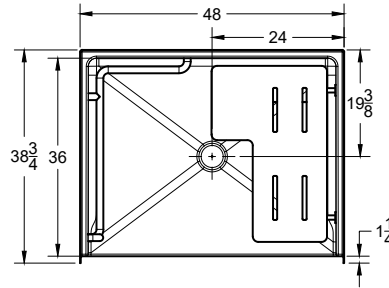


Warranty

30 Year Limited

Reinforcement

Fully reinforced with EverFab's unique composite core material which allows for factory or field installation of ADA/WAC compliant grab bars and seat

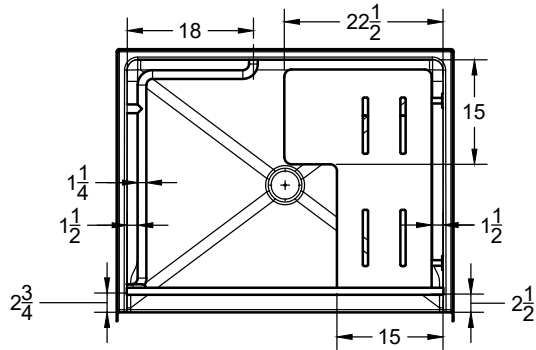


Threshold Detail
(See Submittal Page 3)

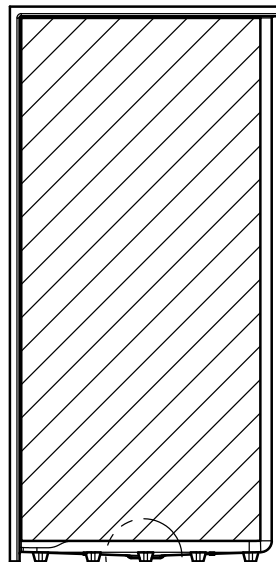
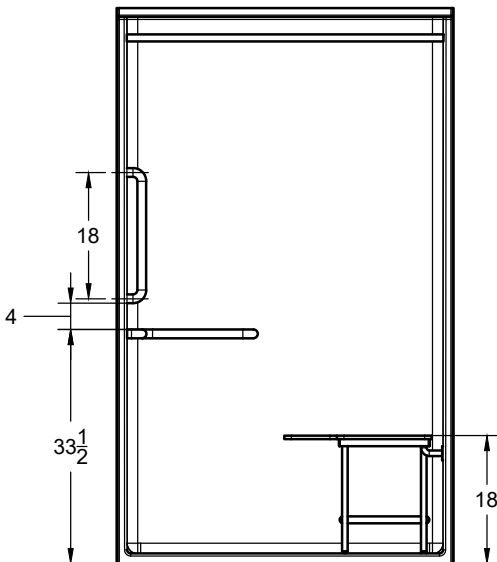
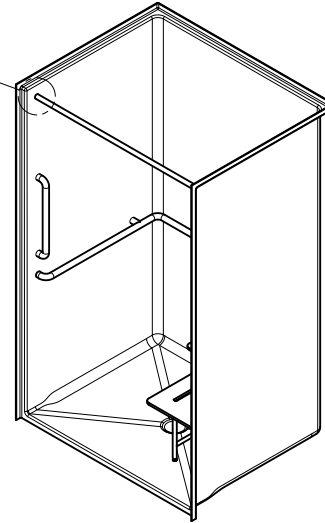
Reinforcing Bottom Plate

Due to the nature of the material, all measurements may vary by $\pm 3/8"$.
Dimensions needed for site preparation should be measured from the unit.

ADA Accessory Dimensions

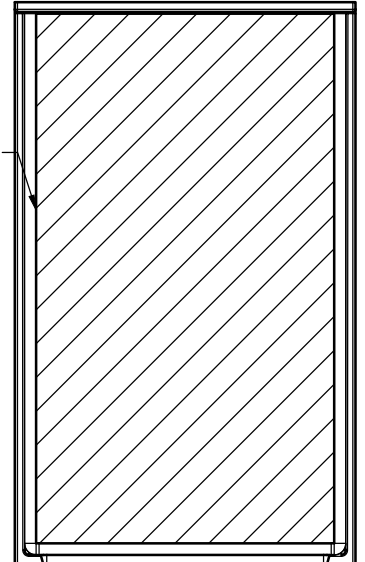


Curtain Rod Detail
(See Submittal Page 3)



Threshold Detail
(See Submittal Page 3)

Fully reinforced
with EverFab
core material
for factory or
field installation
of grab bars
and seat

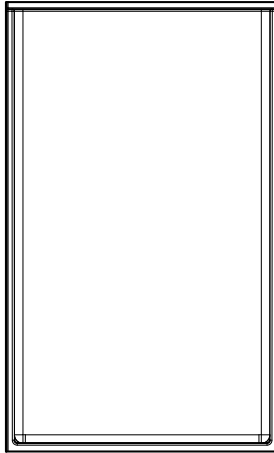


Architectural Specifications

A. Shower Stall:

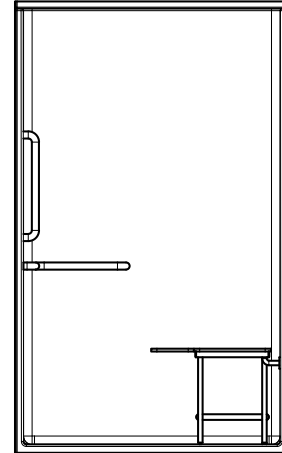
1. Model: No. S4839A-L/R
2. Description: One-piece shower stall with reinforcing bottom plate, slip-resistant floor, and inorganic composite reinforcement for placement of grab bars and seat
3. Exterior dimensions: 48 inches wide x 38-3/4 inches deep x 79-1/4 inches high
4. Rough-in: +1/8" -0" nominal dimensions
5. Threshold: [Standard] [Low Profile] Threshold Detail
6. Accessibility Accessories: [A0] [A1] [Custom] accessory configuration
7. Optional Accessories: Furnish with [curtain rod], [shower curtain], [recessed soap dish], [composite corner shelf], [shower slide-bar kit], [EverFab tub-wrap], [shower drain], [18" grab bar], [24" grab bar], [custom grab bar], [folding seat], [T-shaped EverDam]. If applicable, please indicate location of additional accessories on drawing
8. Accessory Style: [A0 - No Accessories], [Standard Thru-Bolted], [Flanged], [Elite Series], [Anti-Ligature], [Custom]
9. Accessory Finish: [A0 - No Accessories], [Standard Satin Stainless], [Matte Black], [Polished Stainless] [White], [Custom]

ADA Accessory Configurations (number following 'A' indicates configuration)



S4839A0

No Accessories



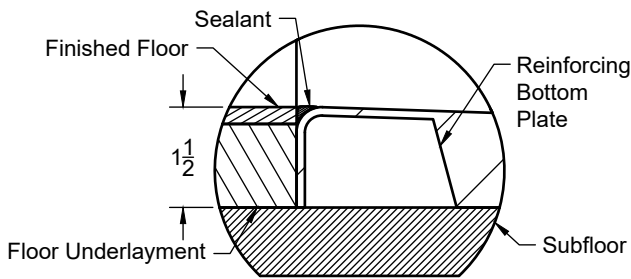
S4839A1-R

L-shaped grab bar

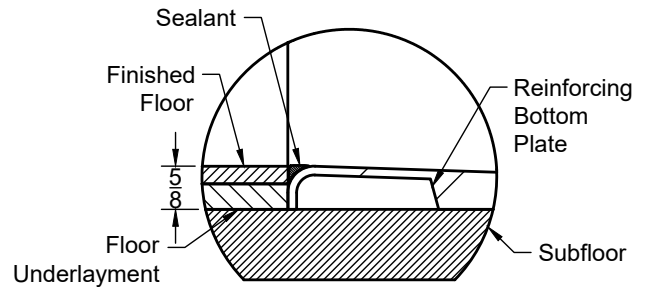
Seat

18" vertical grab bar

Threshold Details



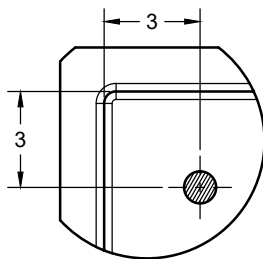
Standard



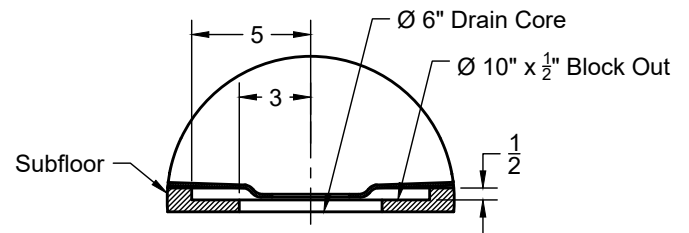
Low-Profile

Model number followed with 'LP'

Additional Details



Standard Curtain Rod Location



Drain Block-Out

Standard Threshold Models

| Model Number | Pre-Installed L-Shaped Grab Bar | Pre-Installed 18" Vertical Grab Bar | Pre-Installed Folding Seat | Drain Block Out Required | Accessibility Code Compliance |
|----------------------------------|---------------------------------|-------------------------------------|----------------------------|--------------------------|-------------------------------|
| <input type="checkbox"/> S4839A0 | No | No | No | No | Adaptable** |
| <input type="checkbox"/> S4839A1 | Yes | Yes | Yes | No | WAC |

Low Profile Threshold Models

| Model Number | Pre-Installed L-Shaped Grab Bar | Pre-Installed 18" Vertical Grab Bar | Pre-Installed Folding Seat | Drain Block Out Required | Accessibility Code Compliance |
|------------------------------------|---------------------------------|-------------------------------------|----------------------------|--------------------------|-------------------------------|
| <input type="checkbox"/> S4839A0LP | No | No | No | Yes | Adaptable** |
| <input type="checkbox"/> S4839A1LP | Yes | Yes | Yes | Yes | WAC |

**Model is reinforced and capable of meeting WAC accessibility code requirements with proper field-installation of grab bars and seat

Seat Placement (indicated by '-L' or '-R' following model number if applicable)*

- Left Hand Right Hand

*Seat placement is determined as if outside the unit looking in. For clarity, a right hand model is shown in all drawings.

Optional Accessories†

- | | |
|---|---|
| <input type="checkbox"/> Curtain Rod | <input type="checkbox"/> Shower Drain |
| <input type="checkbox"/> Shower Curtain | <input type="checkbox"/> 18" grab bar |
| <input type="checkbox"/> Recessed Soap Dish | <input type="checkbox"/> 24" grab bar |
| <input type="checkbox"/> Composite Corner Shelf | <input type="checkbox"/> Custom grab bar, please specify: |
| <input type="checkbox"/> Shower Slide-Bar Kit | <input type="checkbox"/> Folding seat |
| <input type="checkbox"/> EverFab Tub-Wrap | <input type="checkbox"/> T-Shaped EverDam |

Accessory Style

- Thu-bolted (Standard)
- Flanged
- Elite Series
- Anti-ligature
- Custom, please specify:

Accessory Finish

- Satin Stainless (Standard)
- Matte Black
- Polished Stainless
- White
- Custom, please specify:

†If applicable, please select accessory style and finish from options above. If custom, please also indicate desired location(s) on drawing.