

SHOWER
Traditional Exposed Thermostatic
Tub and Shower System - w/Metal
Handshower Handle
CD2.11-C2S

GRAFF®



Information

- 1/2" Thermostatic Valve
- Stop/Volume Control Valves
- Showerhead, 12" shower arm, flange
- Includes matching handshower w/ metal handle
- Includes 59" shower hose
- Showerhead Features No-Clog, Easy-Clean Spray Nozzles
- Flow Rates: showerhead ≤ 2.0 max gpm, handshower ≤ 1.5 max gpm
- CALGreen

SHOWER
Traditional 8" Showerhead
G-8410

GRAFF®



Information

- Sunflower shape
- 112 no-clog, easy-clean rubber spray nozzles
- Metal ball-joint allows for showerhead angle adjustment
- Showerhead flow rate ≤ 1.8 max gpm
- Recommend use with ceiling shower arm
- Recommended for use at no more than 10 degrees tilt
- CALGreen

Finishes



Olive Bronze



Polished
Chrome

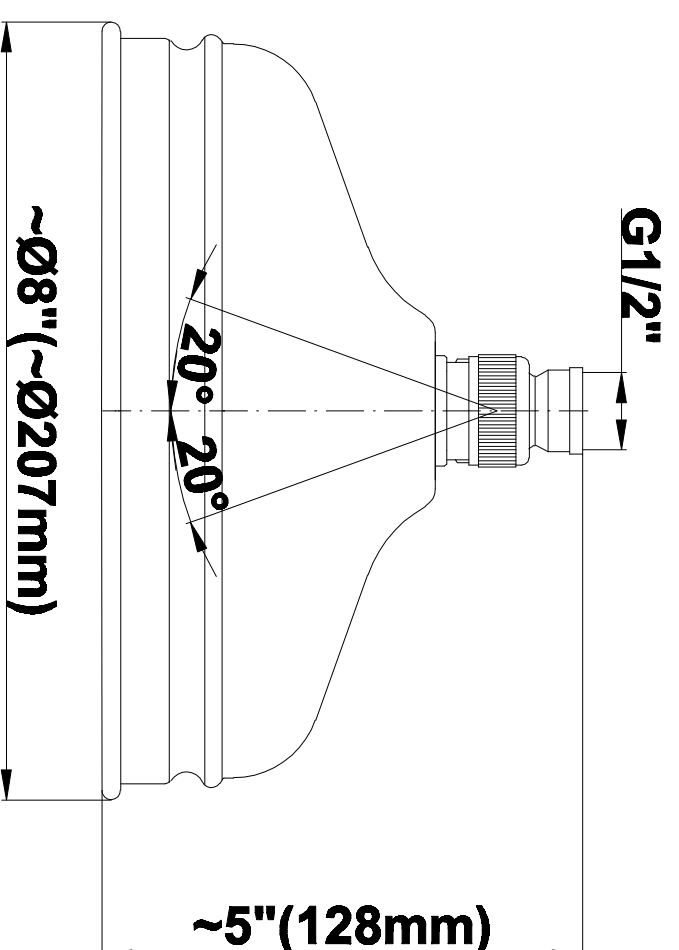


Polished
Nickel



Steelnox®
(Satin Nickel)

G-8410



SHOWER
Exposed Thermostatic Valve
G-8900

GRAFF®



Finishes



Olive Bronze



Polished
Chrome



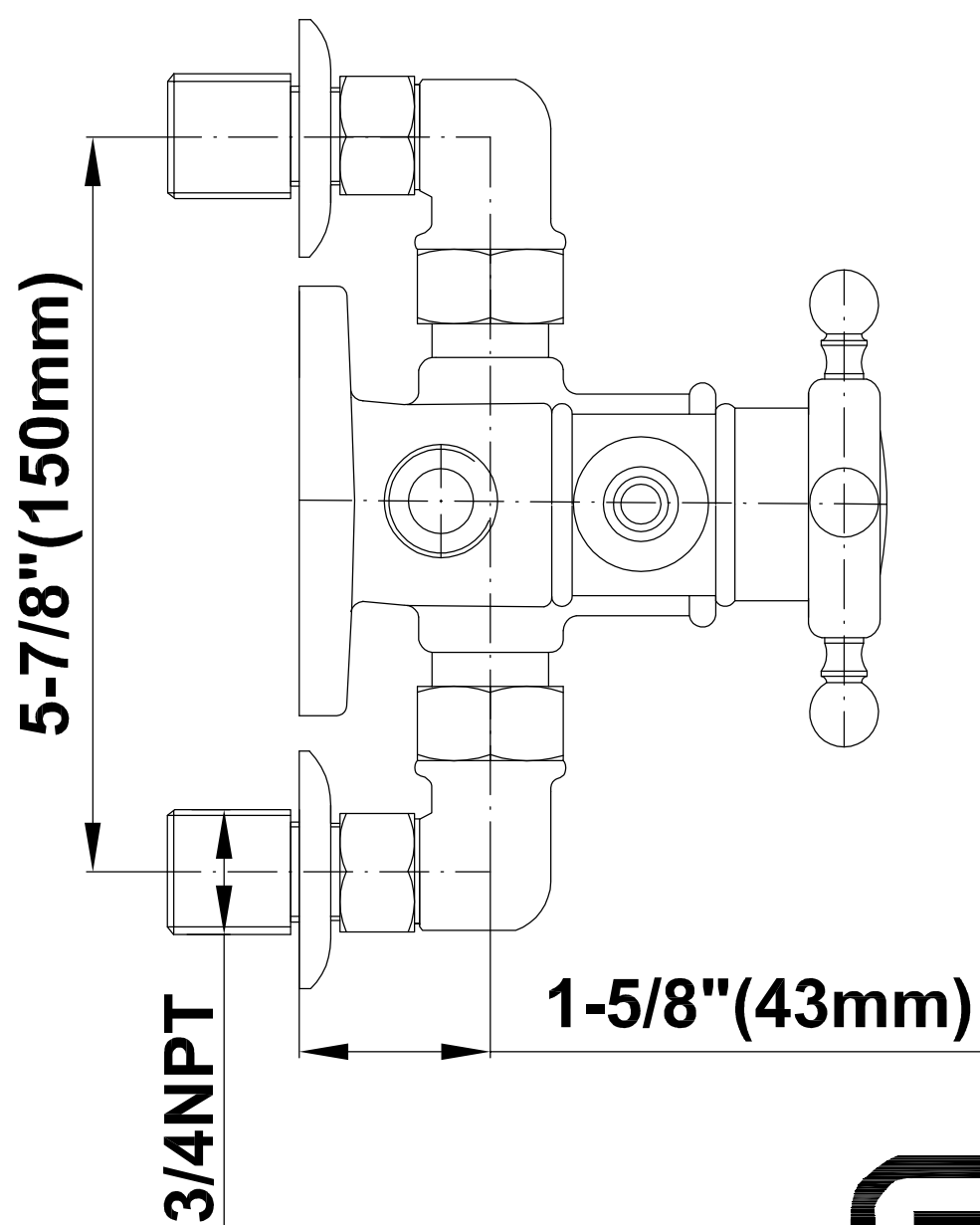
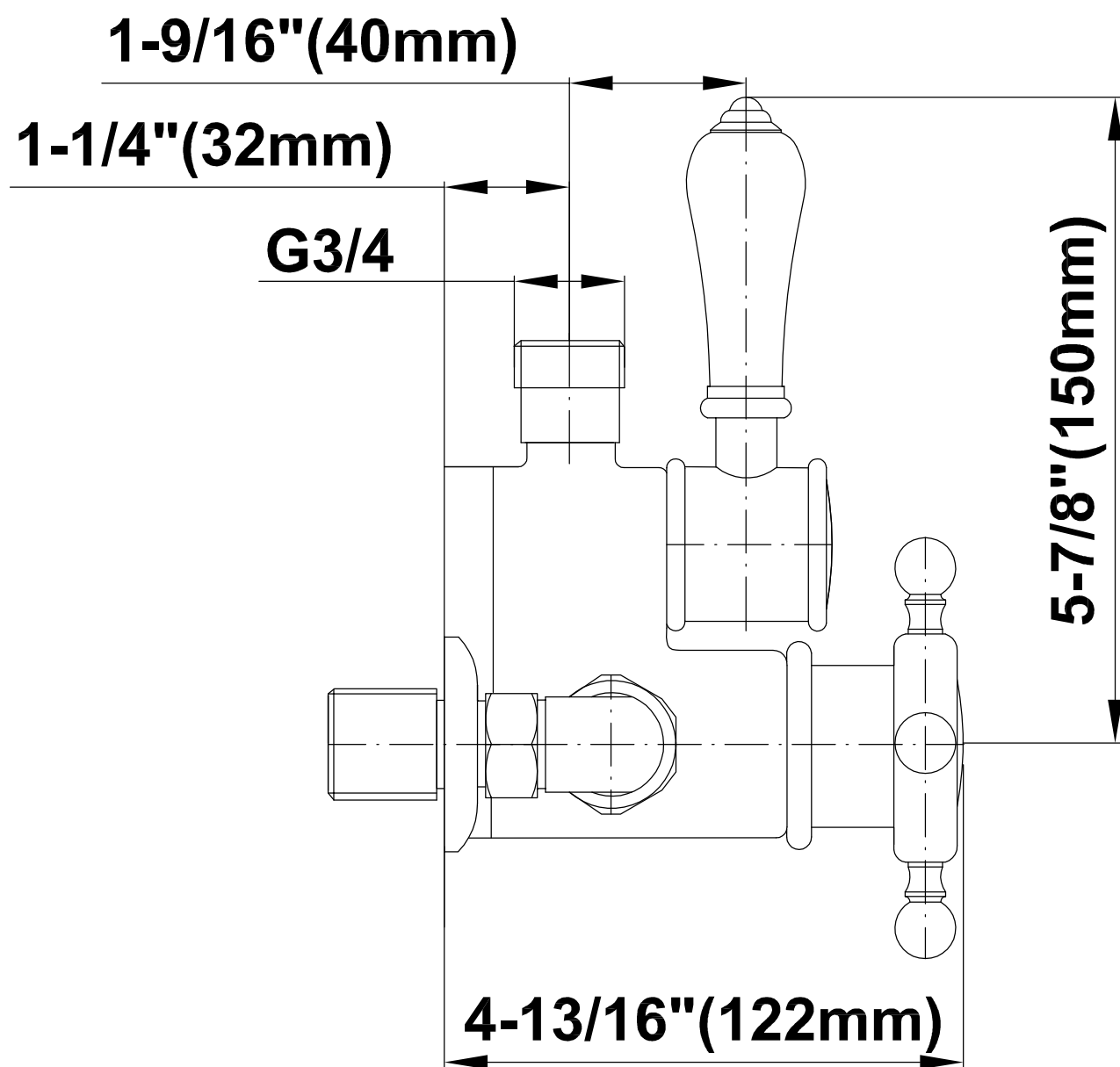
Polished
Nickel



Steelnox®
(Satin Nickel)

G-8900

Exposed Thermostatic Valve



SHOWER
Exposed Riser with Handshower
G-8932-C2S

GRAFF®



Information

- Includes matching handshower w/ceramic handle
- Includes 59" shower hose
- Optional Metal Handshower Handle - Use code CD2.11-***-**
- CALGreen

Finishes



Olive Bronze



Polished
Chrome



Polished
Nickel



Steelnox®
(Satin Nickel)

G-8932

Exposed Riser

