



Information

- Single hole installation
- Aerated flow rate ~2.2 gpm @60 psi
- Includes pop-up drain assembly with overflow
- ADA

Finishes



24K Gold



24K Brushed Gold



24K Brushed Gold with Onyx PVD Accents



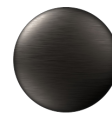
Brushed Brass PVD



Architectural Black™



Brushed Nickel



Brushed Onyx PVD®



Gunmetal



Matte Black



Olive Bronze



Onyx PVD®



Polished Brass PVD



Polished Chrome



Polished Chrome with Onyx PVD Accents



Polished Nickel



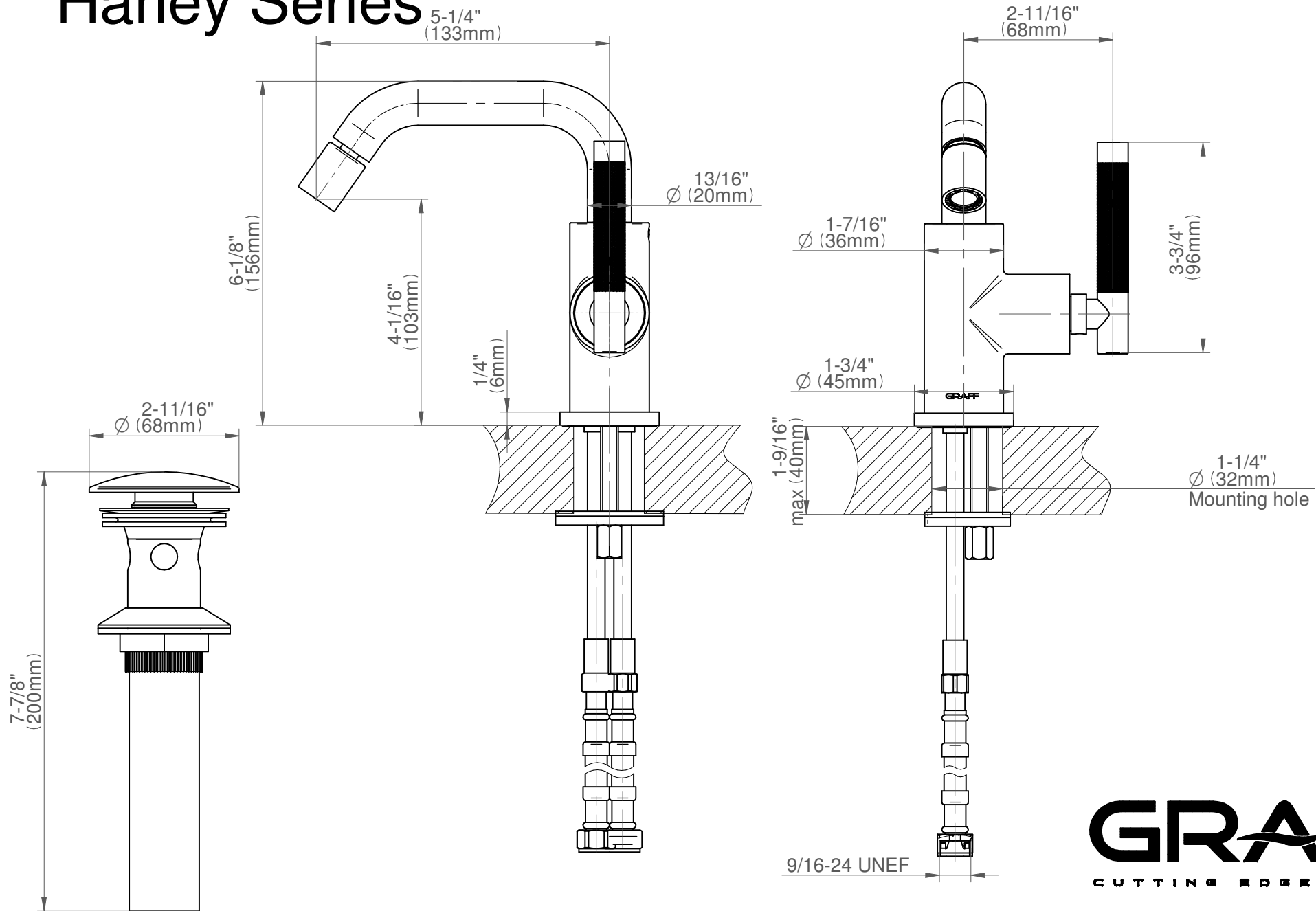
Polished Nickel with Onyx PVD Accents



Architectural White

G-11460-LM57

Harley Series



GRAFF[®]
CUTTING EDGE DESIGN