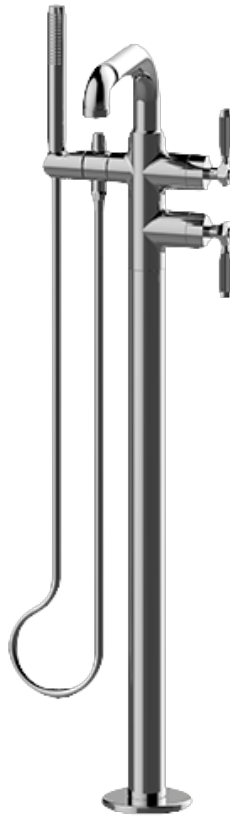


BATHROOM  
Vintage Floor-Mounted Tub Filler  
**G-11354-LM56B**

---

**GRAFF®**

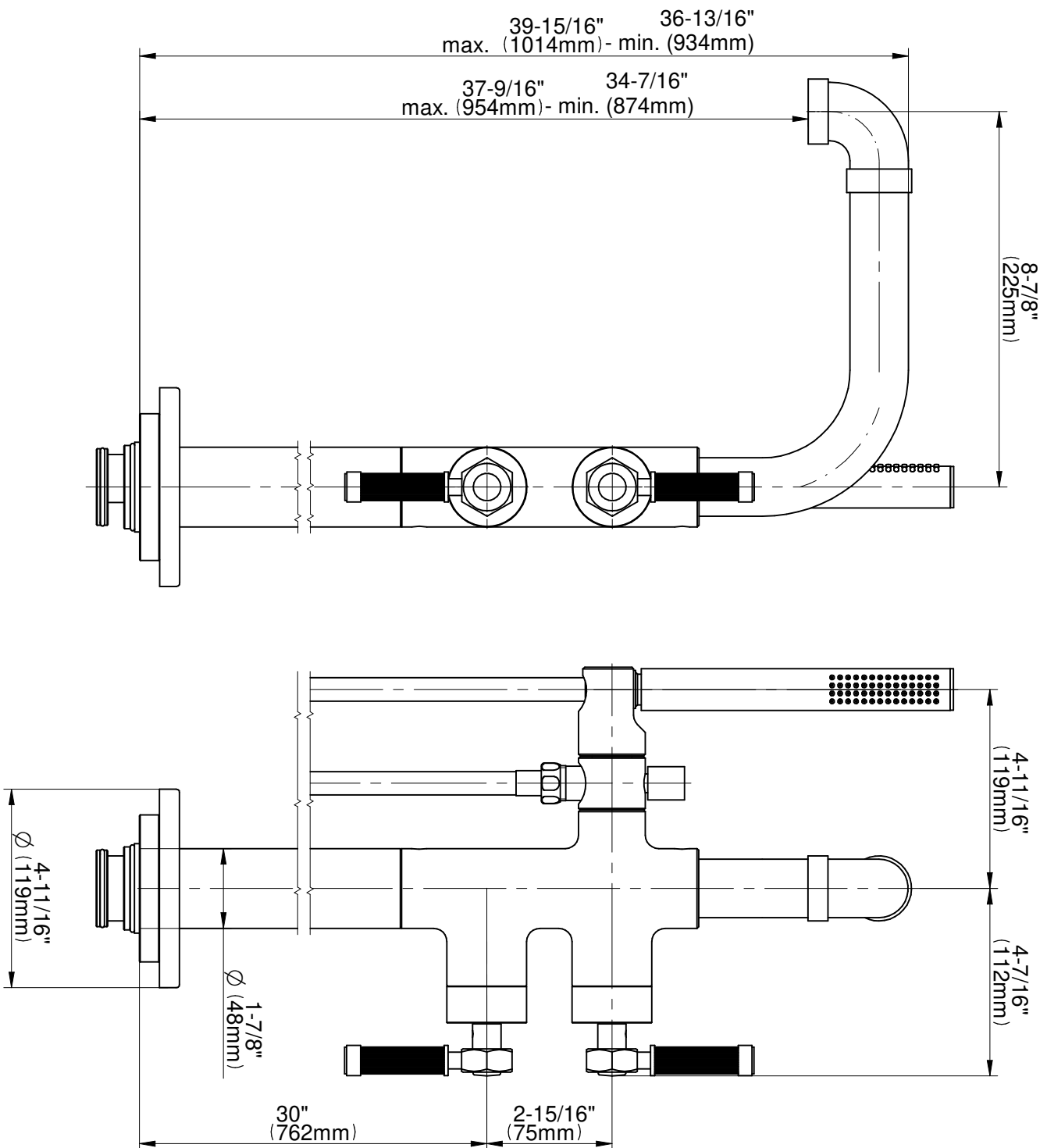


### **Information**

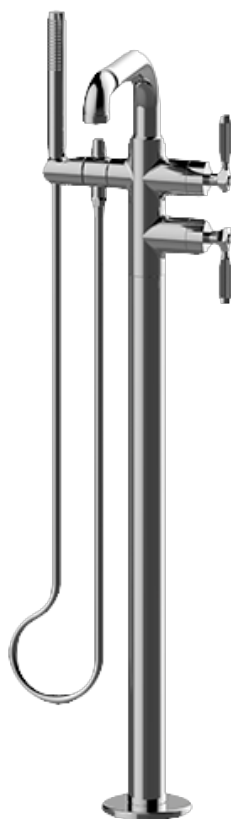
- Floor-mount installation
- Aerated spout flow rate ~7 gpm @ 45 psi
- Handshower flow rate  $\leq$  1.5 max gpm
- 8-3/16" spout reach
- 34-15/16" - 40-1/2" approximate height
- Includes handshower with 59" spiral flexible hose
- Optional in-line pressure balancing valve
- ADA

# G-11354-LM56B-T

## Vintage Series



Works with rough G-1045



## Information

- Floor-mount installation
- Aerated spout flow rate ~7 gpm @ 45 psi
- Handshower flow rate ≤ 1.5 max gpm
- 8-3/16" spout reach
- 34-15/16" - 40-1/2" approximate height
- Includes handshower with 59" spiral flexible hose
- Optional in-line pressure balancing valve
- ADA

## Finishes

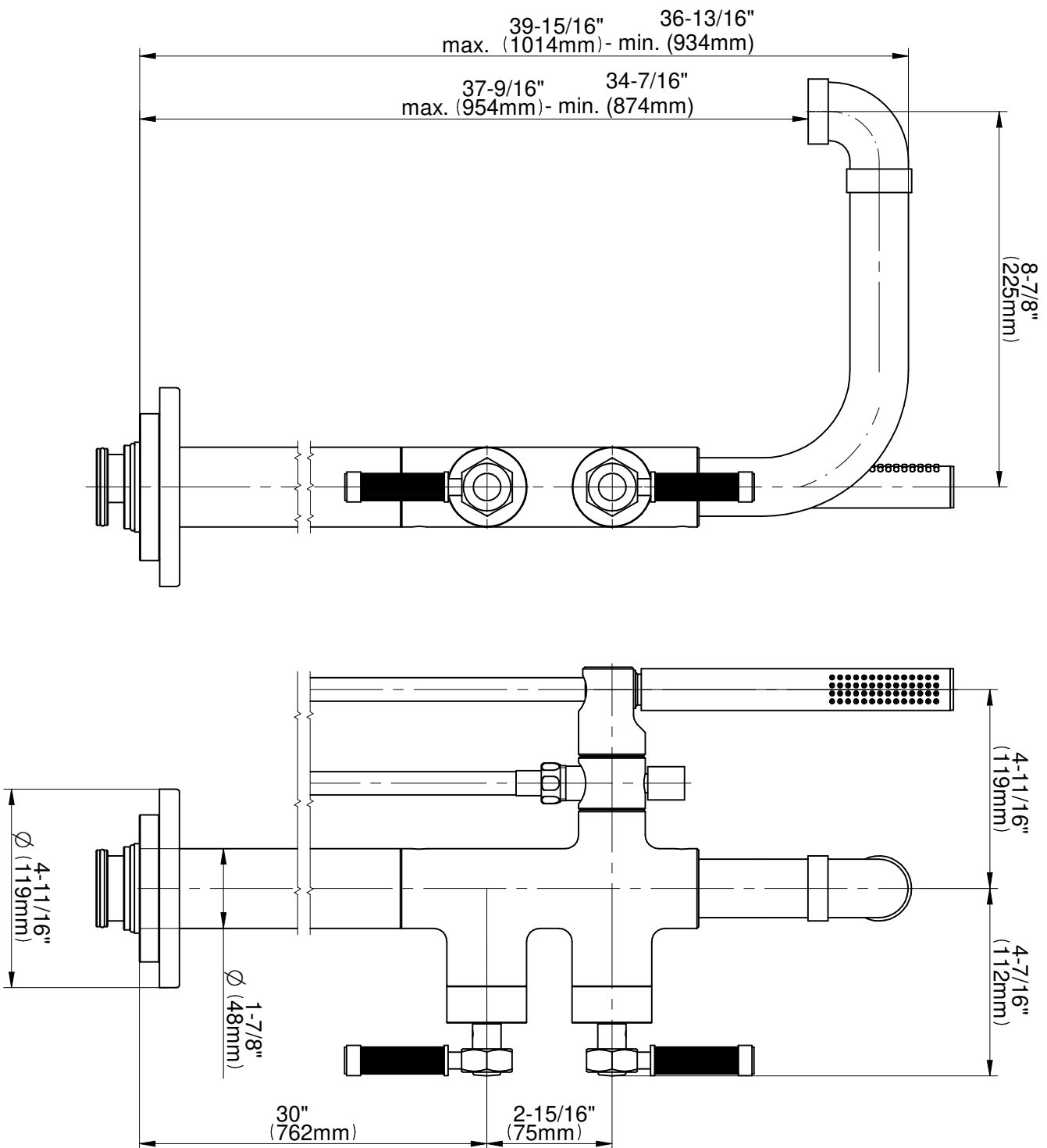




Architectural  
White

# G-11354-LM56B-T

## Vintage Series



Works with rough G-1045



BATHROOM  
Spout Connection Rough  
**G-1045**



**Finishes**



24K Gold



24K Brushed Gold



24K Brushed Gold with Black Accents



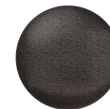
Architectural Black™



Brushed Nickel



Gunmetal



Gunmetal Distressed



Matte Black



Olive Bronze



Polished Chrome



Polished Chrome with Black Accents



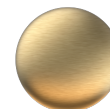
Polished Nickel



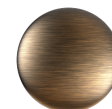
Polished Nickel with Black Accents



Unfinished Brass



Unfinished Brushed Brass



Brushed Brass



Architectural White

**G-1045**  
Spout Connection Rough



**Product Features**

- Mud guard displays minimum and maximum floor depth
- Rough can be installed in any orientation making it convenient to route pipes to the rough
- Trim can be rotated 360 degrees in any directions
- Averages 10 GPM with most trim

**Warranty**

- Limited lifetime warranty

For complete warranty information go to <http://www.graff-faucets.com/en/info/faqs>

