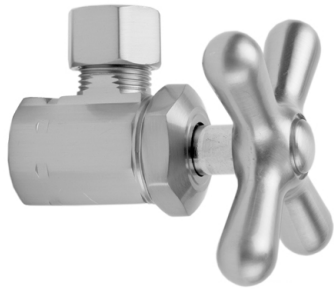


Multi Turn Angle Pattern 1/2" IPS x 3/8" O.D. Supply Valve with Cross Handle

Model #: 586X-

FEATURES:

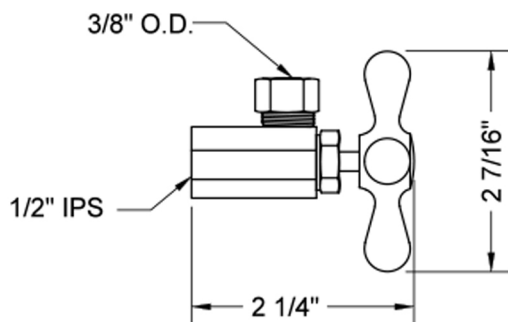
- Angle pattern IPS x 3/8" O.D. multi turn style valve
- 1/2" IPS inlet x 3/8" O.D. outlet
- All brass body and stem



AVAILABLE FINISHES:

Polished Chrome (PCH)	Satin Chrome (SC)	Satin Nickel (SN)
Polished Nickel (PN)	Antique Brass (AB)	Oil-Rubbed Bronze (ORB)
Polished Brass (PB)	Vintage Bronze (VB)	

SPECIFICATION DRAWING:



AVAILABLE HANDLES:



COMPLIANCES:

Complies with: ASME A112.18.1-2012/CSA B125.1-12