

24" zeroEDGE Side Outlet Channel Drain Body

Model #: 85224-

FEATURES:

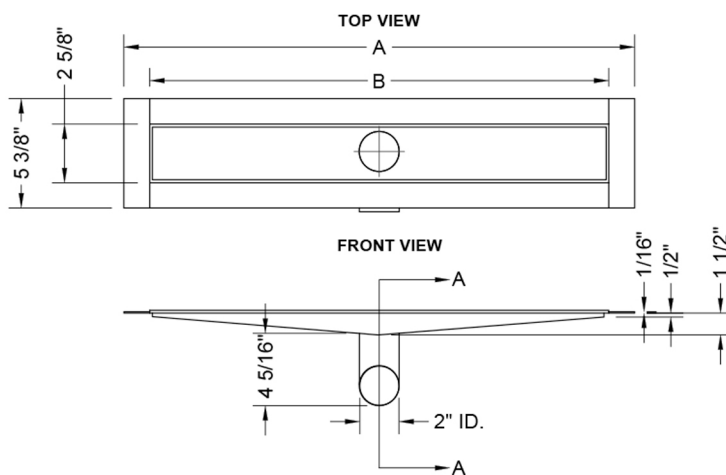
- 304 stainless steel construction
- 2" side outlet
- Nominal Size: 24"
- No sub drain required
- Easy install design
- Available in BSS ONLY, as body is not visible
- JACLO grates sold separately



AVAILABLE FINISHES:

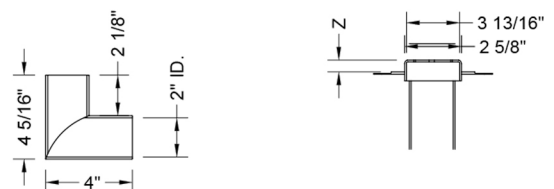
Brushed Stainless (BSS)

SPECIFICATION DRAWING:



| BOTTOM OUTLET SHOWER CHANNEL BODY ONLY | | | | TILE HEIGHT ABOVE FLANGE (Grate Height) | |
|----------------------------------------|-------------------|-----------|---------|--------------------------------------------|-----------|
| PART. # | DESCRIPTION | A | B | Z Min. | Z Max. |
| 85224-xxx | 24" BOTTOM OUTLET | 25 1/8" | 22 3/8" | 9/16" | 1" |
| 85232-xxx | 32" BOTTOM OUTLET | 33" | 30 1/4" | 9/16" | 1" |
| 85236-xxx | 36" BOTTOM OUTLET | 36 15/16" | 34 1/4" | 11/16" | 1 1/8" |
| 85242-xxx | 42" BOTTOM OUTLET | 44 13/16" | 42 1/8" | 9/16" | 1" |
| 85248-xxx | 48" BOTTOM OUTLET | 48 3/4" | 46" | 9/16" | 1" |
| 85260-xxx | 60" BOTTOM OUTLET | 60 9/16" | 57 1/8" | 5/8" | 1 1/16" |

DETAIL A



COMPLIANCES:



Complies with: ASME A112.18.2-2015/CSA B125.2-15