

Carbon Steel Ball Valve



**2 Piece • Full Port • Threaded Connection • 1000 WOG •
Stainless Steel Ball and Stem**



T-CS-1001N-SS

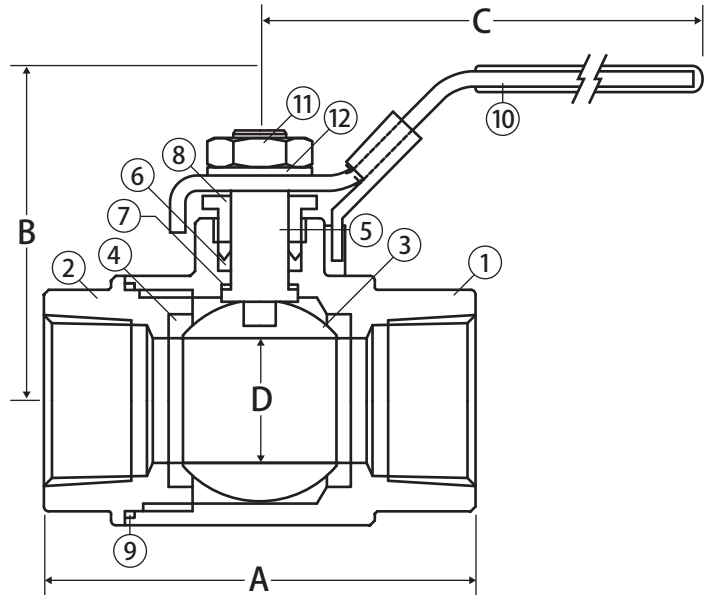
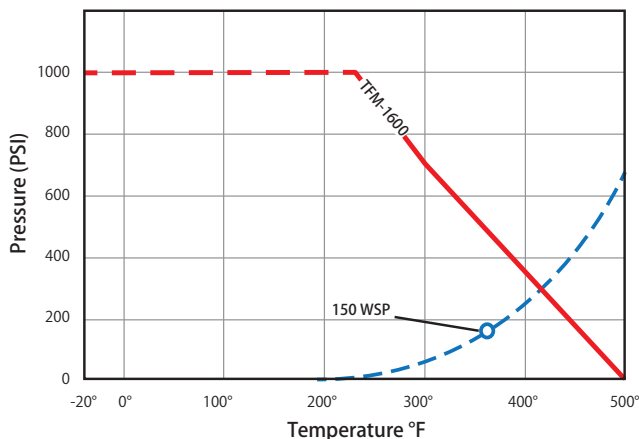
Features

- Solid ball construction
- Latch lock handle may be locked in open or closed position
- 29 in-Hg vacuum rating
- 100% leak tested
- Wetted surfaces contain less than .25% lead content

Approvals

- UL Listed
 - MHKZ - Manual valves
 - YQNZ - Compressed gas shut-off valves
 - YRBX - Flammable liquid shut-off valves
 - YRPV - Gas shut-off valves
 - YSDT - LP gas shut-off valves
 - YQAR - Anhydrous ammonia shut-off valves
- Conforms to API 598
- ANSI B16.34
- MSS SP-110, SP-61, SP-82
- NACE Certified
- ANSI B1.20.1

Valve Seat Rating 1000 WOG - 150 WSP



Material Specifications

No.	Part	Materials
1	End Connection	WCB Carbon Steel
2	Ball	CF8M Stainless Steel
3	Seat (2)	Hostaflo [®] TFM 1600
4	Stem	316 Stainless Steel
5	Packing (2)	RPTFE
6	Stem Seal	Hostaflo [®] TFM 1600
7	Packing Gland	1045 Carbon Steel
8	Body Seal	Hostaflo [®] TFM 1600
9	Handle	A283 Carbon Steel
10	Handle Nut	A283 Carbon Steel
11	Lock Washer	1008 Carbon Steel
12	Handle Nut	304 Stainless Steel

Dimensions

Part No.	Size	A	B	C	D	Torque
100-971	1/4"	2.20	2.20	4.21	0.43	40
100-972	3/8"	2.20	2.20	4.21	0.43	40
100-973	1/2"	2.60	2.30	4.21	0.56	40
100-974	3/4"	2.99	2.79	5.73	0.81	60
100-975	1"	3.54	2.96	5.73	1.00	70
100-976	1-1/4"	3.94	3.56	7.45	1.25	110
100-977	1-1/2"	4.41	3.84	7.45	1.50	170
100-978	2"	5.00	4.24	8.08	1.97	250

WARNING: This product can expose you to chemicals including diisononyl phthalate (DINP), which is known to the State of California to cause cancer, and diisononyl phthalate (DINP), which is known to the State of California to cause birth defects or other reproductive harm. For more information go to www.P65Warnings.ca.gov.