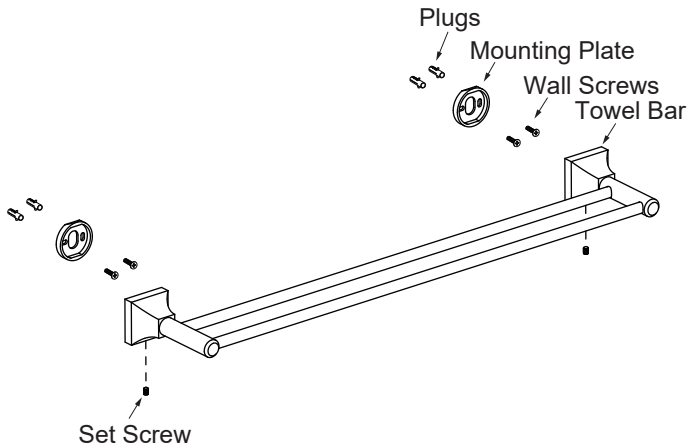




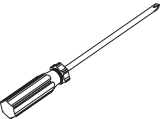
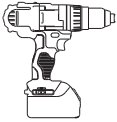

GLASGOW COLLECTION

DOUBLE TOWEL BARS

390242



Tools required for installation

| | |
|---|---|
|  |  |
| Level | Pencil |
|  |  |
| Screwdriver | Drill |
| |  |
| | Hammer |

Step 1

Loosen the set screw on the accessory and remove the backing plates. Position the accessory against the wall and mark outline with pencil.

Step 2

Position the backing plates flat side down on the wall and mark holes with pencil.

Step 3

Predrill 3/16" holes on the wall to fit wall plugs. Insert wall plugs into the wall. Position backing plates flat side down over the plugs and install screws.

Step 4

Slide the accessory onto the backing plates and tighten the set screws using Allen key provided.