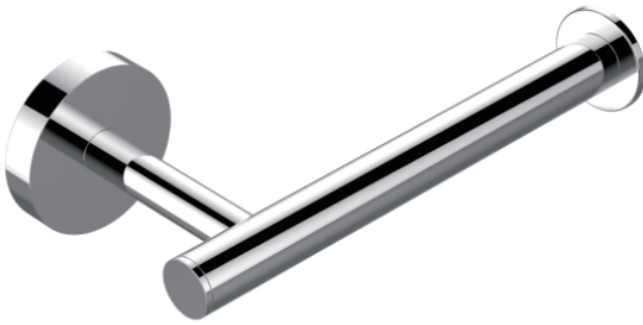


BUILDERS SERIES

353

PAPER HOLDER 353151



PRODUCT NAME: PAPER HOLDER

PRODUCT CODE: 353151

MATERIAL: All-brass construction

KEY FEATURES: Round, Contemporary design.
Brass product at a builders budget.

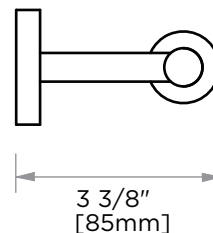
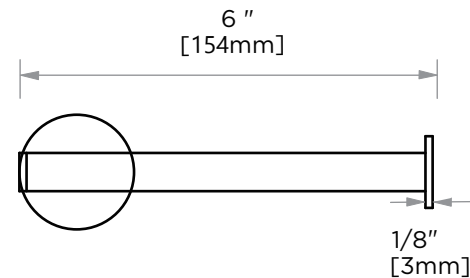
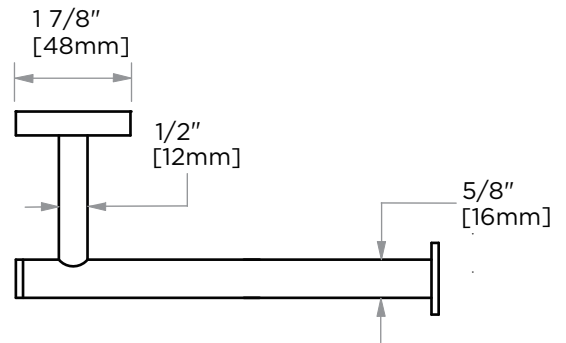
STOCKED FINISHES:

- Polished Chrome (99)
- Brushed Nickel (81)
- Matte Black (48)

SPECIAL FINISHES AVAILABLE: 26 options available.
Please see our website for full list samples

WARRANTY:

Lifetime Limited (Residential Use)
One Year (Commercial Use)



NOTE: Dimensions and specifications are subject to change without notice.