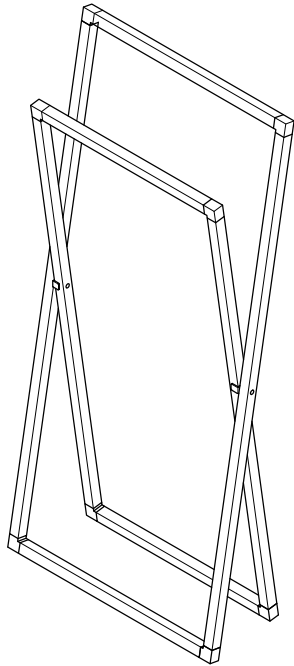


KINGSTON

KITCHEN & BATH

Pedestal X-Style Steel Frame Towel Rack Installation

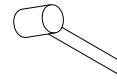


Parts:

Straight Tube		"S" bracket	Gasket
		 2 Pcs	 4 Pcs
		Counterweight rod	Two-way connector
A	15-1/8" 2 Pcs	 2 Pcs	 8 Pcs
B	13-1/2" 2 Pcs		
C	30-1/2" 2 Pcs		
D	34-5/8" 2 Pcs		

www.kingstonbrass.com
 TOLL-FREE CUSTOMER SERVICE: 1-877-2-KBRASS
 TECHNICAL SUPPORT E-mail: service@kingstonbrass.com
 12775 Reservoir Street, Chino, CA 91710

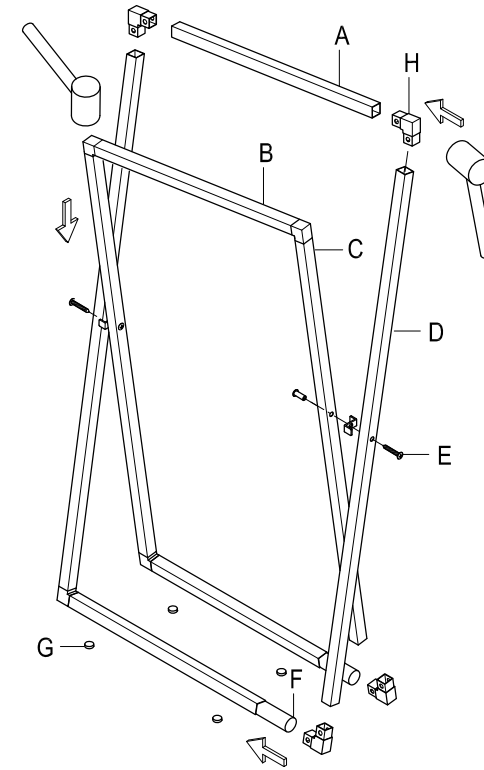
TOOLS REQUIRED



Rubber Mallet



Allen Wrench



Installation Steps:

- Sort Straight tubes by length, you should have 2 of each length, insert a counterweight rod (part F) into a tube A (15-1/8") and one into tube B (13-1/2"), make sure each tube has two small holes on one side.
- Using two-way connectors (part H) assemble 2 frames, one using tubes A & C and the other frame using tubes B & D, making sure that the holes on the tube that has the counterweight rods are facing towards the outside of the frame, two-way connectors (part H) should be gently tapped into place using a rubber mallet.
- Attach the two frames together using the "S" bracket (part E) and the plug and screw included in your hardware package.
- Complete the installation by using the gaskets (part G) to cover the exposed holes on the bottom of the towel rack.

Cleaning

Clean with a damp cloth only.
 Avoid using metal or abrasive polishes.