



Buy it for looks. Buy it for life.®

# Specifications

## DESCRIPTION

- Metal construction with various finishes identified by suffix
- 1/2" IPS connection

## OPERATION

- Flow levers operate counterclockwise through 180 degree arc with off at 6 o'clock and maximum flow at the 12 o'clock position. Shut off in clockwise direction

## FLOW

- 5.5 gpm @ 60 psi

## CARTRIDGE

- 1224 cartridge design
- Nonmetallic and stainless steel materials

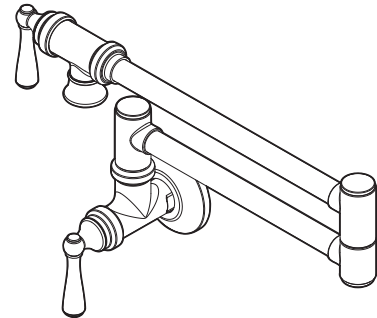
## STANDARDS

- Third party certified to ASME A112.18.1/CSA B125.1 and all applicable requirements therein including NSF 61/9
- Contains no more than 0.25% weighted average lead content
- Complies with California Proposition 65 and with the Federal Safe Drinking Water Act

- **ADA**  for lever handle

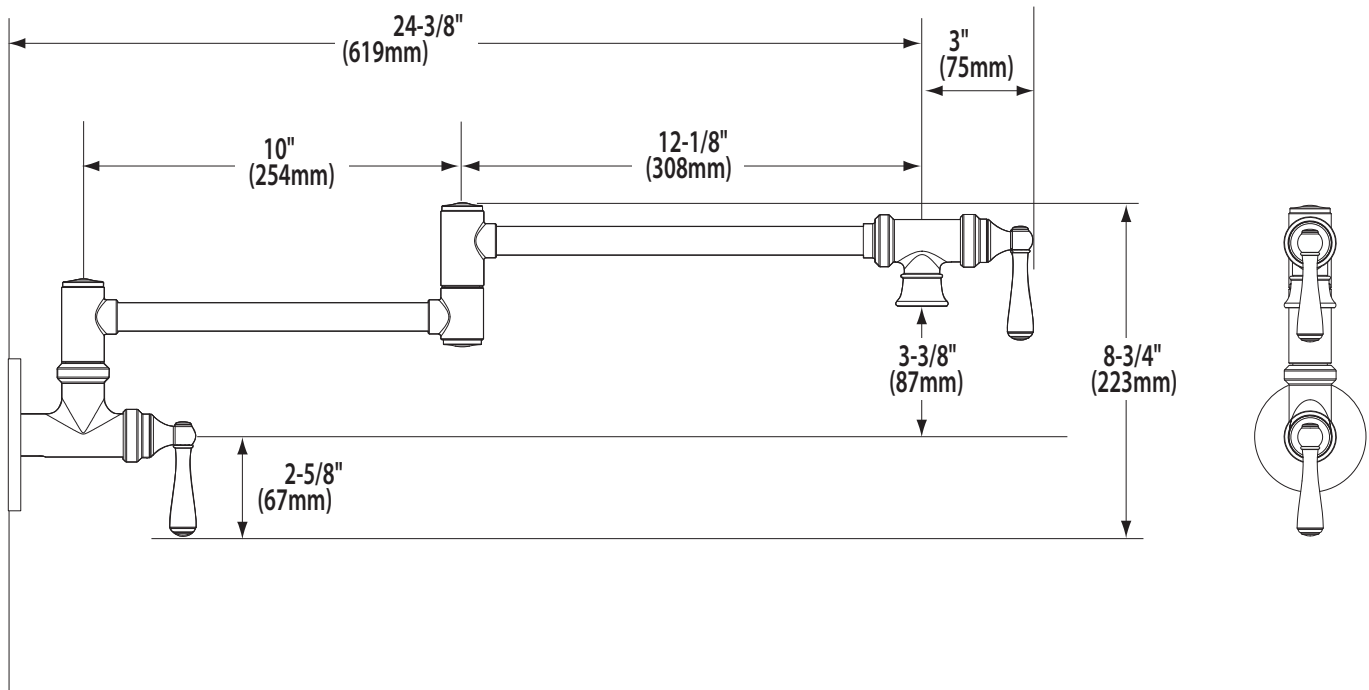
## WARRANTY

- Lifetime limited warranty against leaks, drips and finish defects to the original consumer purchaser
- 5 year warranty if used in commercial installations



**Pot-Filler Faucet**

**Models:** S664 series



## **CRITICAL DIMENSIONS**

(DO NOT SCALE)

**FOR MORE INFORMATION CALL: 1-800-BUY-MOEN**

**www.moen.com**