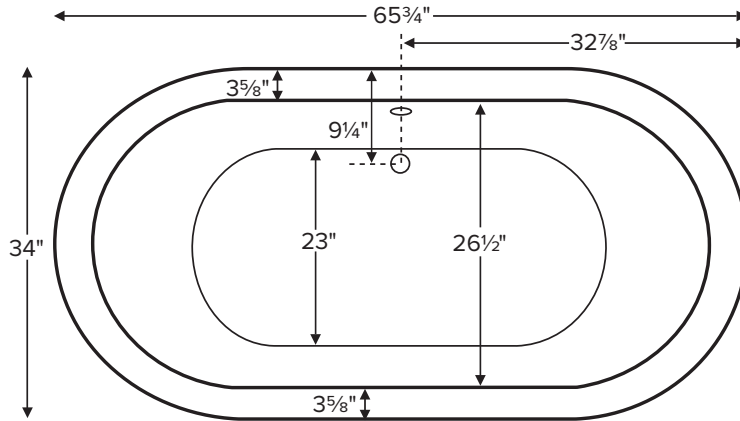


Melinda 10



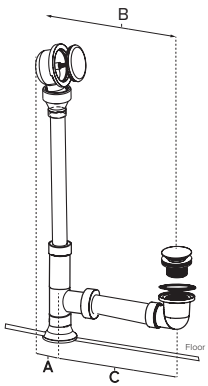
Melinda 10 is a Clawfoot tub.
Shown above with feet powder-coated in white.
(white is available for an upcharge)

MODEL 204	
65.75" x 34" x 24"	
FREESTANDING 80 gal to overflow	
Acrylic CXL®	DoloMatte®
140 lbs / 64 kg	<SOAKER> 158 lbs / 72 kg
Filling this tub to the maximum may require an above average size or dedicated water heater.	

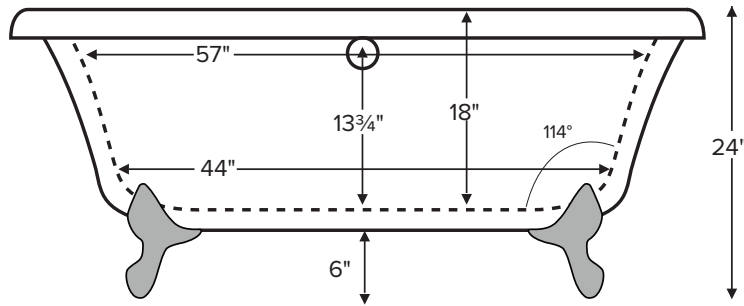


Drain Rough-In Measurements

A	B	C
1 3/4"	9 1/4"	7 1/2"



Requires use of a wall-mounted or freestanding tub filler.



CSA Certified C/US; ANSI Z124.1

See the Installation & Operation Manual for more details.

MTI's Customer Service:
Monday-Friday 8am-6pm EST
800-783-8827 or service@mtibaths.com

Manual for more details.
y-Friday 8am-6pm EST
aths.com

See 1
MTI 3
800- Photo of drain installation

- Before discarding tub packaging, check for accessories that may be packaged inside.
- All product measurements are ±1/2".
- Specifications and configurations are subject to change without notice.
- Measurements herein supersede all others published prior to publication date below.

IMPORTANT ORDERING & INSTALLATION INFORMATION

- Drain kit sold separately. MTI's decorative exposed drain kit is recommended to ensure a perfect fit.
- Faucet valves cannot be installed on this tub model.
- Solid brass ball and claw-design feet are standard in chrome or brushed nickel finish.
- Feet are available powder-coated in white for an upcharge.
- Additional powder-coated colors are also available, for an upcharge, and require an extended lead time. Availability based on the universal RAL color chart, see ralcolor.com. Please provide RAL color code on order
- MTI's decorative exposed drain kit is recommended to ensure a perfect fit.
- Specifications and configurations are subject to change without notice.
- Measurements are ±1/2" and are subject to change without notice.
- Measurements herein supersede all others published prior to publication date shown below.



Melinda 10
MODEL 204
65.75" x 34" x 24"

Hydrotherapy Packages	Package Contents	Acrylic CXL®		DoloMatte®	
		Part #	MSRP	Part #	MSRP
Soaker	Soaking bath - no jets; clawfoot tub.	S204	\$6,010	S204DM	\$6,730

Options <i>Must be ordered at time of purchase</i>
Standard Colors White (CWH) DoloMatte available in matte white only. Biscuit (CBS) Not available for DoloMatte.
Quick Ship reduces lead time (QSPRI) \$430 <i>Please call for availability</i>
Textured Bottom (TXTBTM) Acrylic CXL® only \$105 DoloMatte® exceeds ANSI A137.1/A326.3 and AS HB198 slip tests.

Clawfoot Color Options
<ul style="list-style-type: none"> • Chrome (CLAWC), Brushed Nickel (CLAWBN) no charge • Powder Coated White upcharge (CLAWWH) \$1,160 • Additional Powder Coated Colors upcharge (CLAWSF) \$2,145 Availability based on the universal RAL color chart see ralcolor.com. Please provide RAL color code on order
Drain Kit - Toe Tap Design with Decorative Exposed Piping
<ul style="list-style-type: none"> • Chrome (DKSSCS) \$915 • Brushed Nickel (DKSSBNS) \$1,010

Accessories				
Pillows from \$180				
Teak Bath Mat (TKMAT3018) \$815 <i>Custom sizes also available. Contact MTI for details and pricing.</i>				
Floor-Mounted High-Flow Tub Filler Contemporary Chrome (FILLC) \$1,480 Brushed Nickel (FILLBN) \$1,710				
Faucet Stand SculptureStone® Standard				
<table border="0"> <tr> <td>Small 3-hole capacity 14¼" w x 21¾" h</td> <td>Large 5-hole capacity 22" w x 21¾" h</td> </tr> <tr> <td>Matte (STAND) \$725</td> <td>Matte (STANDL) \$855</td> </tr> </table>	Small 3-hole capacity 14¼" w x 21¾" h	Large 5-hole capacity 22" w x 21¾" h	Matte (STAND) \$725	Matte (STANDL) \$855
Small 3-hole capacity 14¼" w x 21¾" h	Large 5-hole capacity 22" w x 21¾" h			
Matte (STAND) \$725	Matte (STANDL) \$855			
+\$430 gloss finish upcharge (SSGLOSSNK)				