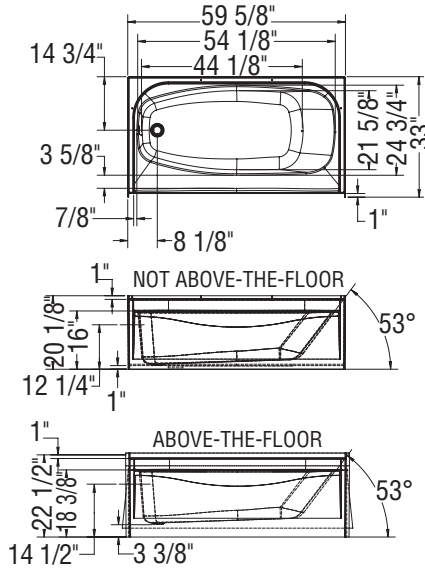
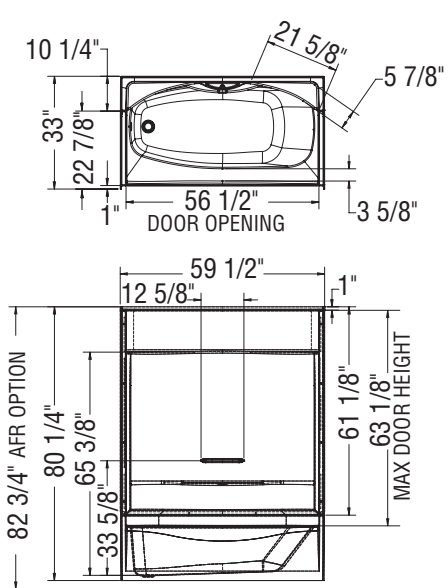
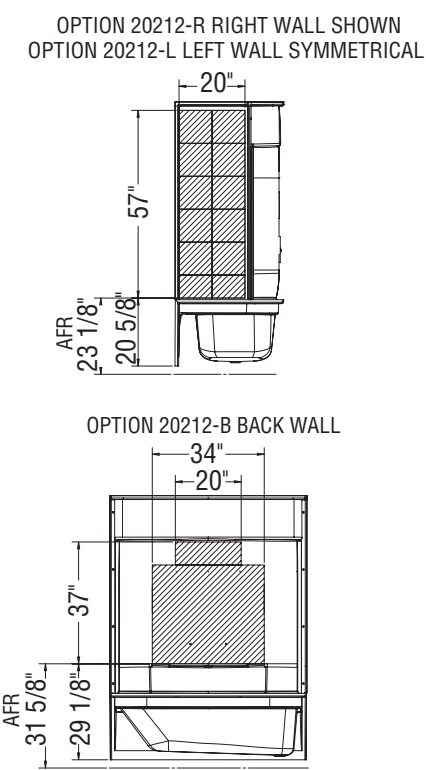


STANDARD

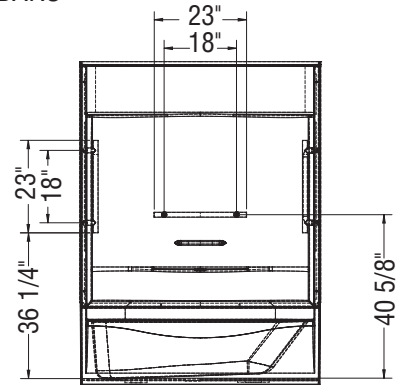


REINFORCEMENT BACKING

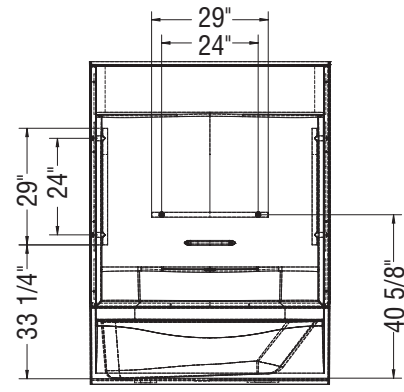


GRAB BARS

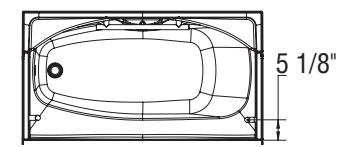
OPTION 20203



OPTION 20204



OPTION 20203-20204



All dimensions are approximate. Structure measurements must be verified against the unit to ensure proper fit.