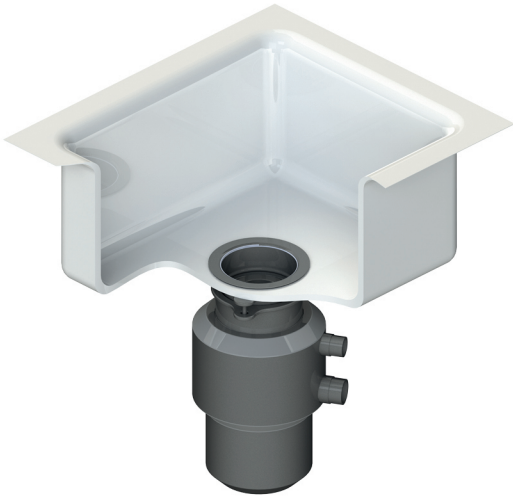


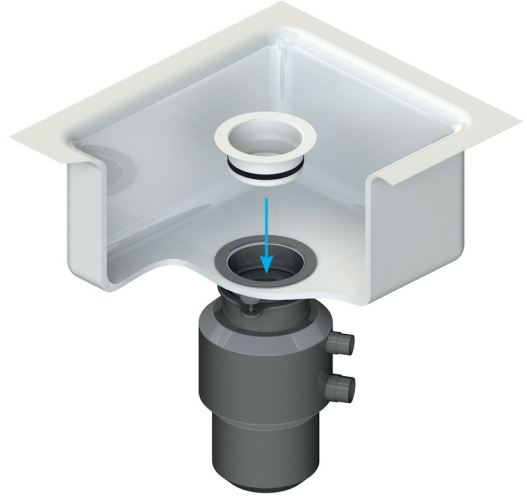
# How To Install Our Disposer Flange Kit Models:

3.5DF-GCCB/3.5DF-GCG/3.5DF-GCMB/3.5DF-GCTI/3.5DF-GCTR/3.5DF-GCW

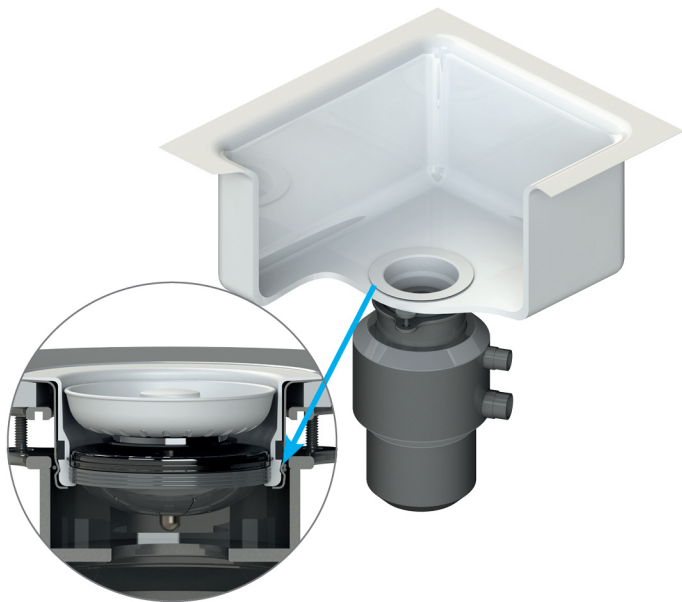
1. Install the waste disposer according to manufacturer's instructions



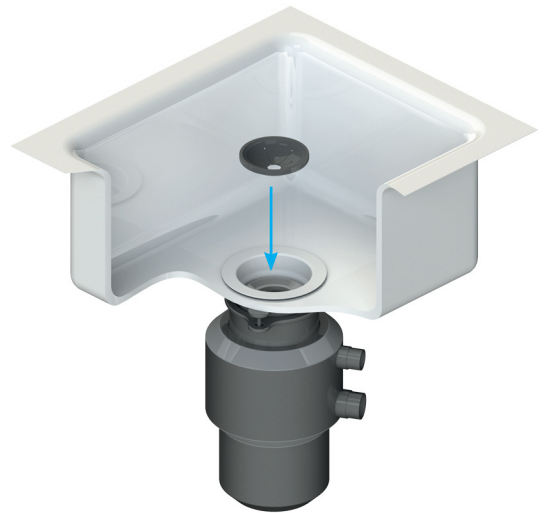
- 2a. Insert the plastic flange of the L.B. Plast kit into the steel flange of the disposer



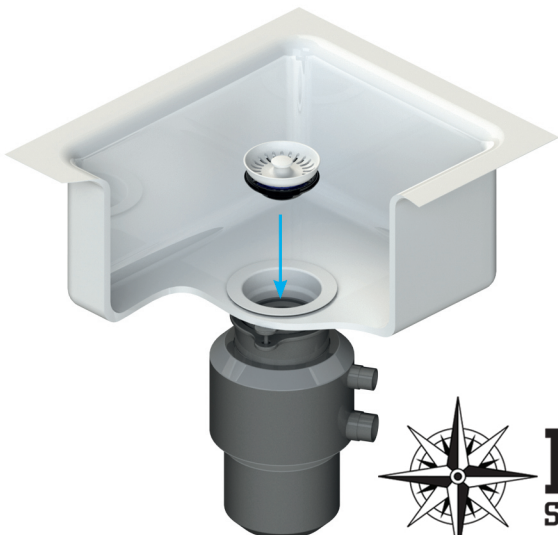
- 2b. The plastic flange will perfectly fit into the steel flange



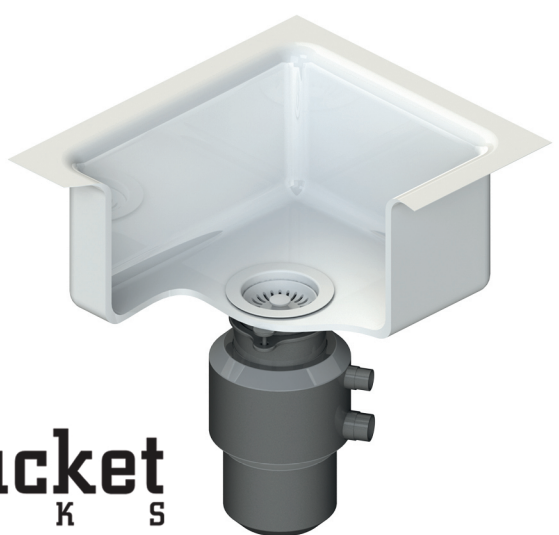
3. Insert the baffle



4. Place the basket plug



5. The L.B. Plast kit is ready to use



**Nantucket**  
S I N K S