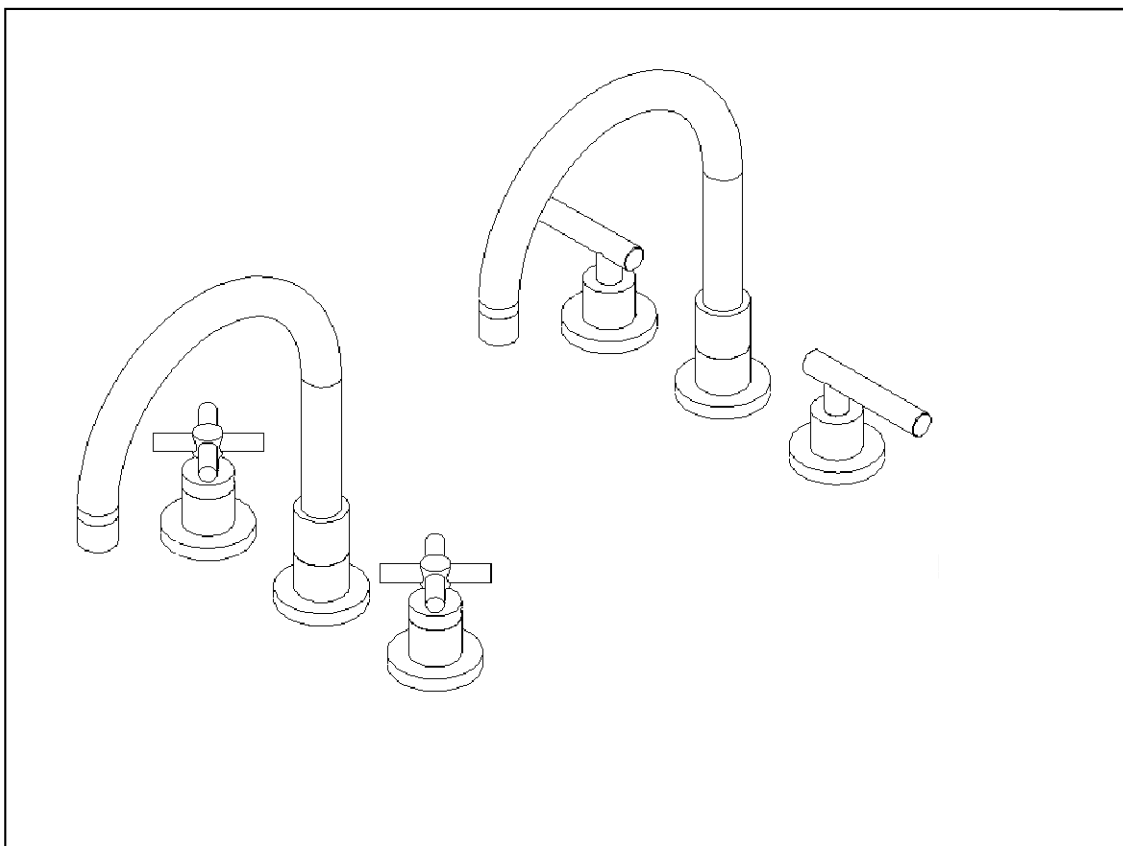


WIDE SPREAD KITCHEN SET
INSTALLATION INSTRUCTIONS
MODEL NO. 9901 & 9901L



**Congratulations on the purchase
of your Newport Brass product,
an excellent choice, that will give you
years of quality service and enhance
the look and style of your home.**

Recommended Installation by a Professional Plumbing Contractor

Note: The use of petroleum base plumbers putty on our products will nullify the warranty. We recommend the use of clear silicone sealing materials. Recommended deck hole Ø1.25.

1. Thread Spout BUSHING (4) into spout BASE (1). Thread SHANK (5) into BUSHING (4). Insert the spout SHANK (5) through spout base RING (2) with WASHER (3) and center hole of mounting surface. Secure SPOUT (1) and spout base RING (2) into place with spout WASHER (6) and NUT (7). See Figure 1
2. Place NUT (8) and WASHER (9) on valve BODY (10). Insert BODY (10), (blue cold and red hot), through hole in the mounting surface. Adjust and secure with additional WASHER (9) and NUT (8) so that the top of valve is 2" above top of mounting surface. Before tightening down flange NUT (8), check HANDLE (19, 19a) alignment by placing onto Valve (10). Any adjustments for rotational alignment must be made to the valve BODY (10), not to the cartridge. See Figure 1.
3. Insert rubber WASHER (11) into TEE (12) and attach to spout SHANK (5). See Figure 2.
4. Connect large end of flexible HOSE (16) to side outlet of each valve BODY (10). Attach other end of HOSE (16) to either side of the TEE (12). (Hand-tighten and secure each connection with a wrench ¼ turn.) See Figure 3.
5. Connect hot/cold water supply to appropriate 1/2" NPSM valve BODY (10), utilizing one of the three following types of risers. Supply risers not included. See Figure 3.
 - a. 1/2" IPS flexible riser: discard rubber nosecone WASHER (13), friction WASHER (14) and coupling NUT (15).
 - b. 3/8" or 1/2" OD bullnose riser: utilize friction WASHER (14) and coupling NUT (15).
 - c. 1/2" copper riser: utilize rubber nosecone WASHER (13), friction WASHER (14) and coupling NUT (15).
6. Thread ESCUTCHEON (17) and BONNET (18) onto valve. Any adjustments for rotational alignment must be made to the valve body - not to the cartridge. (Note: Allow minimum spacing between HANDLE (19, 19a) and BONNET (18) to prevent damage to the surface finish.) Attach HANDLE (19, 19a) and secure into place with SETSCREW (20). See Figure 4.
7. Remove AERATOR (21) from SPOUT (1), turn on water supply, and flush both valves until water is clear. Check for leaks and make any final adjustments required. Re-attach AERATOR (21) to the SPOUT (1).

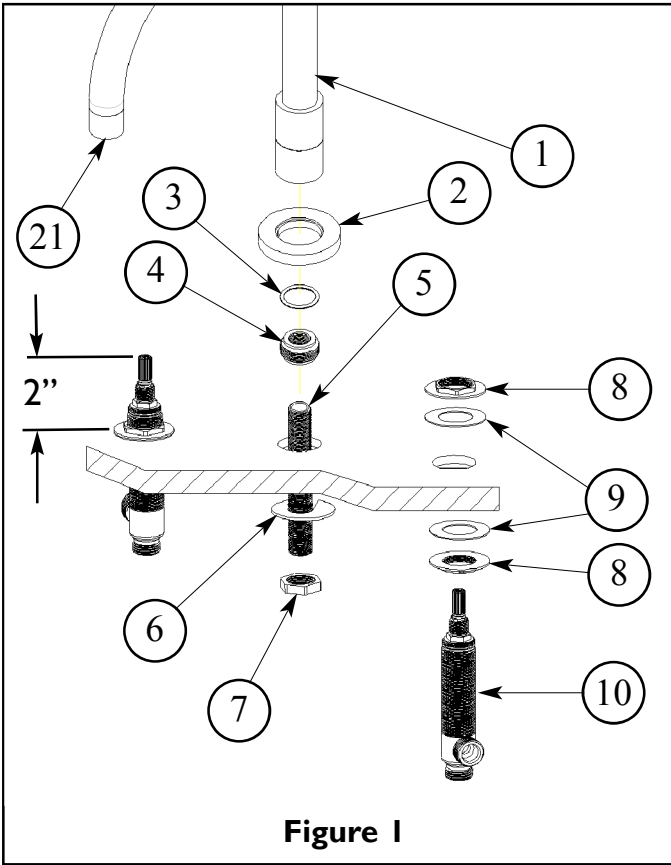


Figure 1

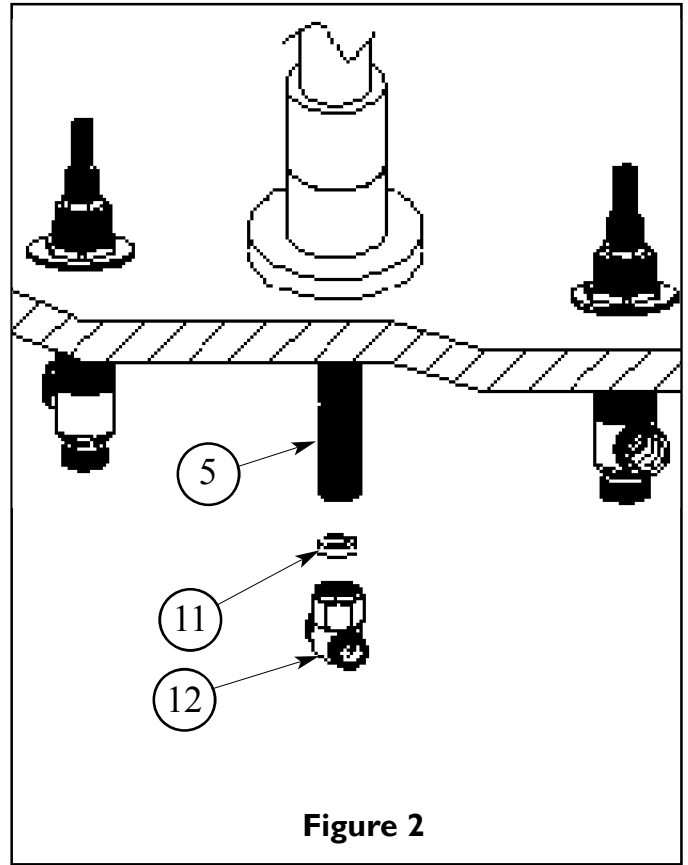


Figure 2

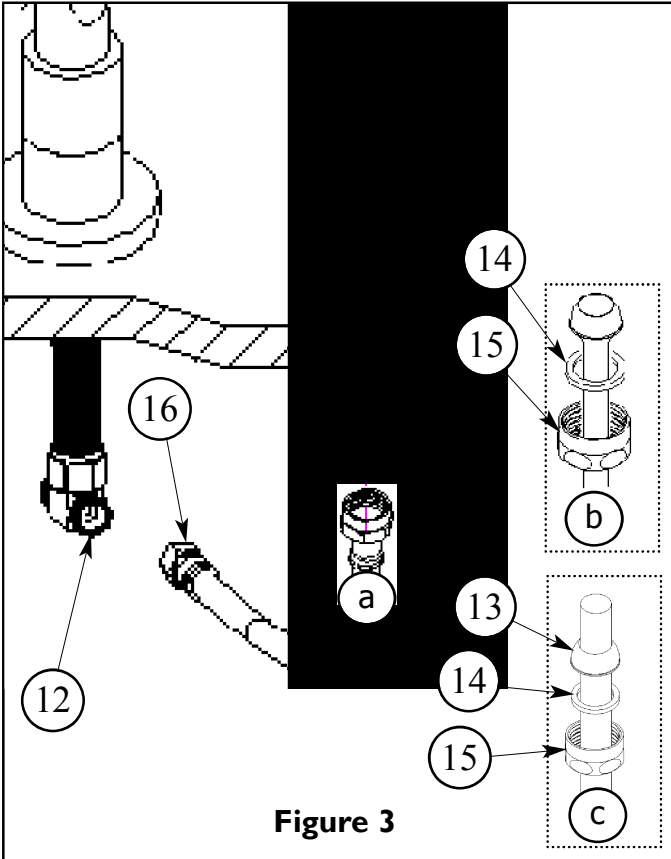


Figure 3

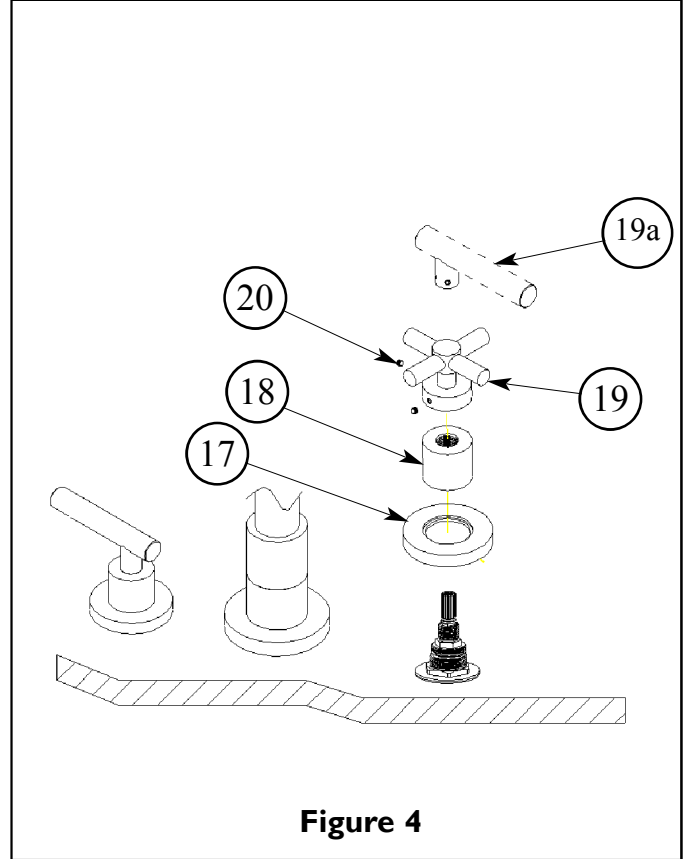


Figure 4