

Toilet Tissue Holder
41-27

Features

- Solid brass construction
- Single-post, open roller design
- Complements Joffrey product series
- Optional left or right hand mounting orientation

Codes / Standards Compliance

Meets or exceeds the following at date of manufacture:

- All applicable US Federal and State material regulations



Colors / Finishes

- 10B: Oil Rubbed Bronze
- 15: Polished Nickel
- 15S: Satin Nickel - PVD
- 26: Polished Chrome
- Other: Refer to the Newport Brass catalog for additional color/finish options.

Specified Model

Model	Description	Colors Finishes
41-27	Open Toilet Tissue Holder	<input type="checkbox"/> 10B <input type="checkbox"/> 15 <input type="checkbox"/> 15S <input type="checkbox"/> 26 <input type="checkbox"/> Other

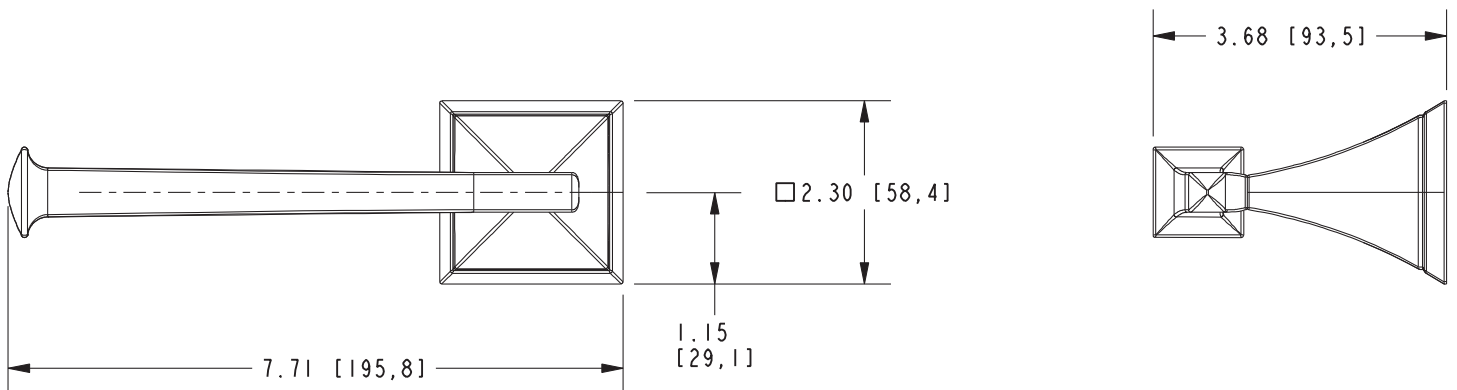
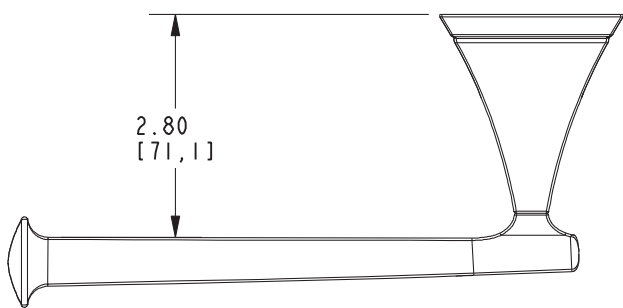
Product Specification Add "Color / Finish" suffix to Model number, below.

The Toilet Tissue Holder shall be made of solid brass construction and incorporate a single-post, open roller design. Toilet Tissue Holder shall complement Newport Brass Joffrey product series. Toilet Tissue Holder may be installed in either left or right hand orientation. Toilet Tissue Holder shall be Newport Brass Model 41-27/_____.

41-27

PRODUCT DIMENSIONS *(Units are in inches)*

Product Dimensions are provided for reference only. For specific product installation guidelines, please reference the Installation Instructions of the product being installed.



Joffrey Toilet Tissue Holder 41-27