



Specification Sheets for The Simplicity line of bath vanities & Drawer Banks by Strasser Woodenworks.

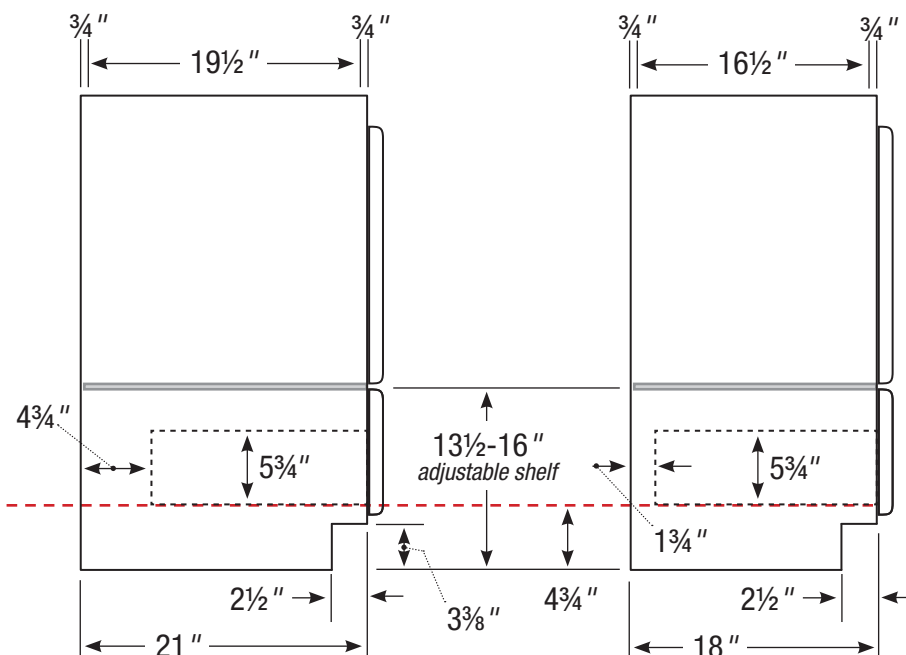
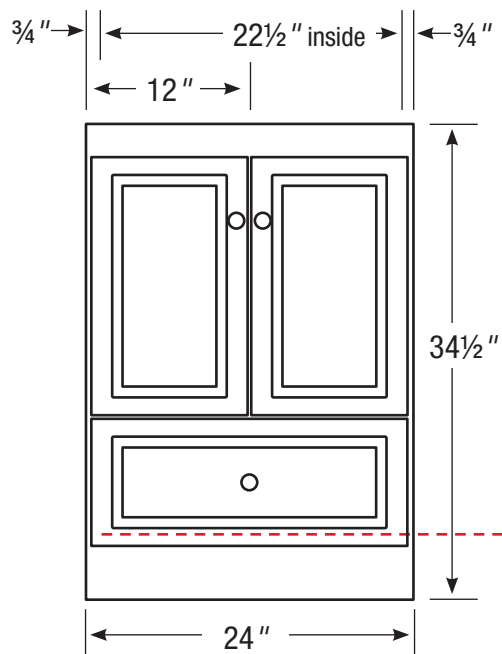
SPECIFICATION VARIANCES

Dimensions on finished vanities may vary slightly from those shown on these specification sheets due to variability in construction materials.

Our products are engineered to maintain close dimensional tolerances but variability in manufacturing materials can change dimensions slightly (normally within $\pm 1/8$ " but occasionally up to $\pm 3/16$ ").

In most applications these slight variations will have no impact upon installation, appearance, or function. However, when planning and finishing a space for a built in vanity, **do not frame or finish the space before measuring the actual cabinet!**

We can not be responsible for any expenses incurred as a result of the end user or contractor not following this guideline.



21" or 18" front-to-back option

24" Vanity

24" wide
34 1/2" tall
21" or 18" front-to-back

All dimensions are nominal and may vary slightly.