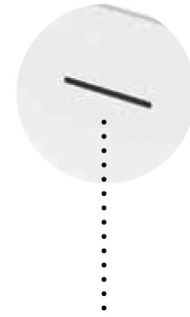
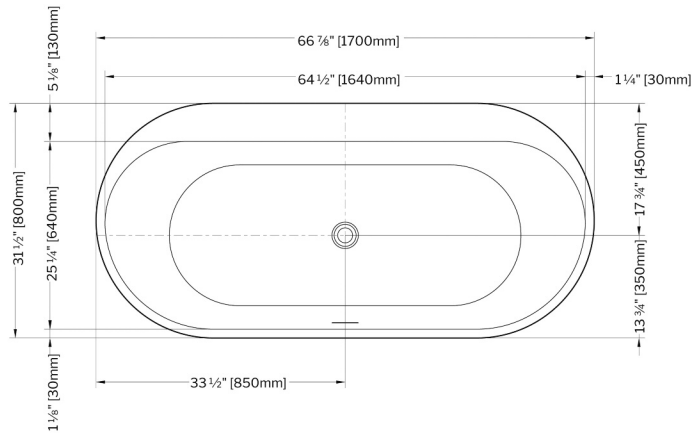
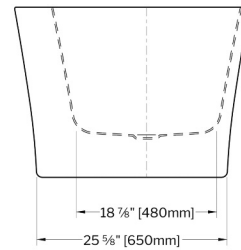
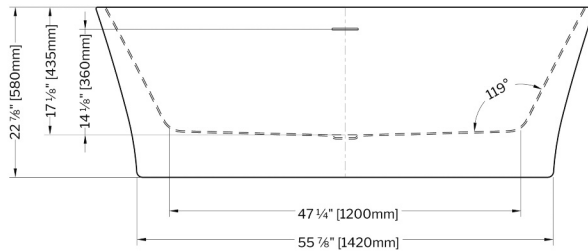


LAGUNA Grande



CLEAN SLOTTED
OVERFLOW



Tolerance on dimensions: $\pm 1/4"$ (6 mm)