

## Installation Manual

For Tutorials and Troubleshooting visit [www.thermasol.com/solutions](http://www.thermasol.com/solutions)

SLSRRD-XX, SLSSQ-XX

**THERMASOL**<sup>®</sup>

OVER 60 YEARS OF STEAM SHOWER INNOVATION

Serenity Light, Sound, Rain Head

# 1 Important Information Before You Install

PLEASE REVIEW WARNINGS BELOW AND LEAVE THIS MANUAL WITH HOMEOWNER

DO NOT USE THIS PRODUCT UNLESS YOU HAVE CONSULTED WITH YOUR DOCTOR AND RECEIVED WRITTEN PERMISSION TO DO SO. USE OF THIS PRODUCT MAY BE HAZARDOUS TO YOUR HEALTH.

PLEASE CONSULT YOUR PHYSICIAN BEFORE USING. IF YOU ARE PREGNANT, ELDERLY, HAVE HIGH BLOOD PRESSURE, DIABETES, SUFFERING FROM HEART DISEASE, ARE INTOXICATED, OR NOT IN GOOD HEALTH, DO NOT USE THIS STEAM BATH.

STEAM IS HOT! DO NOT TOUCH OR GO NEAR THE STEAMHEAD FROM THE TIME THE UNIT IS "ON," UP TO ONE HOUR AFTER IT HAS SHUT OFF. SEVERE BURNS WILL OCCUR IF YOU COME IN CONTACT WITH THE STEAMHEAD OR STEAM EMITTING FROM THE STEAMHEAD.

NEVER ATTEMPT TO FILL AROMA RESERVOIR ON THE STEAMHEAD WHEN UNIT IS IN THE "ON" POSITION. SEVERE BURNS WILL OCCUR.

DO NOT USE THERMASOL AROMATHERAPY OILS, SKIN CARE PRODUCTS OR ANY PRODUCT ASSOCIATED WITH YOUR THERMASOL UNIT WITHOUT CONSULTING WITH YOUR ALLERGIST OR DOCTOR BEFORE USE. THESE PRODUCTS MAY BE HAZARDOUS TO YOUR HEALTH.

DO NOT USE STEAM ROOM WHILE UNDER THE INFLUENCE OF ALCOHOL OR DRUGS, AS THIS CAN BE HAZARDOUS TO YOUR HEALTH.

YOUR SHOWER MAY BE A SLIP-AND-FALL HAZARD. CHECK WITH YOUR CONTRACTOR OR FLOORING MANUFACTURER REGARDING THE SAFE USE OF YOUR FLOORING IN A STEAM APPLICATION. SLIPPING AND FALLING INTO THE STEAMHEAD ITSELF OR INTO THE STREAM OF STEAM EMITTING FROM THE STEAMHEAD WILL CAUSE SERIOUS BURNS OR PHYSICAL INJURY.

IF YOU ARE FEELING UNCOMFORTABLE, DIZZY, FAINT, OR STARTING TO FALL ASLEEP, IMMEDIATELY EXIT THE STEAM ROOM.

DO NOT USE STEAM ROOM IF YOU ARE UNDER THE AGE OF 16 UNLESS SUPERVISED BY AN ADULT.

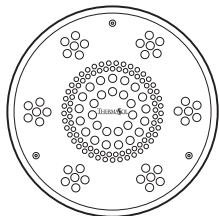
THERMASOL STEAM BATH GENERATORS ARE NOT DESIGNED TO BE USED FOR SPACE HEATING PURPOSES.

THERMASOL STEAM BATH GENERATORS ARE FOR INDOOR USE ONLY. THEY SHOULD NEVER BE LOCATED OUTSIDE THE HOME.

ALL PRODUCTS MUST BE INSTALLED IN ACCORDANCE WITH INSTALLATION INSTRUCTIONS PROVIDED. FAILURE TO DO SO MAY INVALIDATE WARRANTY AT MANUFACTURER'S DISCRETION. ©2016 THERMASOL.

# 2 Tools and Materials

Parts Enclosed:



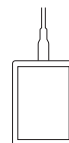
**Serenity Light, Sound,  
Rain Head fixture and hardware**  
Item SLSRX-XX



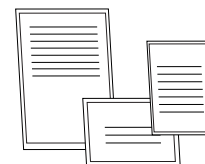
**Silicone**



**25-foot Yellow M12 Cable**  
Item 03-7149-25



**Bluetooth Module**



**Installation instructions**

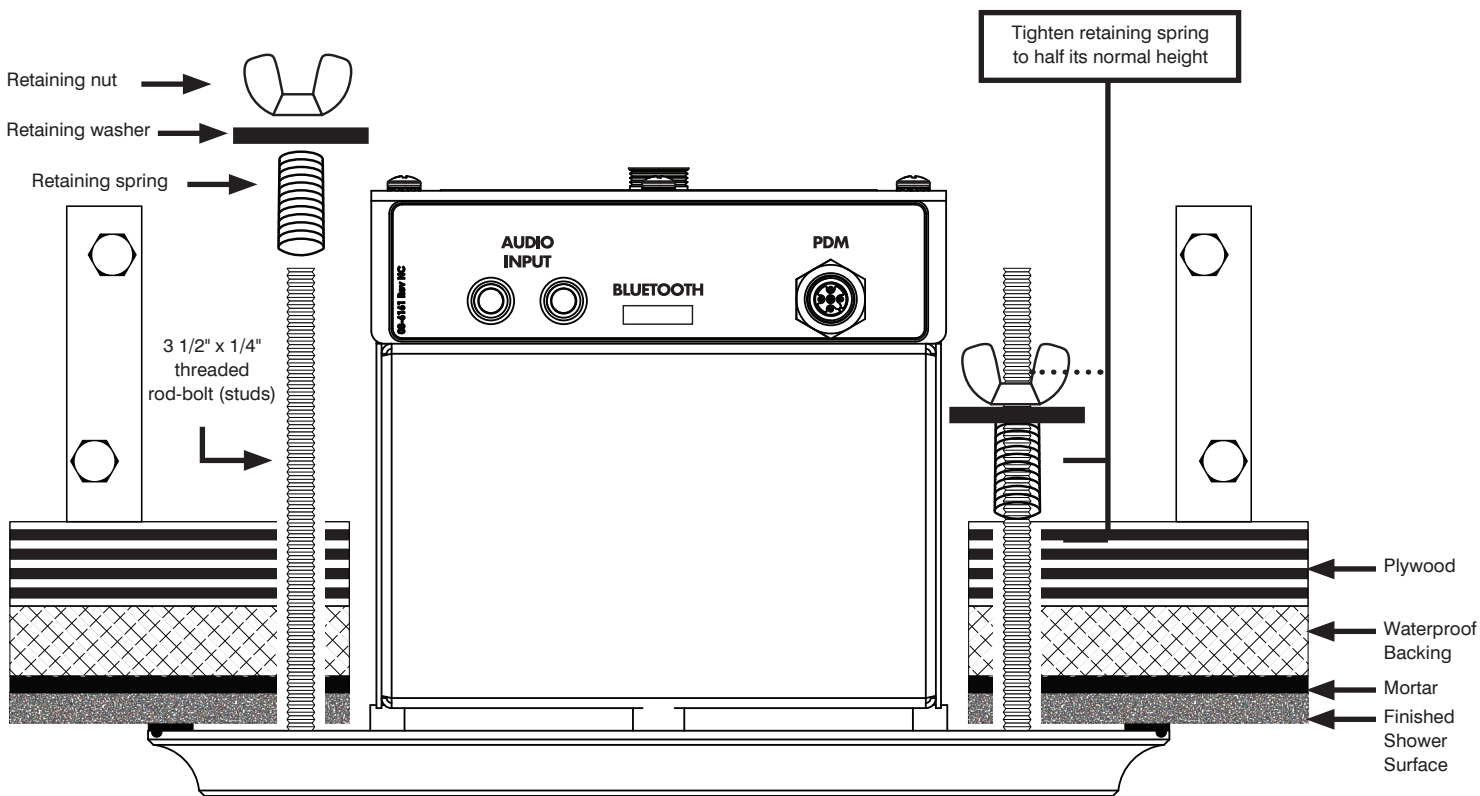
**Compatible controls:**

- ThermaTouch 7" and 10"
- SignaTouch Control
- Signature Control

**Materials needed:**

- PDM (Item 10-8147)
- Compatible controller
- Drill
- 7/16", 1/2" and 1-1/2" Drill Bits

- Tile Cutter
- Ply Wood Backing Board
- 36" long 3/8" Compression Flexible Water Line
- Separate water volume control diverter with shut off valve



(Fig. 1) Installation Profile View

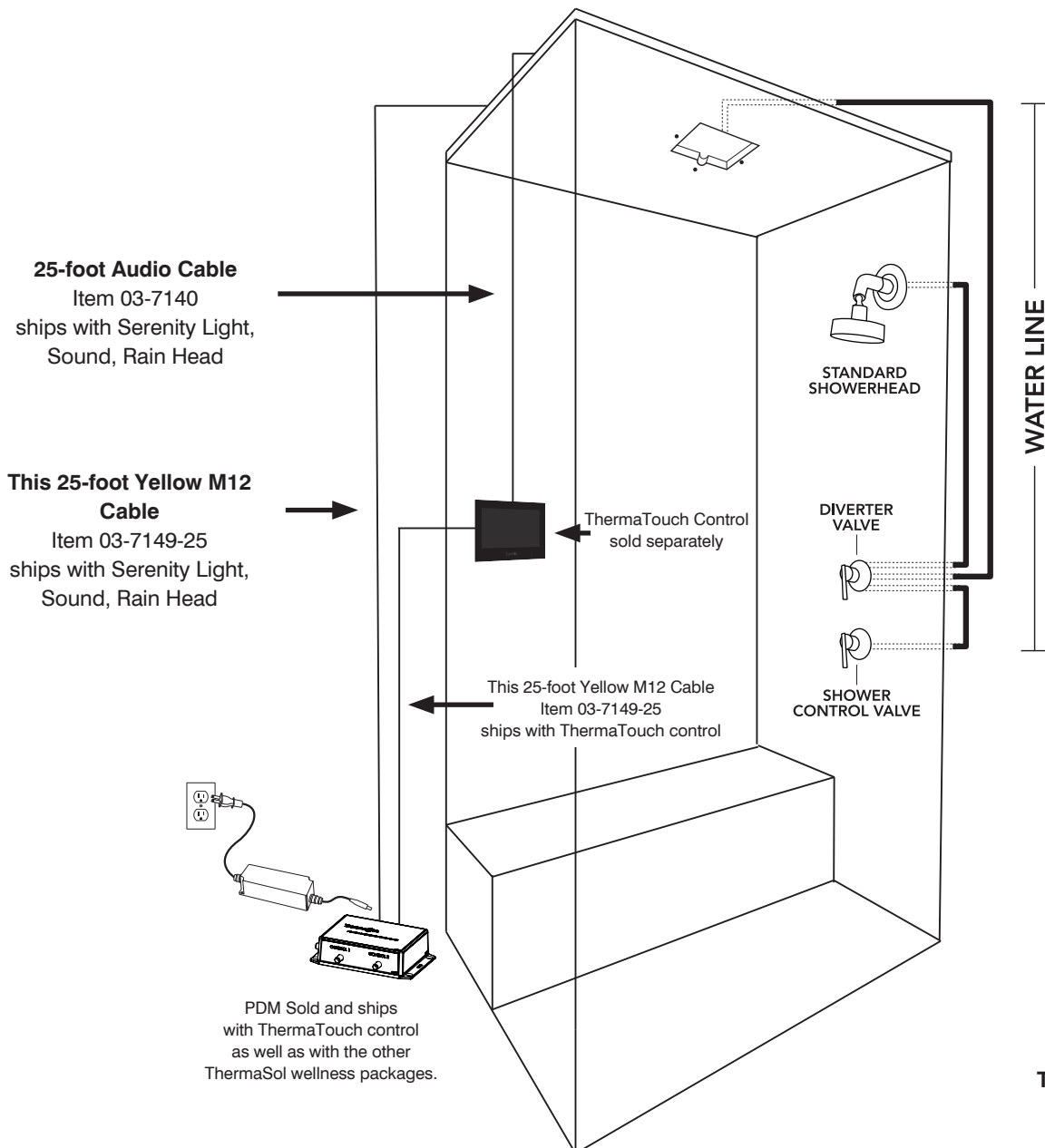
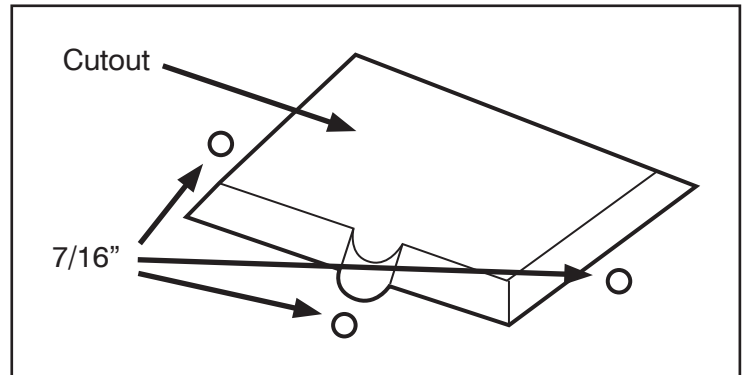
# 3 Placing and Cutting Template

After completing the shower construction and running the necessary cables, water supplies and etc. using template included in these instructions (page 8) proceed to:

- After choosing the desired location, use the printed template to drill the three 7/16" holes
- Then proceed cutting the cutout

Note: Template must be printed out at actual size.

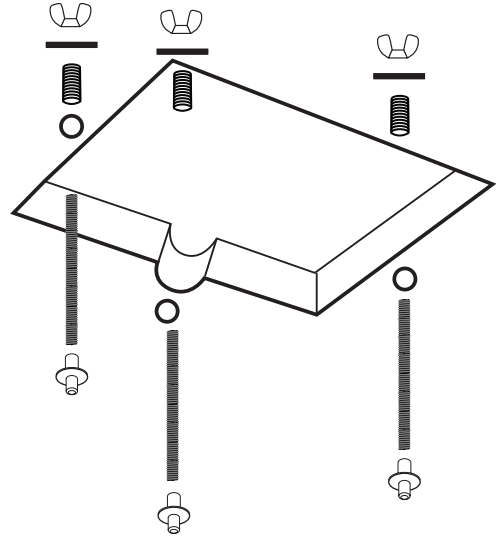
Install suitable wood support between joists.



## 4 Mounting Hardware

- Connect the 3 1/2" x 1/4" all-thread rod bolts (studs) together with supplied couplings.
- Insert the 3 1/2" x 1/4" studs from the shower side into the 7/16" pre-drilled holes. Hold it in place while from the top side of the cut out insert supplied spring, washer and secure it with provided wing nut.
- Tighten retaining spring to half its normal height (shown on page 3)

Repeat the above steps for all three studs

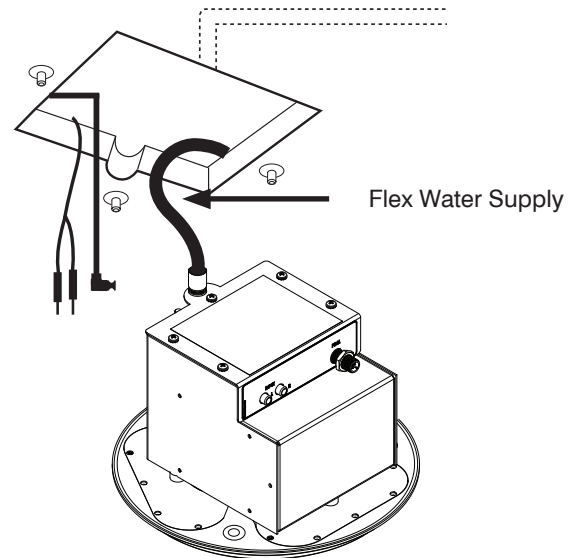


## 5 Connecting Water Supply

**NOTE:** Make sure to flush out any debris from the pipe before connecting the fixture!

You will need a 36" flex water supply that connects to your water pipe that you plumbed for the Rain Head. The connection to the Rain Head needs to be 3/8" compression. Please connect the 36" flex water supply from the water source to the Rain Head. Do NOT over tighten.

Slowly open the water and check for leaks before proceeding.

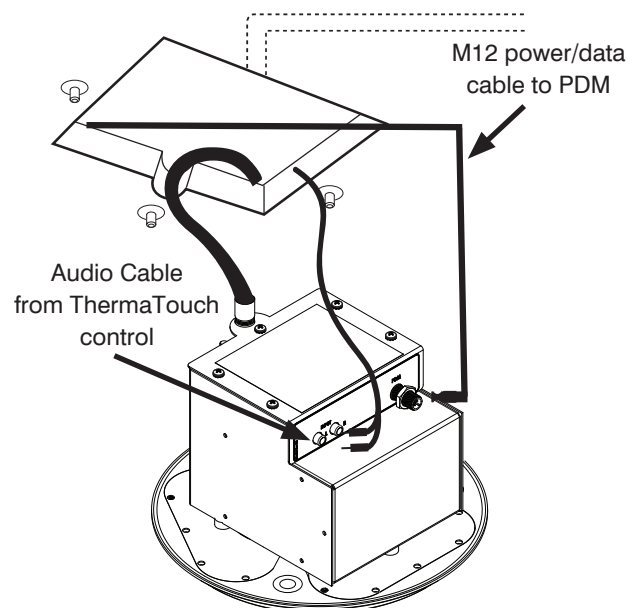


## 6 Connecting Cables

Connect the Audio cable that is connected to the ThermaTouch control.

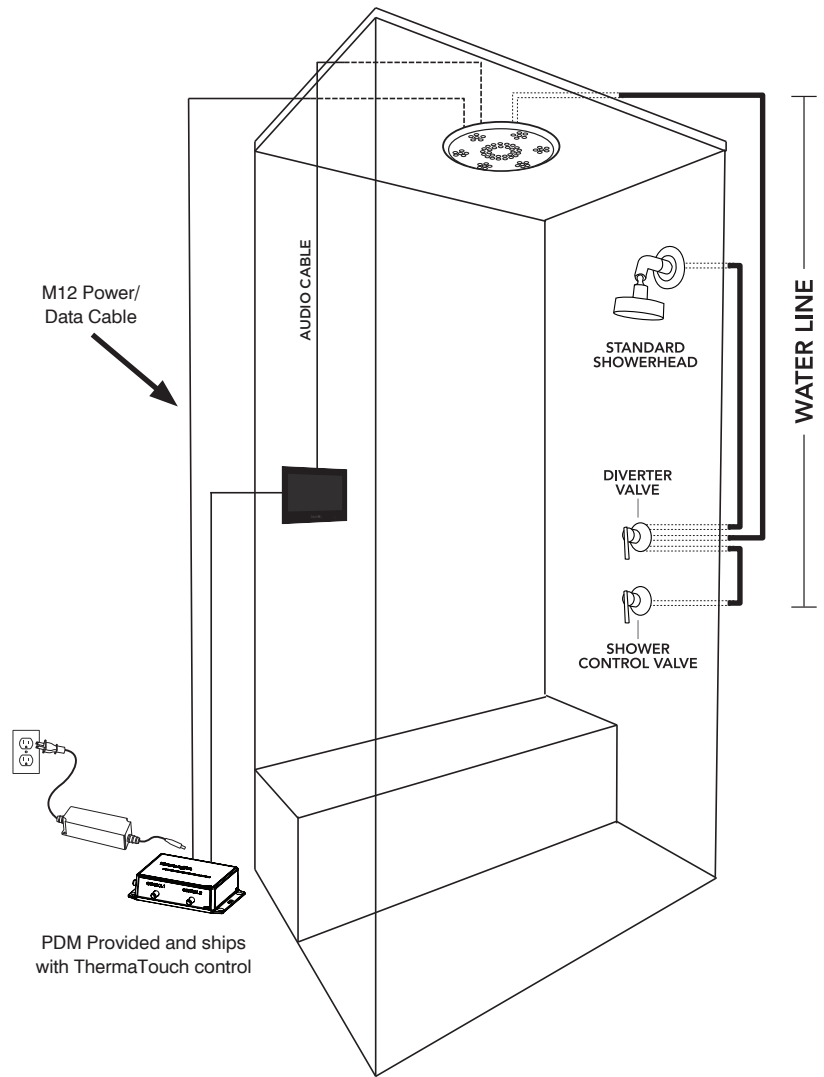
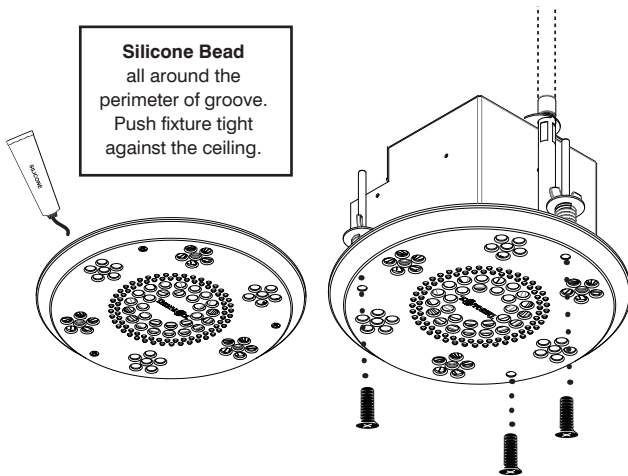
- Red to (R), White to (L).
- Next, connect the M12 power/data cable that runs or will run to the Power Distribution Module (PDM).

**NOTE:** Make sure that the "L" shaped end of M12 cable is connected to the Rain Head



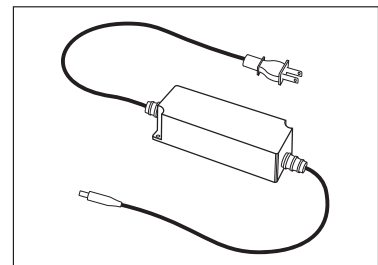
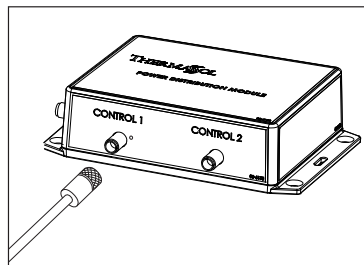
# 7 Securing Serenity Rain Head

- Carefully conceal in attic space any extra lengths of the cables or the water supply above the shower area. Align the Rain Head fixture to the three couplings. Make sure that the Rain Head will fit perfectly and flush with the ceiling. **IF** needed please adjust the studs and couplings to assure perfect fit.
- After you confirmed that the three couplings will perfectly align and Rain Head will be flush with the finished ceiling material apply silicone around center groove on back of the fixture. Push fixture tight against ceiling.
- Use the three provided screws and secure them into the fixture which will connect with the couplings. Tighten them carefully so you don't cross thread them or you don't damage the fixture.
- Allow silicone to dry for 24 hours.

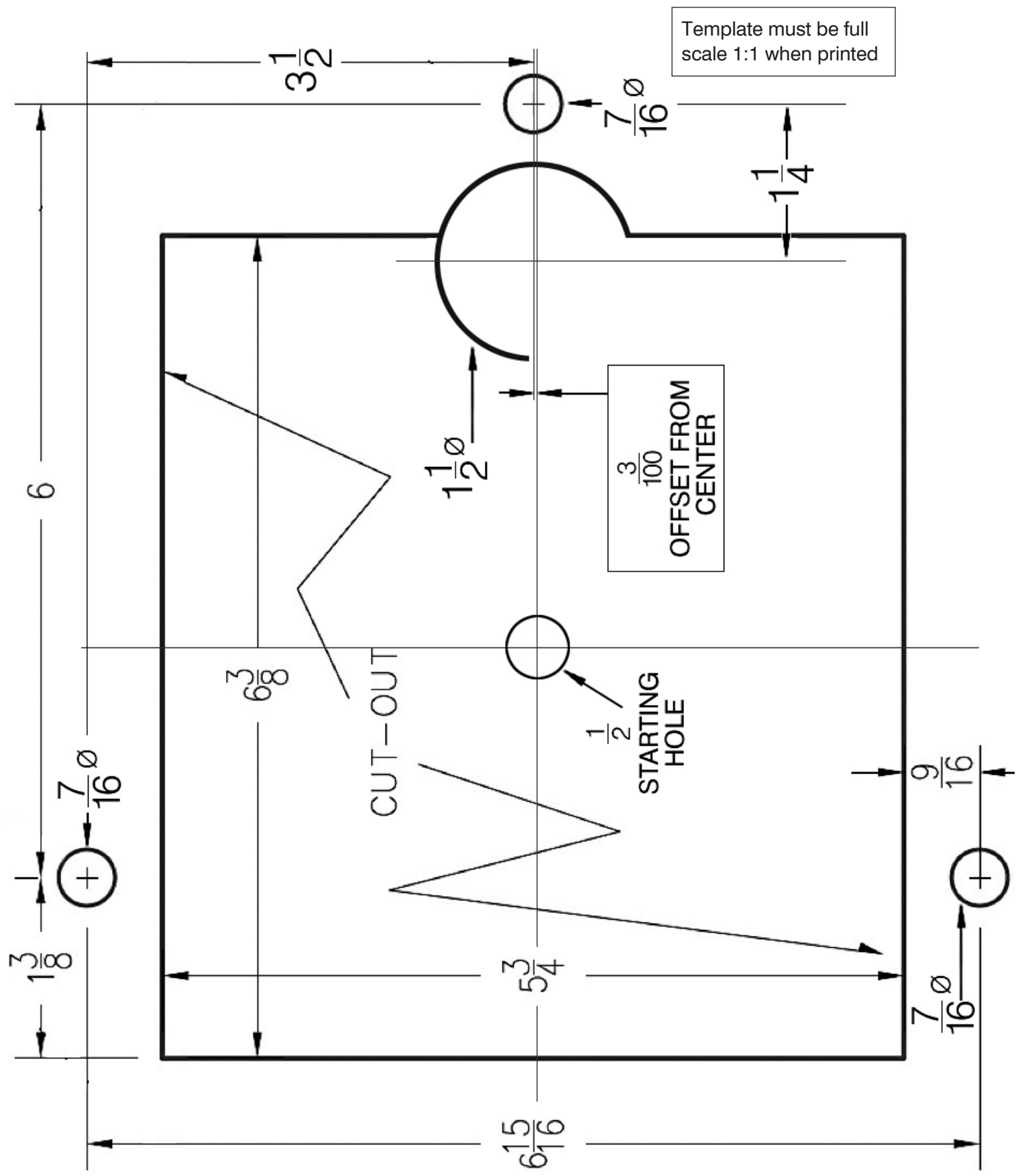


# 8 Connecting to Power Distribution Module (PDM)

- Make sure that the M12 power/data cable is connected from the Rain Head to PDM
- PDM must be plugged in to standard 110V electrical outlet
- If your control is plugged in and powered ON you can test the lights and etc.



Template must be full scale 1:1 when printed



# THERMASOL®

*Superior Steamshower Systems*



---

1958 STEAM WAY ROUND ROCK, TX 78665  
PHONE: 800.776.0711 | FAX: 800.556.5257 | WWW.THERMASOL.COM