



**T&S BRASS AND BRONZE WORKS, INC.**  
 2 Saddleback Cove / P.O. Box 1088  
 Travelers Rest, SC 29690

Model No.  
**B-0592**

Item No.

Travelers Rest, SC: 800-476-4103 • Simi Valley, CA: 800-423-0150 • Fax: 864-834-3518 • www.tsbrass.com

This Space for Architect/Engineer Approval

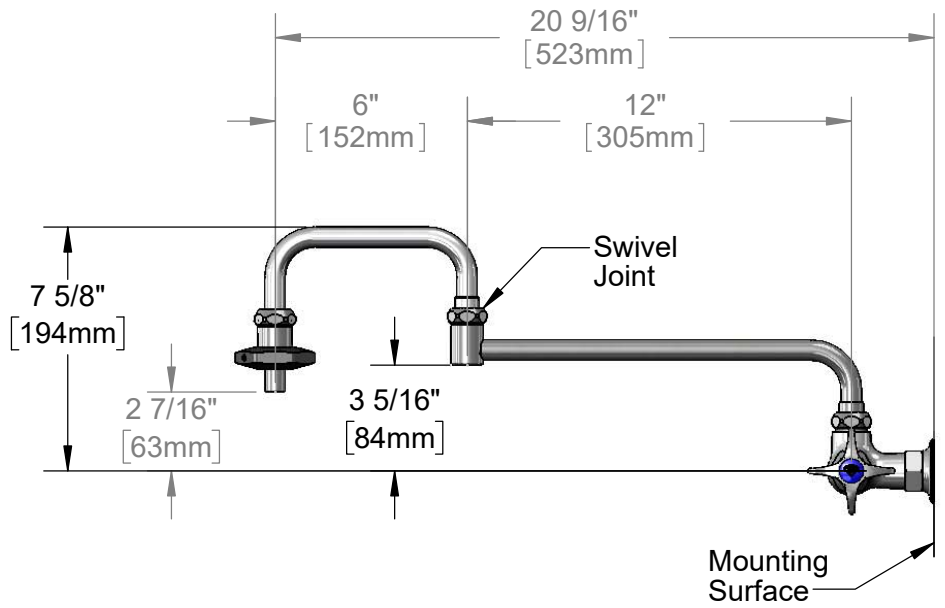
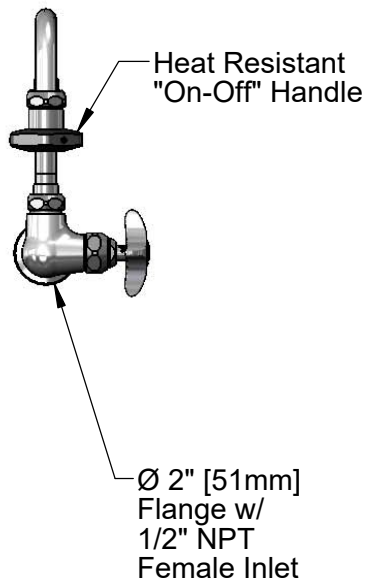
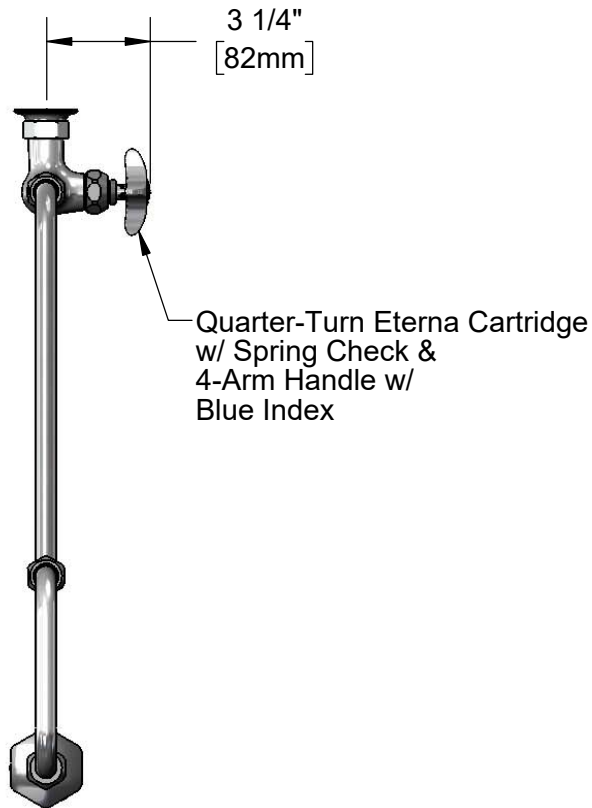
Job Name \_\_\_\_\_ Date \_\_\_\_\_

Model Specified \_\_\_\_\_ Quantity \_\_\_\_\_

Customer/Wholesaler \_\_\_\_\_

Contractor \_\_\_\_\_

Architect/Engineer \_\_\_\_\_



Product Specifications:  
 Pot Filler Wall Mount Faucet, Eterna Cartridge, 4-Arm Handle, 18" Double Joint Swing Nozzle, Heat Resistant Handle & 1/2" NPT Female Inlet

Product Compliance:  
 ASME A112.18.1 / CSA B125.1  
 NSF 61 - Section 9  
 NSF 372 (Low Lead Content)

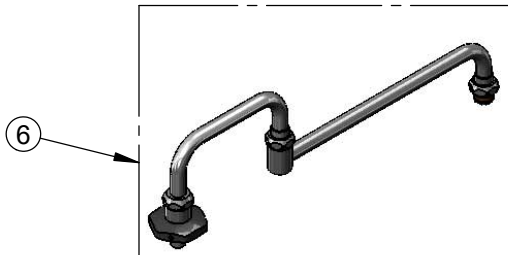


**T&S BRASS AND BRONZE WORKS, INC.**  
 2 Saddleback Cove / P.O. Box 1088  
 Travelers Rest, SC 29690

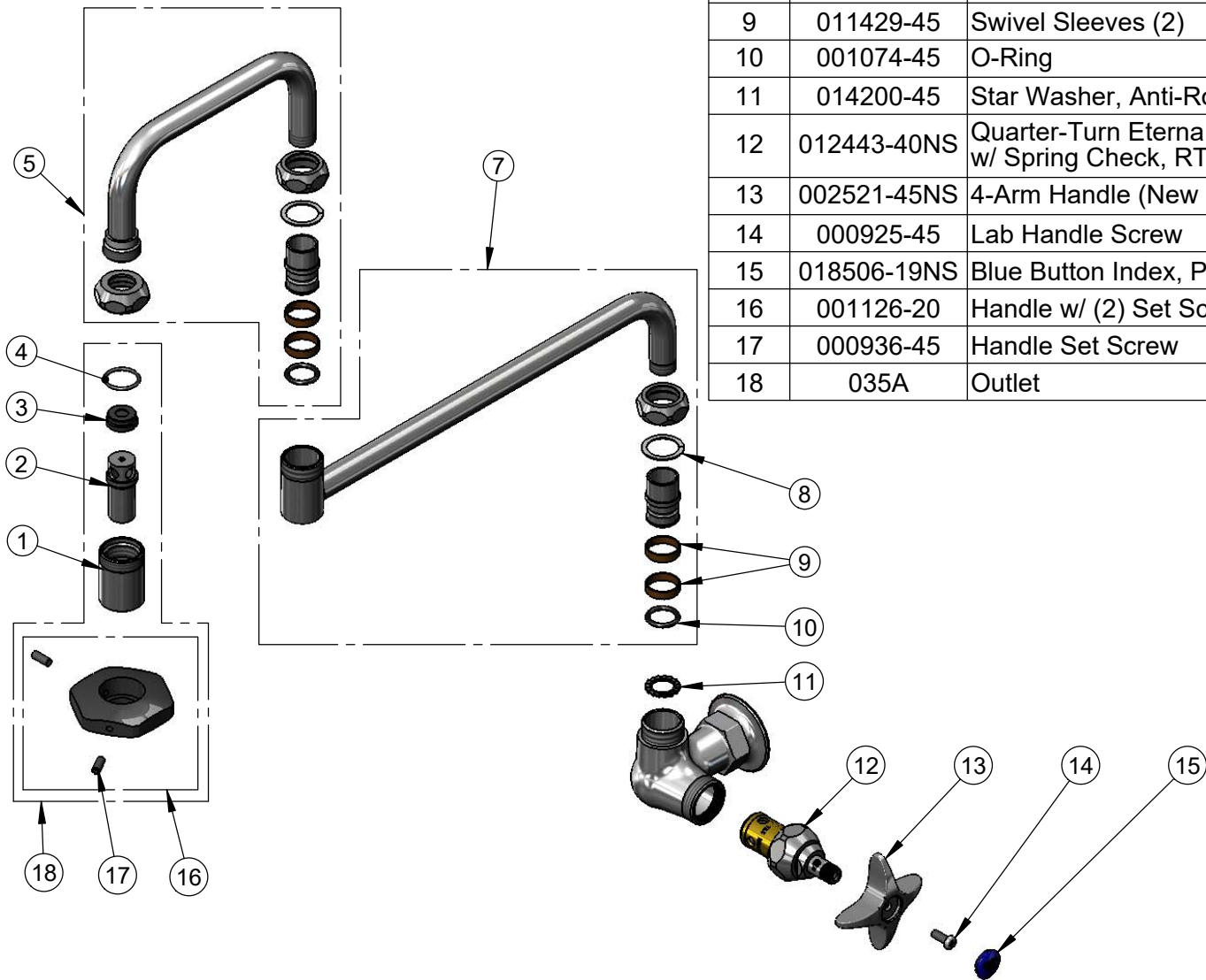
Model No.  
**B-0592**

Item No.

Travelers Rest, SC: 800-476-4103 • Simi Valley, CA: 800-423-0150 • Fax: 864-834-3518 • www.tsbrass.com



Additional View for Bill of Material Clarification w/o Faucet



ITEM NO.	SALES NO.	DESCRIPTION
1	000587-25	Spout Body
2	001498-25	Spout
3	001089-45	Seal
4	003426-45	O-Ring
5	002870-40	6" Front Section
6	002848-40	18" Double Joint Nozzle
7	002871-40	12" Back Section
8	009538-45	Swivel Washer
9	011429-45	Swivel Sleeves (2)
10	001074-45	O-Ring
11	014200-45	Star Washer, Anti-Rotation
12	012443-40NS	Quarter-Turn Eterna Cartridge w/ Spring Check, RTC
13	002521-45NS	4-Arm Handle (New Style)
14	000925-45	Lab Handle Screw
15	018506-19NS	Blue Button Index, Press-in
16	001126-20	Handle w/ (2) Set Screws
17	000936-45	Handle Set Screw
18	035A	Outlet

Product Specifications:  
 Pot Filler Wall Mount Faucet, Eterna Cartridge, 4-Arm Handle, 18" Double Joint Swing Nozzle, Heat Resistant Handle & 1/2" NPT Female Inlet

Product Compliance:  
 ASME A112.18.1 / CSA B125.1  
 NSF 61 - Section 9  
 NSF 372 (Low Lead Content)