



T&S BRASS AND BRONZE WORKS, INC.

2 Saddleback Cove / P.O. Box 1088
Travelers Rest, SC 29690

Model No.

B-1152

Item No.

Travelers Rest, SC: 800-476-4103 • Simi Valley, CA: 800-423-0150 • Fax: 864-834-3518 • www.tsbrass.com

This Space for Architect/Engineer Approval

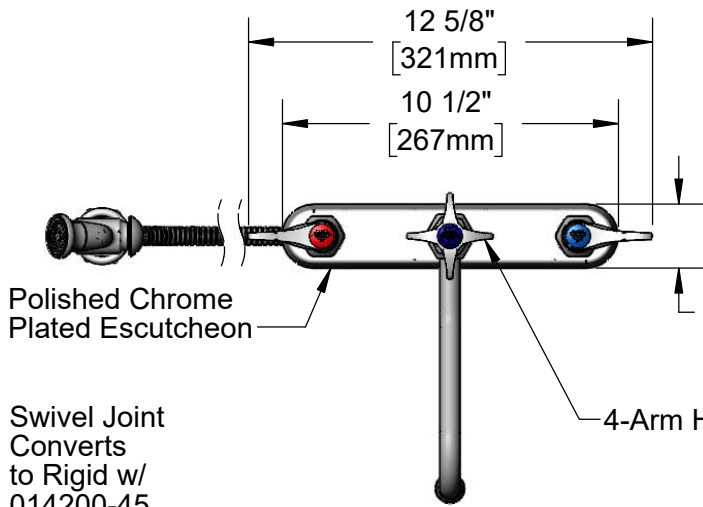
Job Name _____ Date _____

Model Specified _____ Quantity _____

Customer/Wholesaler _____

Contractor _____

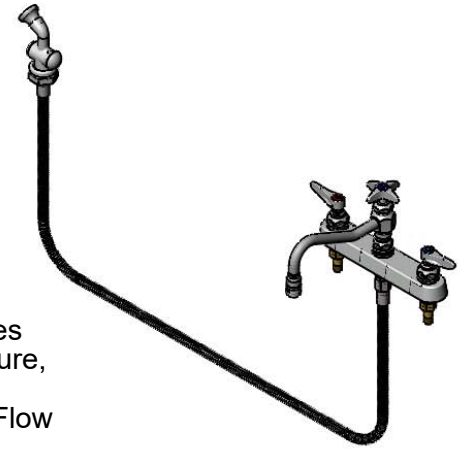
Architect/Engineer _____



Polished Chrome Plated Escutcheon

Swivel Joint Converts to Rigid w/ 014200-45 Lock Washer (Included)

4-Arm Handle



Opening Faucet Pressurizes Hose. For Full Hose Pressure, Turn 4-Arm Handle Until It Pops Up, Stopping Water Flow Through Nozzle

Quarter-Turn Eterna Cartridges w/ Spring Checks & Lever Handles w/ Color Coded Indexes

Diverter Valve w/ Nozzle & 2.2 GPM Aerator

Spray Valve

3 5/16" [84mm]

6 1/8" [156mm]

5 1/2" [139mm]

7 7/8" [201mm]

B-KF Deck Flange

8" [203mm]

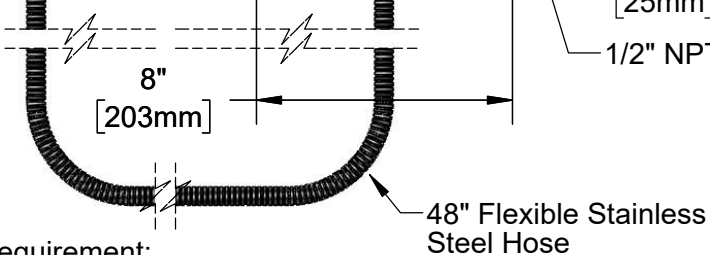
1" [25mm]

1 13/16" [46mm]

Mounting Surface

1/8" [3mm] Maximum Thickness

1/2" NPT Male Inlets



48" Flexible Stainless Steel Hose

(2) 150A Optional Tailpiece & Nut for 1/4" NPT Connection (Included)

Rough-In Requirement:
Faucet: (3) ϕ 1" [25mm] Mounting Holes
Deck Flange: ϕ 1 9/16" [40mm] Mounting Hole

Product Specifications:
8" Deck Mount Workboard Mixing Faucet, Quarter-Turn Eterna Cartridges w/ Spring Checks, Lever Handles, Diverter Valve w/ 7 7/8" Swing Nozzle, 2.2 GPM Aerator, 48" Flexible Stainless Steel Hose, Spray Valve w/ 2.2 GPM Rosespray, Deck Flange & 1/2" NPT Male Inlets

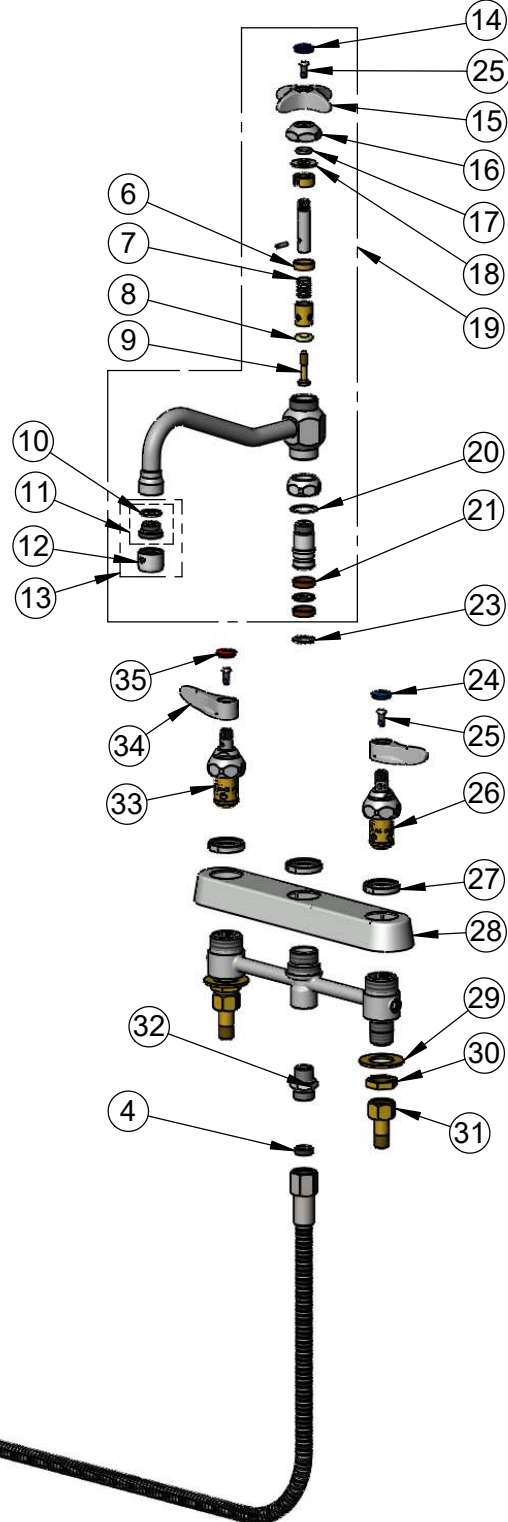
Product Compliance:
ASME A112.18.1 / CSA B125.1
NSF 61 - Section 9
NSF 372 (Low Lead Content)
2019 DOE PRSV Non-Compliant



T&S BRASS AND BRONZE WORKS, INC.
 2 Saddleback Cove / P.O. Box 1088
 Travelers Rest, SC 29690

Model No.
B-1152
 Item No.

Travelers Rest, SC: 800-476-4103 • Simi Valley, CA: 800-423-0150 • Fax: 864-834-3518 • www.tsbrass.com



ITEM NO.	SALES NO.	DESCRIPTION
1	002857-40	2.2 GPM Spray Valve Assembly
2	001010-40	Washer, Stainless Steel
3	B-KF	Protective Flange
4	010476-45	#27 Washer
5	013E-48H	48" Flexible Stainless Steel Hose
6	000875-20	Washer
7	000893-45	Spring
8	001084-45	Seat Washer
9	000832-20	Stem Diverter Bottom
10	001043-45	Washer
11	044A	3/8" to Aerator Adapter
12	B-0199-01	2.2 GPM Aerator, 55/64-27 UN Female
13	B-0199-02	2.2 GPM Aerator, 3/8" NPSM Male
14	019959-45	Press-In Diverter Index
15	002521-45NS	4-Arm Handle (New Style)
16	000881-40	Bonnet Nut
17	001075-45	O-ring, Nitrile -111
18	001047-45	Washer, Santoprene
19	002878-40	Diverter Valve w/ Nozzle & 2.2 GPM Aerator Outlet
20	009538-45	Swivel Washer
21	011429-45	Swivel Sleeves (2)
22	001074-45	O-Ring
23	014200-45	Star Washer, Anti-Rotation
24	018506-19NS	Blue Button Index, Press-in
25	000925-45	Lab Handle Screw
26	012442-40NS	Quarter-Turn New Style Eterna Cartridge w/ Spring Check, LTC
27	019376-40	Escutcheon Lock Nut
28	019375-40	B-1120 Eterna Workboard Escutcheon
29	000999-45	Brass Lock Washer
30	002954-45	Shank Lock Nut
31	002601-45	Washer
32	053A	Adapter, 3/8" NPT Male
33	012443-40NS	Quarter-Turn New Style Eterna Cartridge w/ Spring Check, RTC
34	001638-45NS	Lever Handle (New Style)
35	001193-19NS	Red Button Index, Press-in

Product Specifications:

8" Deck Mount Workboard Mixing Faucet, Quarter-Turn Eterna Cartridges w/ Spring Checks, Lever Handles, Diverter Valve w/ 7 7/8" Swing Nozzle, 2.2 GPM Aerator, 48" Flexible Stainless Steel Hose, Spray Valve w/ 2.2 GPM Rosespray, Deck Flange & 1/2" NPT Male Inlets

Product Compliance:

ASME A112.18.1 / CSA B125.1
 NSF 61 - Section 9
 NSF 372 (Low Lead Content)
 2019 DOE PRSV Non-Compliant