



# T&S BRASS AND BRONZE WORKS, INC.

2 Saddleback Cove / P.O. Box 1088  
Travelers Rest, SC 29690

Model No.

**B-2313**

Item No.

Travelers Rest, SC: 800-476-4103 • Simi Valley, CA: 800-423-0150 • Fax: 864-834-3518 • www.tsbrass.com

This Space for Architect/Engineer Approval

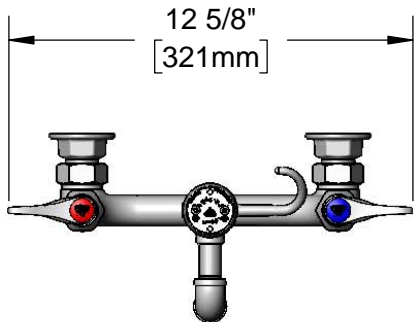
Job Name \_\_\_\_\_ Date \_\_\_\_\_

Model Specified \_\_\_\_\_ Quantity \_\_\_\_\_

Customer/Wholesaler \_\_\_\_\_

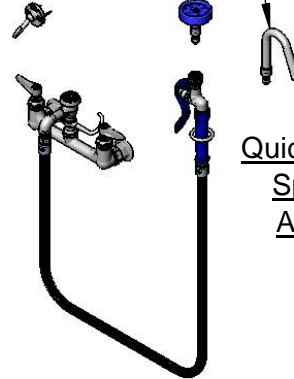
Contractor \_\_\_\_\_

Architect/Engineer \_\_\_\_\_



B-1421 Quick Disconnect Spray Valve

B-1424 Quick Disconnect Hook Nozzle



Quick Disconnect Spray Valve Accessories

EB-1420 Quick Disconnect Spray Valve



B-0104-D Wall Hook



Finger Hook

Quarter-Turn Eterna Cartridges w/ Spring Checks & Lever Handles w/ Color Coded Indexes

Ø2" [51mm] Flanges w/ 1/2" NPT Female Inlets

3 11/16" [94mm]

B-0968 3/8" NPT Vacuum Breaker

3 7/16" [87mm]

4 9/16" [116mm]

3" [76mm]

2 3/8" [61mm]

8" [203mm]

EB-0068-H 68" Flexible Stainless Steel Hose

Adjustable From 7 3/4" to 8 1/4" [197mm to 210mm]

**Product Specifications:**

8" Wall Mount Mixing Faucet, Quarter-Turn Eterna Cartridges w/ Spring Checks, Lever Handles, 3/8" NPT Vacuum Breaker, 68" Flexible Stainless Steel Hose, Quick Disconnect Spray Valve w/ Blue Handle & Blue Quick Disconnect Spray Valve, Quick Disconnect Hook Nozzle & 1/2" NPT Female Inlets

**Product Compliance:**

ASME A112.18.1 / CSA B125.1  
NSF 61 - Section 9  
NSF 372 (Low Lead Content)  
ASSE 1001 (VB)  
EPA Act 2005 Non-Compliant (PRSV)

# T&S BRASS AND BRONZE WORKS, INC.

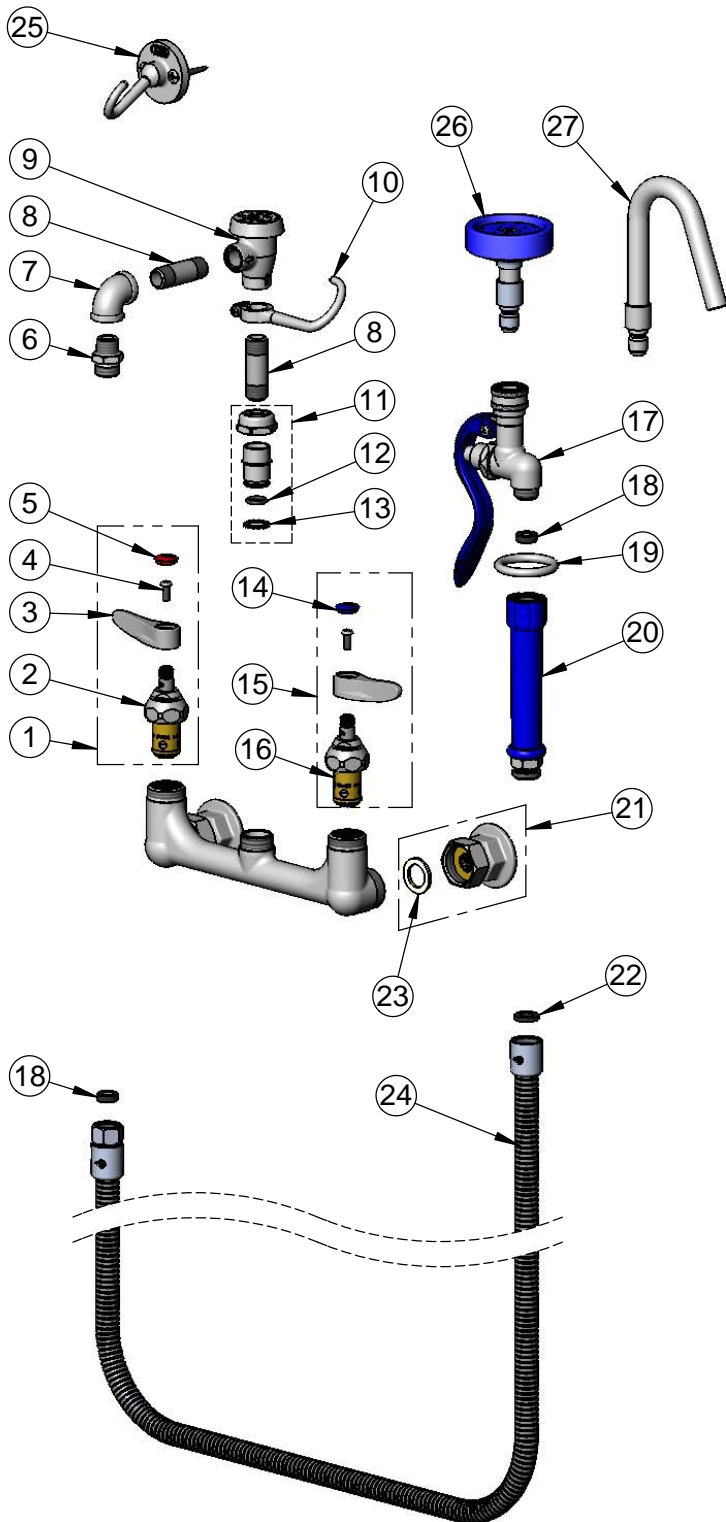
2 Saddleback Cove / P.O. Box 1088  
Travelers Rest, SC 29690

Model No.

**B-2313**

Item No.

Travelers Rest, SC: 800-476-4103 • Simi Valley, CA: 800-423-0150 • Fax: 864-834-3518 • www.tsbrass.com



ITEM NO.	SALES NO.	DESCRIPTION
1	002712-40NS	Quarter-Turn Eterna Cartridge w/ Spring Check, Handle, Red Index & Screw, RTC
2	012443-40NS	Quarter-Turn Eterna Cartridge w/ Spring Check, RTC
3	001638-45NS	Lever Handle (New Style)
4	000925-45	Lab Handle Screw
5	001193-19NS	Red Button Index, Press-in
6	053A	Adapter, 3/8" NPT Male
7	001355-40	Elbow, 3/8 NPT
8	000357-40	Nipple, 3/8" NPT x 2"
9	B-0968	3/8" NPT Vacuum Breaker
10	004R	Finger Hook
11	EZ-K	EasyInstall Kit
12	001065-45	O-Ring
13	014200-45	Star Washer, Anti-Rotation
14	018506-19NS	Blue Button Index, Press-in
15	002711-40NS	Quarter-Turn Eterna Cartridge w/ Spring Check, Handle, Blue Index & Screw, LTC
16	012442-40NS	Quarter-Turn Eterna Cartridge w/ Spring Check, LTC
17	EB-1420	Quick Disconnect Spray Valve
18	010476-45	#27 Washer
19	000907-45	Spray Valve Hold Down Ring
20	011482-40	Blue Grip Handle
21	00AA	1/2" NPT Female Eccentric Flange
22	001014-45	Washer, B-0100 Hose Barrel
23	001019-45	Coupling Nut Washer
24	B-0068-H2A	68" Flexible Stainless Steel Hose, Less Handle
25	B-0104-D	Wall Hook
26	B-1421	Quick Disconnect High Flow Spray
27	B-1424	Quick Disconnect Hook Nozzle

**Product Specifications:**

8" Wall Mount Mixing Faucet, Quarter-Turn Eterna Cartridges w/ Spring Checks, Lever Handles, 3/8" NPT Vacuum Breaker, 68" Flexible Stainless Steel Hose, Quick Disconnect Spray Valve w/ Blue Handle & Blue Quick Disconnect Spray Valve, Quick Disconnect Hook Nozzle & 1/2" NPT Female Inlets

**Product Compliance:**

ASME A112.18.1 / CSA B125.1  
NSF 61 - Section 9  
NSF 372 (Low Lead Content)  
ASSE 1001 (VB)  
EPA Act 2005 Non-Compliant (PRSV)