



# T&S BRASS AND BRONZE WORKS, INC.

2 Saddleback Cove / P.O. Box 1088  
Travelers Rest, SC 29690

Model No.

**B-5110-CR-LN**

Item No.

Travelers Rest, SC: 800-476-4103 • Simi Valley, CA: 800-423-0150 • Fax: 864-834-3518 • www.tsbrass.com



**ADA Compliant**

This Space for Architect/Engineer Approval

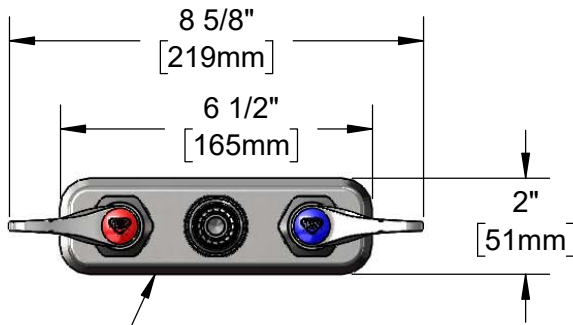
Job Name \_\_\_\_\_ Date \_\_\_\_\_

Model Specified \_\_\_\_\_ Quantity \_\_\_\_\_

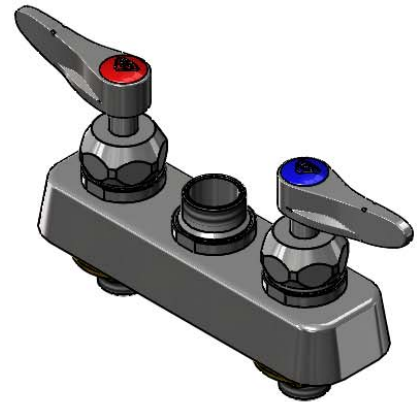
Customer/Wholesaler \_\_\_\_\_

Contractor \_\_\_\_\_

Architect/Engineer \_\_\_\_\_

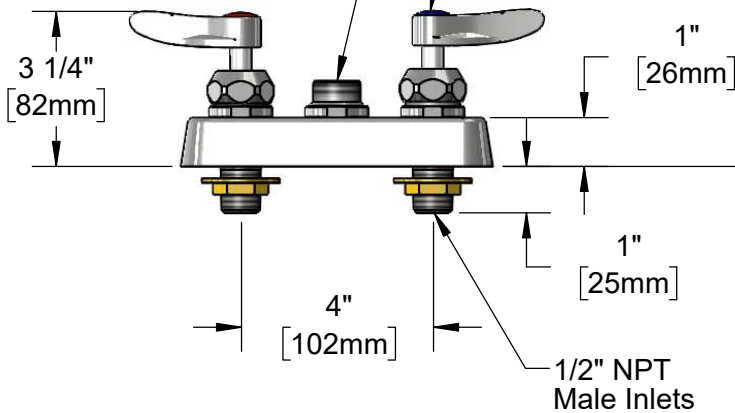


Polished Chrome Plated Escutcheon



Swivel Outlet Accepts Standard T&S Swing Nozzles. Convert to Rigid w/ 014200-45 Lock Washer (Included)

Quarter-Turn Cerama Cartridges w/ Check Valves & Lever Handles w/ Color Coded Indexes



Mounting Surface

(2) 150A Optional Tailpieces & Nuts For 1/4" NPT Connection (Included)

1/4" [6mm] Maximum Thickness

**Rough-In Requirement:**  
(2)  $\varnothing$  1" [25mm] Mounting Holes

**Product Specifications:**  
4" Deck Mount Workboard Faucet Less Nozzle, Quarter-Turn Cerama Cartridges w/ Check Valves, Lever Handles & 1/2" NPT Male Inlets

**Product Compliance:**  
ASME A112.18.1 / CSA B125.1  
NSF 61 - Section 9  
NSF 372 (Low Lead Content)  
ANSI A117.1 (ADA)



# T&S BRASS AND BRONZE WORKS, INC.

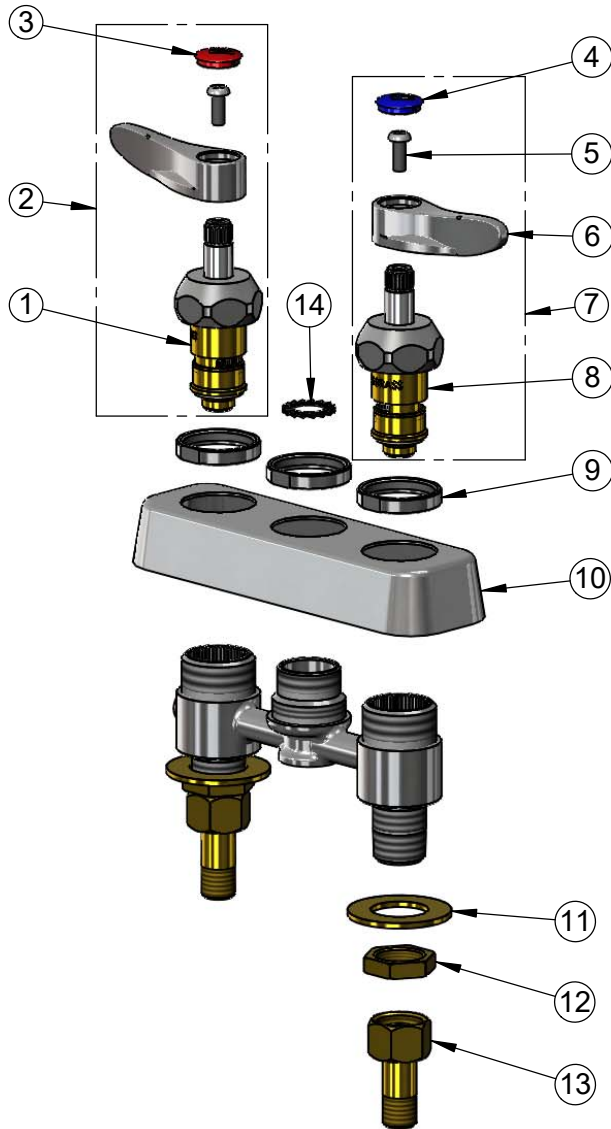
2 Saddleback Cove / P.O. Box 1088  
Travelers Rest, SC 29690

Model No.

**B-5110-CR-LN**

Item No.

Travelers Rest, SC: 800-476-4103 • Simi Valley, CA: 800-423-0150 • Fax: 864-834-3518 • www.tsbrass.com



ITEM NO.	SALES NO.	DESCRIPTION
1	012394-25NS	Quarter-Turn Cerama Cartridge w/ Check Valve, RTC
2	012446-25NS	Quarter-Turn Cerama Cartridge w/ Check Valve, Handle, Red Index & Screw, RTC
3	001193-19NS	Red Button Index, Press-in
4	018506-19NS	Blue Button Index, Press-in
5	000925-45	Lab Handle Screw
6	001638-45NS	Lever Handle (New Style)
7	012447-25NS	Quarter-Turn Cerama Cartridge w/ Check Valve, Handle, Blue Index & Screw, LTC
8	012395-25NS	Quarter-Turn Cerama Cartridge w/ Check Valve, LTC
9	019376-40	Escutcheon Lock Nut
10	019611-40	4" c/c Brass Escutcheon
11	000999-45	Brass Lock Washer
12	002954-45	Shank Lock Nut
13	150A	1/4" NPT Tailpiece & Nut
14	014200-45	Star Washer, Anti-Rotation

**Product Specifications:**

4" Deck Mount Workboard Faucet Less Nozzle, Quarter-Turn Cerama Cartridges w/ Check Valves, Lever Handles & 1/2" NPT Male Inlets

**Product Compliance:**

ASME A112.18.1 / CSA B125.1  
NSF 61 - Section 9  
NSF 372 (Low Lead Content)  
ANSI A117.1 (ADA)