

Schedule 40

Perfect Fit™ 400/401

Stoppers, Knobs, and Bodies determined by tub closure selected

Perfect Fit™ 420/421

ABS Plastic Stopper, Plastic Knob, Brass Body, Chrome PP only



Full Kits
(with Tee and Pipe):
Model 400
Model 420

Not Shown: Half Kits (No Tee or Pipe)

Model 401: Stoppers, Knobs, Strainer Bodies determined by type of tub closure, i.e., Lift and Turn, etc.

Model 421-PP: ABS Plastic Stopper and Knob, Brass Strainer Body, Chrome PP only

Sturdy 1.5" Schedule 40 PVC or ABS Solvent Weld Assembly

SPECIFICATIONS

FEATURES:

- Adjustable flange allows a tight-fitting overflow flange on a wide range of tub angles.
- The only tool needed for the adjustment is a HAND!
- Reversible tee and elbow for direct-drain application

PATENTS:

- see <http://watcomfg.com/Watco/patents/> for details

THREADS (Strainer Body and Drain Elbow):

- 1³/₈" – 16 NPSM (Fine Thread)
- 1.625" Major Diameter (outside thread diameter)
- 16 threads per inch

PIPING: PVC ABS



See price list for complete item numbers and available options.

When ordering, please specify complete item number and any applicable option codes.

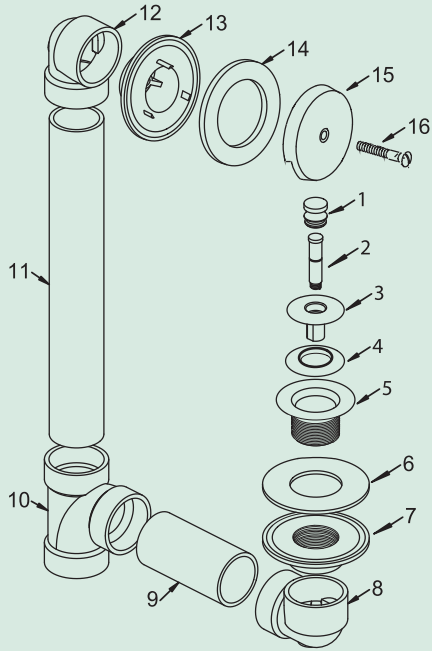


For More Information Contact:
WATCO Manufacturing Company
1220 South Powell Road
Independence, MO 64057-2724
Ph. 816-796-3900 • FAX 816-796-0875
www.watcomfg.com

Finishes Available in the 400/401 Series:

Tub Closures:	PUSH PULL®	LIFT & TURN	PRESFLO®	FOOT ACT.
CP - Chrome Plated	•	•	•	•
AB - Antique Brass	•	•		
AP - Aged Pewter	•	•	•	
BB - Brushed Bronze	•	•	•	
BN - Brushed Nickel	•	•	•	•
BO - Bone	•	•		
BS - Biscuit	•	•		
BZ - Oil-Rubbed Bronze	•	•	•	•
CB - Chrome Brushed	•	•	•	
NP - Nickel Polished	•	•	•	•
PB - Polished Brass	•	•	•	•
PN - Pearl Nickel	•	•	•	
WH - White	•	•		
WI - Wrought Iron	•	•	•	

400 Series Parts List



Half-kits consist of Parts 1 thru 8, and 12 thru 16.

Model 420/421: 1. 11309CP PP Plastic Knob, Chrome
3. 11290CP PP Plastic Stopper, Chrome

Item Part # Description

1. 01010CPKnob, metal
2. 11510.....Friction Ring (11505) and Post (11532)
3. 01013CPStopper, metal
4. 11507Seal, 1 1/16" dia.
5. 01022CPStrainer Body, 1.625" - 16, metal
6. 10693.....Drain Flange Gasket, Perfect Fit™
7. 11022Drain Flange, Perfect Fit™, ABS
14022.....Drain Flange, Perfect Fit™, PVC
8. 11023Drain/Overflow Elbow, Perfect Fit™, ABS
14023.....Drain/Overflow Elbow, Perfect Fit™, PVC
9. SCHABS-4.625...Pipe, Schedule 40, ABS, 1.5" x 4.625"
SCHPVC-4.625...Pipe, Schedule 40, PVC, 1.5" x 4.625"
10. 14011Sanitary Tee, Schedule 40, ABS
14010Sanitary Tee, Schedule 40, PVC
11. SCHABS-11.75...Pipe, Schedule 40, ABS, 1.5" x 11.75"
SCHPVC-11.75...Pipe, Schedule 40, PVC, 1.5" x 11.75"
12. 11023Drain/Overflow Elbow, Perfect Fit™, ABS
14023.....Drain/Overflow Elbow, Perfect Fit™, PVC
13. 11021Overflow Flange, Perfect Fit™, ABS
14021Overflow Flange, Perfect Fit™, PVC
14. 10694.....Overflow Flange Gasket, Perfect Fit™
15. 01002CP1-Hole Overflow Plate
16. 01024CPOverflow Plate Screw, 1/4" - 20 x 2.25"

TUB CLOSURES FOR 400/401-SERIES BATH WASTES (PUSH PULL® ALSO SHOWN ABOVE)

PUSH PULL®
Fine Thread

1. 01010CP
01010__*
2. 11510
3. 01013CP
01013__*
4. 11507
5. 01022CP
01022__*

U.S. Pat. No. 4,720,877

LIFT & TURN
Fine Thread

1. 01010CP
01010__*
2. 11079
3. 11088
4. 11290CP
01013__*
5. 11507
6. 01022CP
01022__*

U.S. Pat. No. 5,758,368

PRESFLO®
Fine Thread

1. 11155CP
11155__*
2. 11131
3. 11070CP
11070__*
4. 96039:
Suction Cup
for removing
stopper

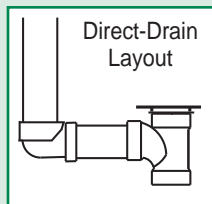
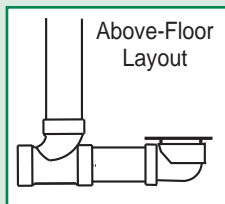
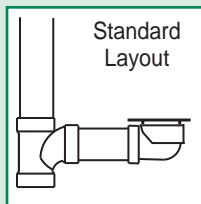
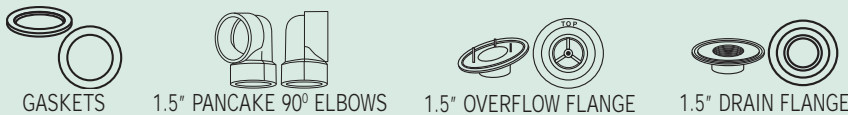
U.S. Pat. No. 4,457,030

FOOT ACTUATED
Fine Thread

1. 38412CP
38412__*
2. 01022CP
01022__*

**If finish other than Chrome is desired, please use this part number and indicate desired finish.*

The secret to Perfect Fit's perfect fit...



Roughing-In Dimensions:

