

For Commercial Applications

Job Name _____
 Job Location _____
 Engineer _____
 Approval _____
 Tag _____

Contractor _____
 Approval _____
 Contractor's P.O. No. _____
 Representative _____

FD-340-Y Area Drain with 12" Fixed Top Specification

Watts FD-340-Y epoxy coated cast iron area drain with anchor flange, weepholes, 12 1/2"(318) diameter fixed top with ductile iron grate, and no hub (standard) outlet.

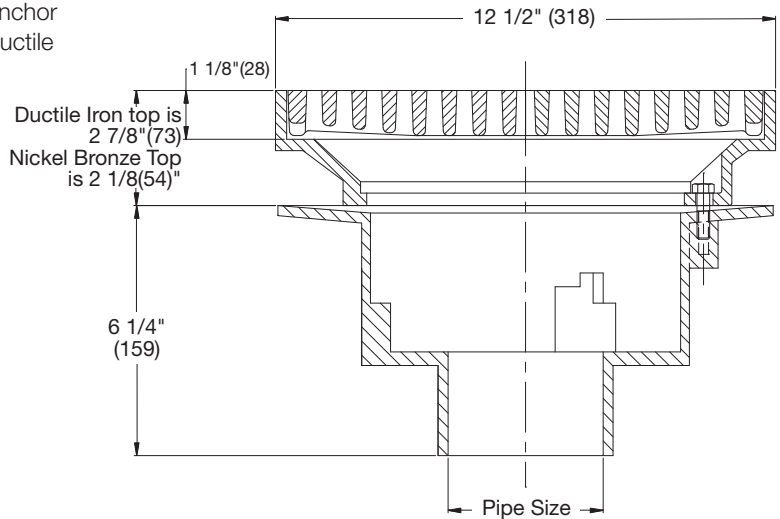
Pipe Sizing (Select One)		
Suffix	Description	
-2	2"(51) Pipe Size	<input type="checkbox"/>
-3	3"(76) Pipe Size	<input type="checkbox"/>
-4	4"(102) Pipe Size	<input type="checkbox"/>
-5	5"(127) Pipe Size (NH Only)	<input type="checkbox"/>
-6	6"(152) Pipe Size	<input type="checkbox"/>
-8	8"(203) Pipe Size (NH Only)	<input type="checkbox"/>

Outlet Type (Select One)		
Suffix	Description	
NH	No Hub (MJ)	<input type="checkbox"/>
P	Push On	<input type="checkbox"/>
T	Threaded Outlet	<input type="checkbox"/>
X	Inside Caulk	<input type="checkbox"/>

Options (Select One or More)		
Suffix	Description	
-1	Nickel Bronze Top	<input type="checkbox"/>
-5	Sediment Bucket	<input type="checkbox"/>
-6	Vandal Proof	<input type="checkbox"/>
-7	Trap Primer Tapping	<input type="checkbox"/>
-8	Backwater Valve (2, 3, 4" Only)	<input type="checkbox"/>
-13	Galvanized Body	<input type="checkbox"/>
-21	Secondary Strainer	<input type="checkbox"/>
-34	Closure Plug	<input type="checkbox"/>
-DG	Dome Grate	<input type="checkbox"/>
-SB	Shallow Body 2 3/4" Deep (3",4", 6", NH/P, 8" NH Only)	<input type="checkbox"/>
-SO	Side Outlet (2, 3, 4" Only)	<input type="checkbox"/>

NOTE: Funnels Sold Separately

- F4-50 4" Round Cast Iron Funnel
- F4-1 4" Round Nickel Bronze Funnel
- F6-1 6" Round Nickel Bronze Funnel
- G-50 4x9" Oval Cast Iron Funnel
- G-1 4x9" Oval Nickel Bronze Funnel



Load Rating	Free Area Sq. In.
XHD	37

Please refer to watts.com for BAA information on specific models.

NOTICE

The load classifications are in accordance with the American National Standards ASME A12.21.1M ASME Ratings are as follows:
 XHD - Safe Live Load 7500-10,000 lbs.(3375-4500 kg.)
 The above categories are given as a guide only. Please consult factory.

NOTICE

The information contained herein is not intended to replace the full product installation and safety information available or the experience of a trained product installer. You are required to thoroughly read all installation instructions and product safety information before beginning the installation of this product.

Watts product specifications in U.S. customary units and metric are approximate and are provided for reference only. For precise measurements, please contact Watts Technical Service. Watts reserves the right to change or modify product design, construction, specifications, or materials without prior notice and without incurring any obligation to make such changes and modifications on Watts products previously or subsequently sold.



USA: T: (800) 338-2581 • F: (828) 248-3929 • Watts.com
Canada: T: (888) 208-8927 • F: (888) 479-2887 • Watts.ca
Latin America: T: (52) 55-4122-0138 • Watts.com