

# INSTALLATION INSTRUCTIONS

## Brass Trims for Cycling Valve with Diverter (J-DIV-CSV)



### STEP 1: FIND IMAGE AND/OR PART # OF TRIM THAT YOU PURCHASED



A378-TRIM



A379-TRIM



A372-TRIM



A374-TRIM



A377-TRIM



A385-TRIM



A376-TRIM



A348-TRIM



A349-TRIM



A365-TRIM



A375-TRIM



A362-TRIM



A363-TRIM



A346-TRIM



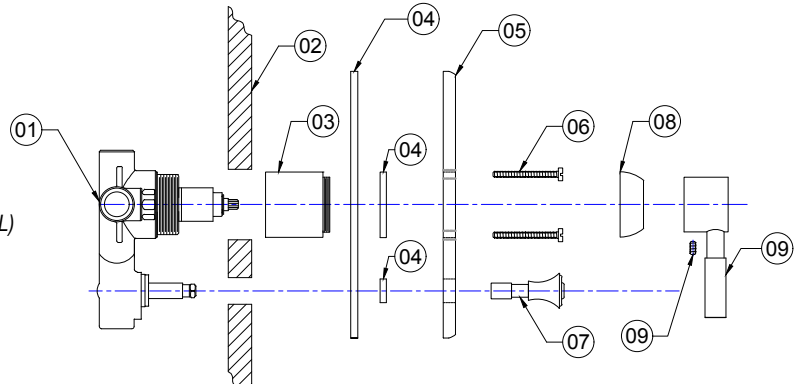
A345-TRIM

CONTINUED →

# STEP 2: FIND YOUR PART NUMBER AND FOLLOW THE STEPS IN PICTURE

## COMPONENTS

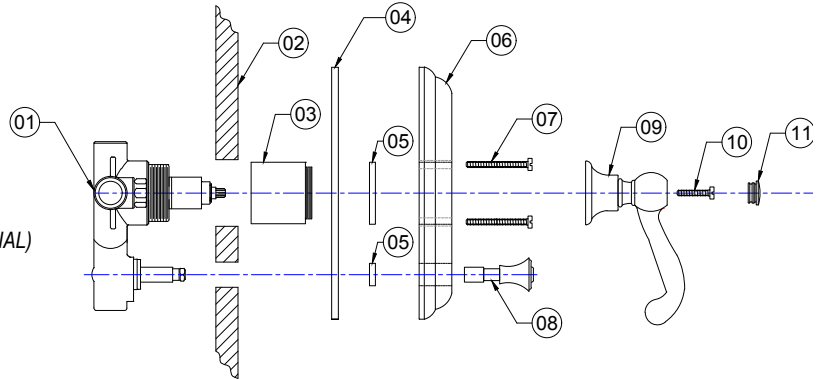
- 01 - J-DIV-CSV
- 02 - WALL
- 03 - VALVE COLLAR - A244-COL-\*\*
- 04 - GASKETS - A275-GASKETS-0
- 05 - FACE PLATE TRIM - VARIES ON MODEL
- 06 - PLATE SCREWS - A244-SCREW-\*\*
- 07 - PULL DIVERTER - C4206-\*\* (CONTEMPO) N4203-\*\* (TRADITIONAL)
- 08 - VALVE CAP - A244-CAP-\*\*
- 09 - HANDLE - VARIES ON MODEL
- 10 - SET SCREW



**A365-TRIM    A346-TRIM**

## COMPONENTS

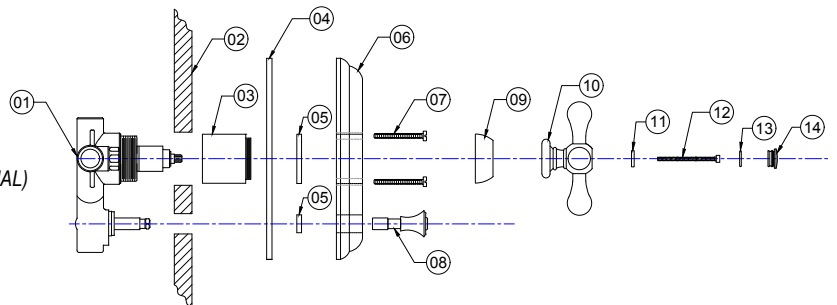
- 01 - J-DIV-CSV
- 02 - WALL
- 03 - VALVE COLLAR - A244-COL-\*\*
- 04 - PLATE GASKET - A275-GASKETS-0
- 05 - GASKETS - A275-GASKETS-0
- 06 - FACE PLATE TRIM - VARIES TO MODEL
- 07 - PLATE SCREWS - A244-SCREW-\*\*
- 08 - PULL DIVERTER - C4206-\*\* (CONTEMPO) N4203-\*\* (TRADITIONAL)
- 09 - HANDLE - VARIES ON MODEL
- 11 - HANDLE SCREW - CSV-SCREW
- 12 - CAP - 30751-B-\*\*



**A377-TRIM    A375-TRIM    A379-TRIM    A372-TRIM    A374-TRIM    A385-TRIM**  
**A376-TRIM    A345-TRIM    A349-TRIM    A362-TRIM    A363-TRIM**

## COMPONENTS

- 01 - J-DIV-CSV
- 02 - WALL
- 03 - VALVE COLLAR - A244-COL-\*\*
- 04 - PLATE GASKET - A275-GASKETS-0
- 05 - GASKETS - A275-GASKETS-0
- 06 - FACE PLATE TRIM - VARIES ON MODEL
- 07 - PLATE SCREWS - A244-SCREW-\*\*
- 08 - PULL DIVERTER - C4206-\*\* (CONTEMPO) / N4203-\*\* (TRADITIONAL)
- 09 - VALVE CAP - A244-CAP-\*\*
- 10 - HANDLE - VARIES ON MODEL
- 11 - WASHER - 30751-13-0
- 12 - HANDLE SCREW - CSV-SCREW
- 13 - "O" RING - 30066-0
- 14 - CAP - 30751-B-\*\*



**A378-TRIM    A348-TRIM**

# INSTALLATION INSTRUCTIONS

## Brass Trims for Cycling Valve (J-CSV)

### STEP 1: FIND IMAGE AND/OR PART # OF TRIM THAT YOU PURCHASED



A468-TRIM



A469-TRIM



A462-TRIM



A464-TRIM



A467-TRIM



A485-TRIM



A466-TRIM



A498-TRIM



A499-TRIM



A492-TRIM



A494-TRIM



A497-TRIM



A495-TRIM



A496-TRIM



A426-TRIM



A448-TRIM



A449-TRIM



A425-TRIM



A562-TRIM



A563-TRIM



A446-TRIM



A445-TRIM



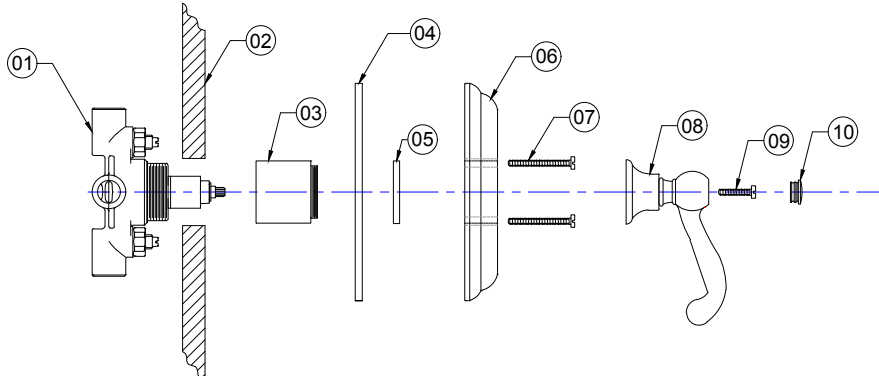
A447-TRIM

CONTINUED →

# STEP 2: FIND YOUR PART NUMBER AND FOLLOW THE STEPS IN PICTURE

## COMPONENTS

- 01 - J-CSV
- 02 - WALL
- 03 - VALVE COLLAR - A244-COL-\*\*
- 04 - PLATE GASKET - A275-GASKETS-0
- 05 - GASKET - A275-GASKETS-0
- 06 - FACE PLATE TRIM - VARIES ON MODEL
- 07 - PLATE SCREWS - A244-SCREW-\*\*
- 08 - HANDLE - VARIES ON MODEL
- 09 - HANDLE SCREW - CSV-SCREW
- 10 - CAP - 30751-B-\*\*



A467-TRIM

A466-TRIM

A485-TRIM

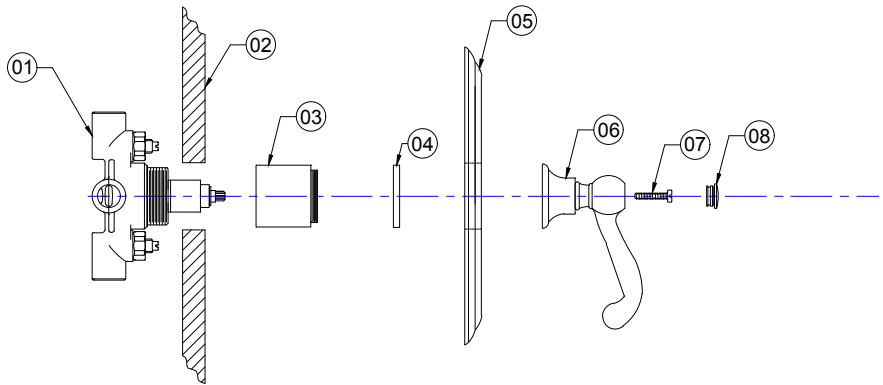
A462-TRIM

A464-TRIM

A469-TRIM

## COMPONENTS

- 01 - J-CSV
- 02 - WALL
- 03 - VALVE COLLAR - A244-COL-\*\*
- 04 - GASKET - A275-GASKETS-0
- 05 - FACE PLATE TRIM - VARIES ON MODEL
- 06 - HANDLE - VARIES ON MODEL
- 07 - HANDLE SCREW - CSV-SCREW
- 08 - CAP - 30751-B-\*\*



A497-TRIM

A496-TRIM

A492-TRIM

A494-TRIM

A495-TRIM

A499-TRIM

A449-TRIM

A425-TRIM

A562-TRIM

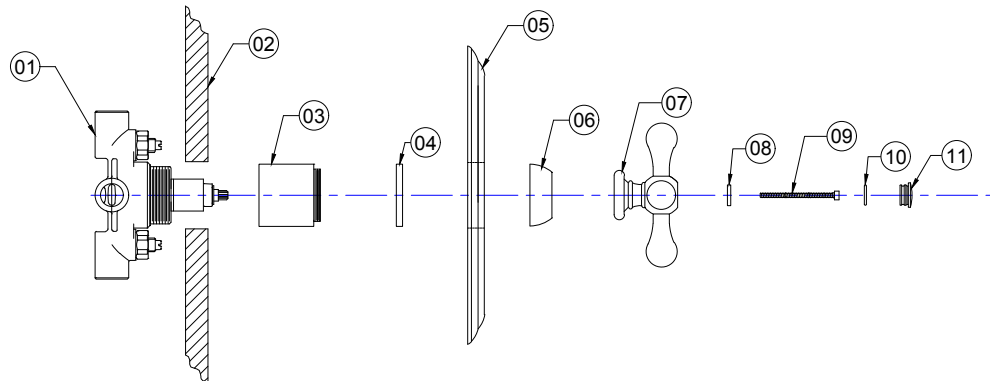
A445-TRIM

A447-TRIM

A563-TRIM

## COMPONENTS

- 01 - J-CSV
- 02 - WALL
- 03 - VALVE COLLAR - A244-COLLAR-\*\*
- 04 - GASKET - A275-GASKETS-0
- 05 - FACE PLATE TRIM - VARIES ON MODEL
- 06 - VALVE CAP - A244-CAP-\*\*
- 07 - HANDLE - VARIES ON MODEL
- 08 - WASHER - 30751-13-0
- 09 - HANDLE SCREW - CSV-SCREW
- 10 - "O" RING - 30066-0
- 11 - CAP - 30751-B-\*\*

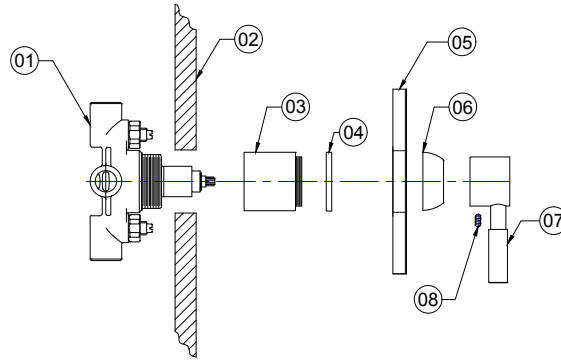


A498-TRIM

A448-TRIM

**COMPONENTS**

- 01 - J-CSV
- 02 - WALL
- 03 - VALVE COLLAR - A244-COL-\*\*
- 04 - GASKET - A275-GASKETS-0
- 05 - FACE PLATE TRIM - VARIES ON MODEL
- 06 - VALVE CAP - A244-CAP-\*\*
- 07 - HANDLE - VARIES ON MODEL
- 08 - SET SCREW

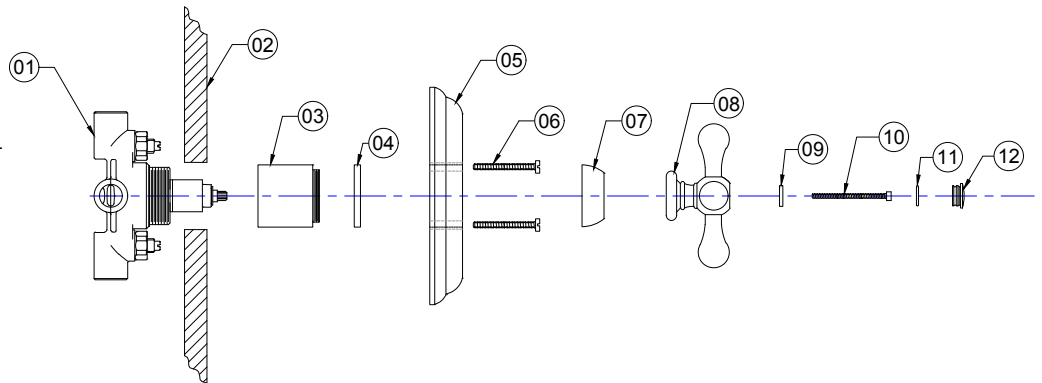


**A426-TRIM**

**A446-TRIM**

**COMPONENTS**

- 01 - J-CSV
- 02 - WALL
- 03 - VALVE COLLAR - A244-COLLAR-\*\*
- 04 - GASKET - A275-GASKETS-0
- 05 - FACE PLATE TRIM - VARIES ON MODEL
- 06 - PLATE SCREWS - A244-SCREW-\*\*
- 07 - VALVE CAP - A244-CAP-\*\*
- 08 - HANDLE - VARIES ON MODEL
- 09 - WASHER - 30751-13-0
- 10 - HANDLE SCREW - CSV-SCREW
- 11 - "O" RING - 30066-0
- 12 - CAP - 30751-B-\*\*



**A468-TRIM**



# INSTALLATION INSTRUCTIONS

# JACLO®

## Brass Trims for Pressure Balance Valve with Diverter (J-DIV-PBV)

Confidence from start to finish.™

### STEP 1: FIND IMAGE AND/OR PART # OF TRIM THAT YOU PURCHASED



A278-TRIM



A276-TRIM



A336-TRIM



A334-TRIM



A335-TRIM



A325-TRIM



A326-TRIM



A327-TRIM



A366-TRIM



A526-TRIM



A527-TRIM



A566-TRIM



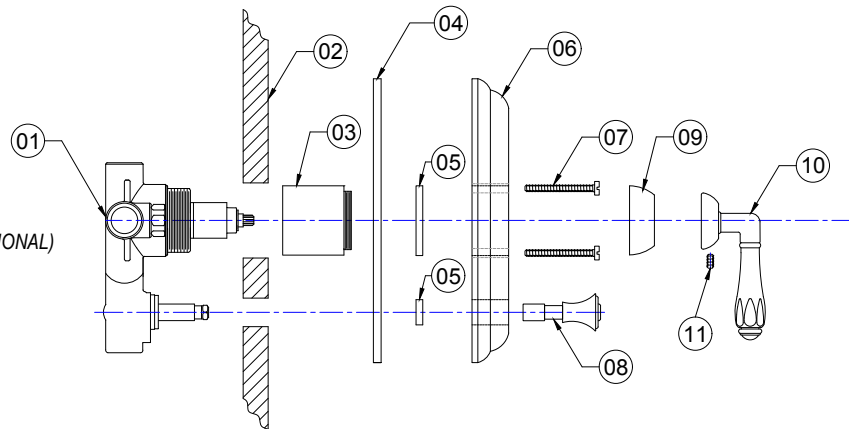
A523-TRIM

CONTINUED →

## STEP 2: FIND YOUR PART NUMBER AND FOLLOW THE STEPS IN PICTURE

### COMPONENTS

- 01 - J-DIV-PBV
- 02 - WALL
- 03 - VALVE COLLAR - A244-COL-\*\*
- 04 - PLATE GASKET - A275-GASKETS-0
- 05 - GASKETS - A275-GASKETS-0
- 06 - FACE PLATE TRIM - VARIES TO MODEL
- 07 - PLATE SCREWS - A244-SCREW-\*\*
- 08 - PULL DIVERter - C4206-\*\* (CONTEMPO) N4203-\*\* (TRADITIONAL)
- 09 - VALVE CAP - A244-CAP-\*\*
- 10 - HANDLE - VARIES ON MODEL
- 11 - SET SCREW



### ALL TRIMS



# INSTALLATION INSTRUCTIONS

## Brass Trims for Pressure Balance Valve (J-PBV)

### STEP 1: FIND IMAGE AND/OR PART # OF TRIM THAT YOU PURCHASED



A268-TRIM



A266-TRIM



A236-TRIM



A234-TRIM



A285-TRIM



A298-TRIM



A296-TRIM



A286-TRIM



A294-TRIM



A295-TRIM



A229-TRIM



A224-TRIM



A226-TRIM



A227-TRIM



A225-TRIM



A228-TRIM



A256-TRIM



A235-TRIM



A255-TRIM



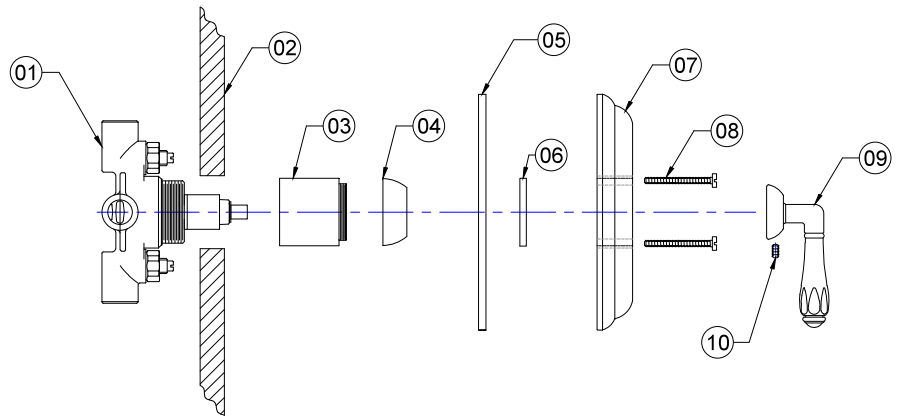
A368-TRIM

CONTINUED →

# STEP 2: FIND YOUR PART NUMBER AND FOLLOW THE STEPS IN PICTURE

## COMPONENTS

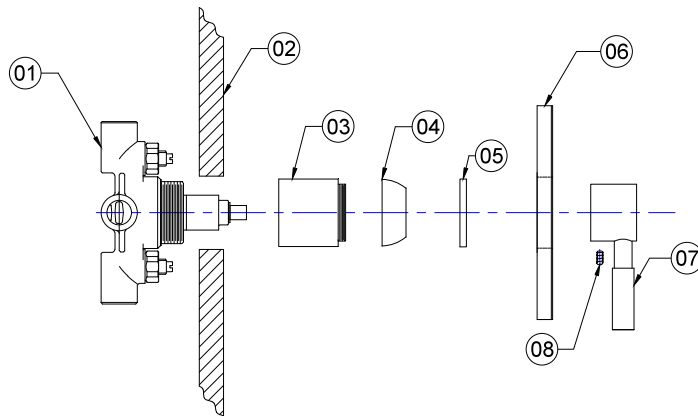
- 01 - J-PBV
- 02 - WALL
- 03 - VALVE COLLAR - A244-COL-\*\*
- 04 - VALVE CAP - A244-CAP-\*\*
- 05 - PLATE GASKET - A275-GASKET-0
- 06 - GASKET - A275-GASKETS-0
- 07 - FACE PLATE TRIM - VARIES ON MODEL
- 08 - PLATE SCREWS - A244-SCREW-\*\*
- 09 - HANDLE - VARIES ON MODEL
- 10 - SET SCREW



- A268-TRIM
- A266-TRIM
- A236-TRIM
- A234-TRIM
- A285-TRIM

## COMPONENTS

- 01 - J-PBV
- 02 - WALL
- 03 - VALVE COLLAR - A244-COL-\*\*
- 04 - VALVE CAP - A244-CAP-\*\*
- 05 - GASKET - A275-GASKETS-0
- 06 - FACE PLATE TRIM - VARIES ON MODEL
- 07 - HANDLE - VARIES ON MODEL
- 08 - SET SCREW



- |           |           |           |
|-----------|-----------|-----------|
| A298-TRIM | A229-TRIM | A235-TRIM |
| A296-TRIM | A224-TRIM | A255-TRIM |
| A286-TRIM | A226-TRIM | A228-TRIM |
| A294-TRIM | A227-TRIM | A256-TRIM |
| A295-TRIM | A225-TRIM | A368-TRIM |



# Over Fifty Years of Excellence Proud to be an American Company



## CARE INSTRUCTIONS

In order to maintain the high quality finish of JACLO products, please adhere to the following product care instructions:

**Cleaning JACLO products:** For routine cleaning, simply use a soft damp cloth and common household soap, then rinse and dry. Proper care of your product is important because most water contains calcium that deposits on surfaces, forming unpleasant spots. This can be avoided by routine cleaning and drying after every use. Use only mild soap detergents. JACLO products may be periodically waxed with non abrasive compounds, such as Flitz® faucet wax.

Never use abrasive cleaners, bleach, disinfectants or cleaning products containing alcohol, ammonia, hydrochloric or phosphoric acids as they will damage the product finish.

**Please note:** Your product warranty may not be valid if the above cleaning guidelines are not followed.

## WARRANTY

**Residential Warranty:** Your new plumbing fixture is warranted by JACLO INDUSTRIES, 129 Dermody Street, Cranford, NJ 07016. This warranty is extended to original consumer purchasers only. This warranty gives you specific legal rights, and you may also have other rights which vary from state to state.

The product (including the finish on the product but excluding any custom finishes and any installation hardware not supplied by JACLO) is warranted to be free from defects in material or workmanship under normal use and service for the lifetime\* of the fixture, so long as the original consumer purchaser owns it. JACLO's sole obligation under this or any other warranty is limited to repairing or replacing at JACLO's option, without labor, any part or parts of the fixture which fail to conform to such warranty.

### JACLO WILL NOT BE LIABLE FOR ANY CONSEQUENTIAL OR INCIDENTAL DAMAGES CAUSED BY A BREACH OF THIS OR ANY OTHER WARRANTY.

Some states do not allow the exclusion of limitation of incidental or consequential damages, so the above limitation may not apply to you.

To secure warranty performance, the original consumer purchaser must have the fixture properly and professionally installed in accordance with all codes and installation instructions.

Items and actions that will void the JACLO warranty are:

- Abuse, misuse, neglect and accidental damage
- Improper cleaning, care and maintenance of the fixture
- Alteration of the fixture in any way including removal of a flow regulator/restrictor

All warranty claims must be made in accordance with the JACLO return policy (see below).

JACLO does not authorize any distributor, retailer or other person to modify this warranty or assume any liability on its behalf with respect to it. Any question regarding the operation of warranty should be addressed to JACLO's warranty department.

\*Due to the unpredictable environment, all kitchen drains, strainers and garbage disposal flanges are warranted for the period of one year from date of purchase from an authorized JACLO dealer.

Un-lacquered Brass (ULB) is a living finish and is excluded from any finish warranty.

**Commercial Warranty:** JACLO offers the above warranty for a period of one year from date of purchase to purchasers of products for industrial, commercial, business and all non-private residential uses.

